

CURRENT TRANSFORMER

Model 5

Window Diameter 1.56"

Application:

With ammeters, wattmeters and cross current compensation.

Frequency:

50 - 400 Hz

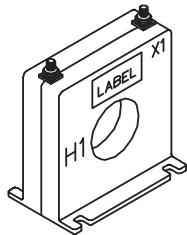
Insulation Level:

600 Volts, 10 kv BIL full wave

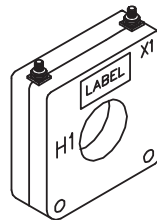
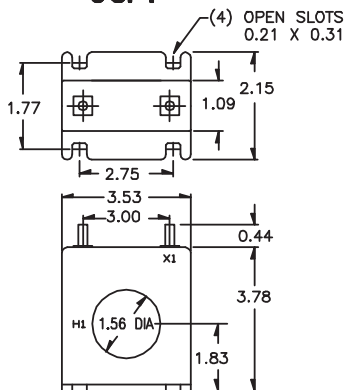


E228202

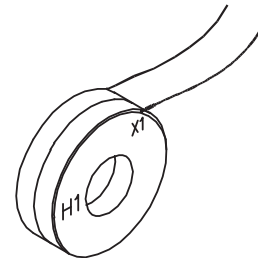
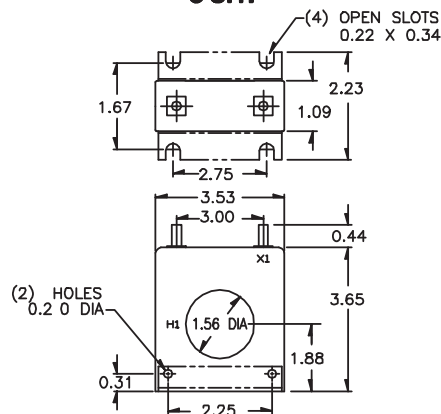
- Flexible leads are UL 1015 105°C, CSA approved
- #16 AWG, 24" long
- Non-standard length to be specified.
- Terminals are brass studs No. 8 - 32 UNC
- with one flat washer, lockwasher and regular nut.
- SHT and SFT case styles also available as SHL
- and SFL with leads.
- Mounting bracket kit B when required for
- Model 5SHT.
- Approximate weight: 1.0 lb.



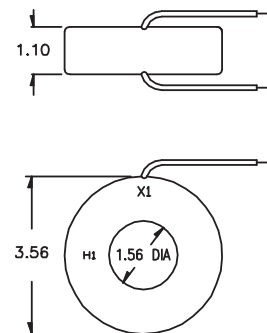
5SFT



5SHT



5RL



CATALOG NUMBER	CURRENT RATIO	ACCURACY AT 60 Hz	BURDEN VA at 60 Hz
5 **- 500	50:5	± 2 %	1.0
5 **- 750	75:5	± 2 %	1.5
5 **- 101	100:5	± 2 %	2.0
5 **- 151	150:5	± 1 %	5.0
5 **- 201	200:5	± 1 %	5.0
5 **- 251	250:5	± 1 %	10.0
5 **- 301	300:5	± 1 %	12.5
5 **- 401	400:5	± 1 %	12.5
5 **- 501	500:5	± 1 %	20.0
5 **- 601	600:5	± 1 %	25.0
* 5 **- 751	750:5	± 1 %	25.0
* 5 **- 801	800:5	± 1 %	25.0
* 5 **- 102	1000:5	± 1 %	25.0
* 5 **- 122	1200:5	± 1 %	30.0

** NOTE: When ordering, prefix Cat No. with model designation required, i.e. 5SFT-500, 5RL-500, etc.