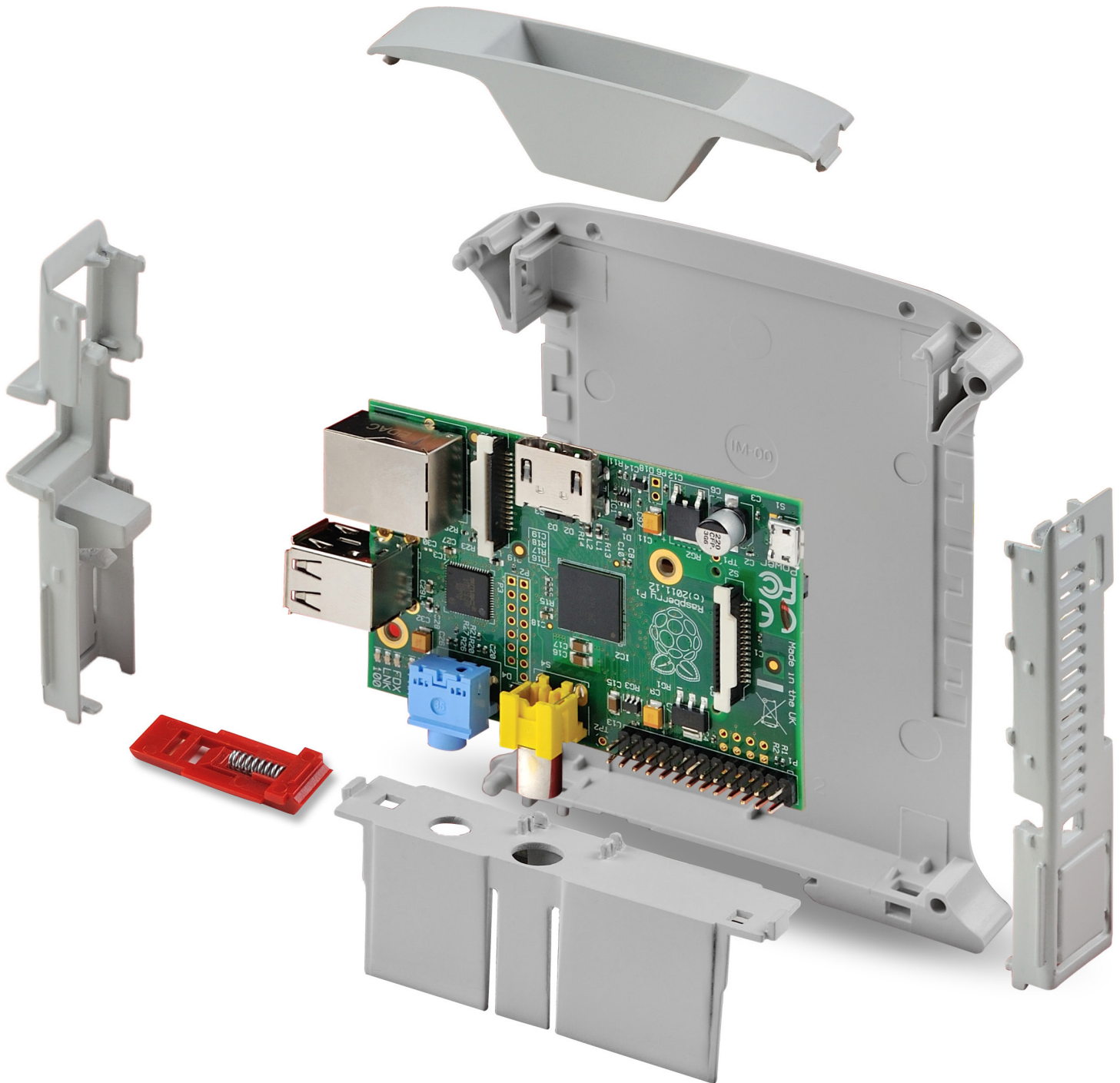


DIN Rail Mounting Enclosures for Embedded Systems

(Manufactured by Italtronic S.R.L. Padova, Italy)



P/N - 10.0052450.RPI



Italtronic Srl. & Hitaltech



Italtronic Srl. based in Padova, Italy design and manufacture an innovative range of plastic enclosures to meet the needs of electronic and electrical applications across varying industries.

Hitaltech are pleased to be the appointed technical sales, marketing and master distributor for the UK market.

Through our knowledge and experience of the product Hitaltech aim to offer design engineers an Italtronic product which can meet their technical requirements.

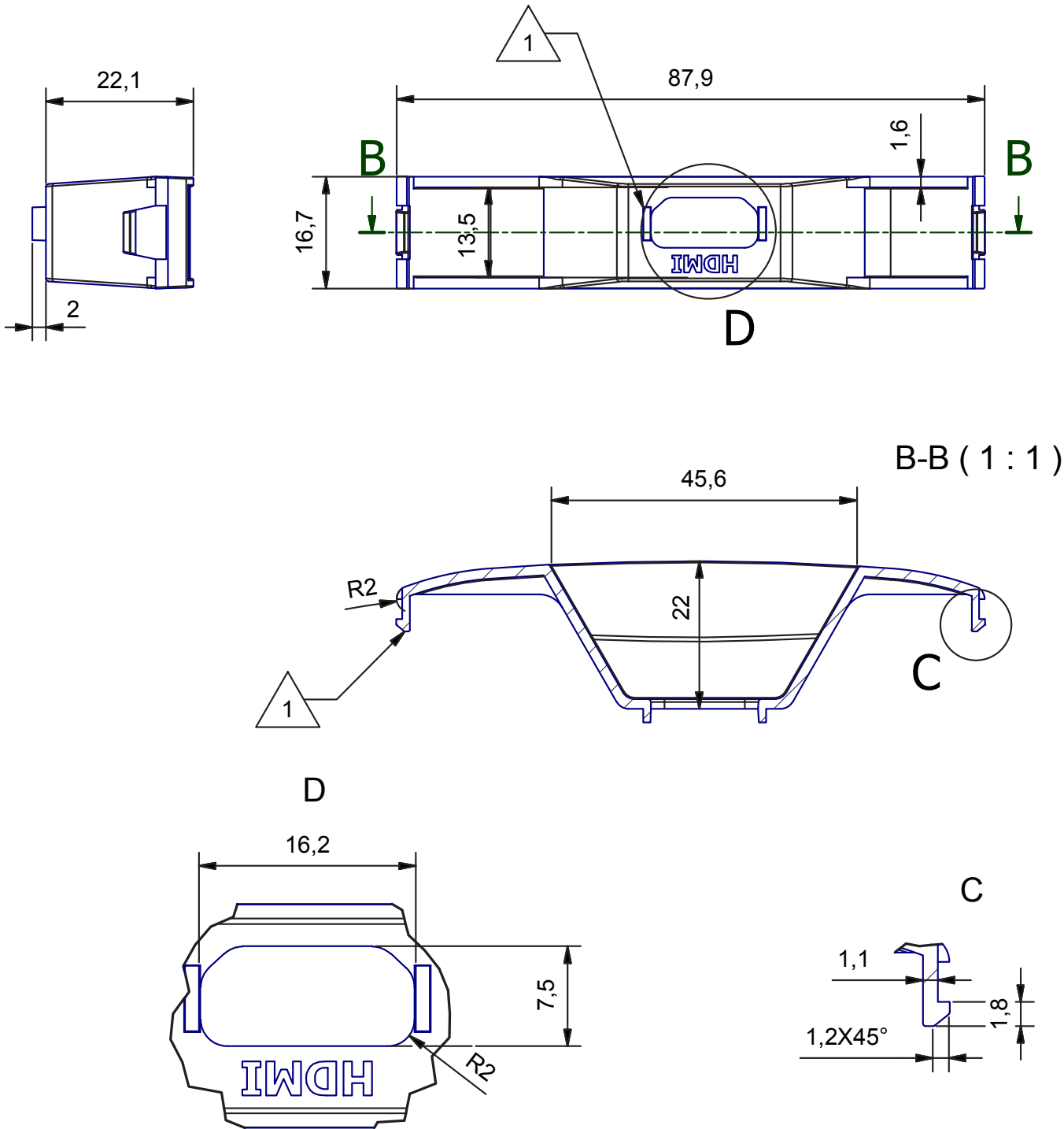
The 45mm Railbox has been modified to offer a DIN Rail mounting solution for the Raspberry Pi.

The Railbox product is a unique and stylish enclosure suitable for electronic applications mounted on a DIN Rail (EN 60715).

The enclosure is mounted vertically therefore saving space on the DIN Rail. This DIN rail mounting enclosure is easily assembled as no screws are required.

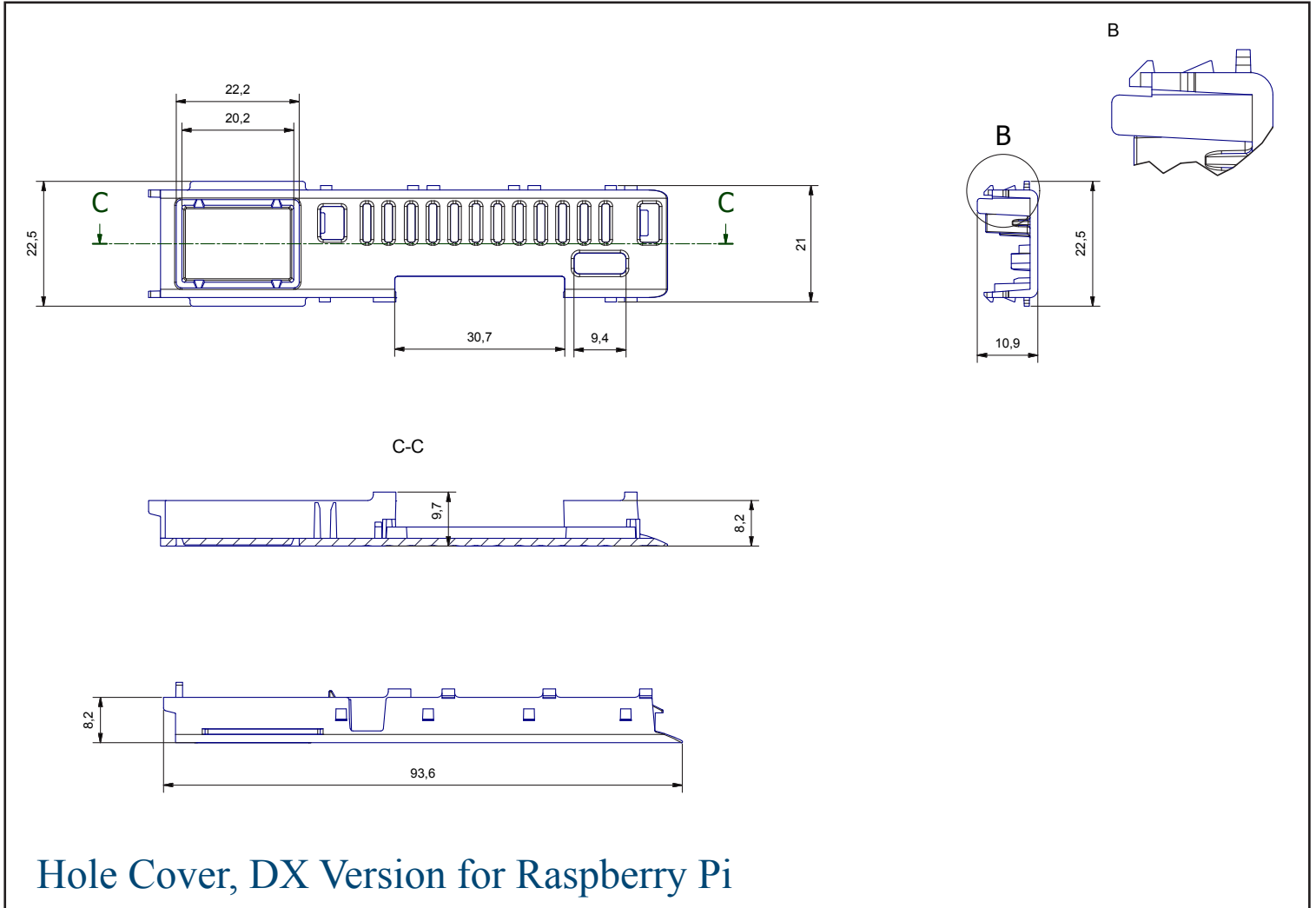
The Railbox for RAspberry Pi is ideal for industrial applications.

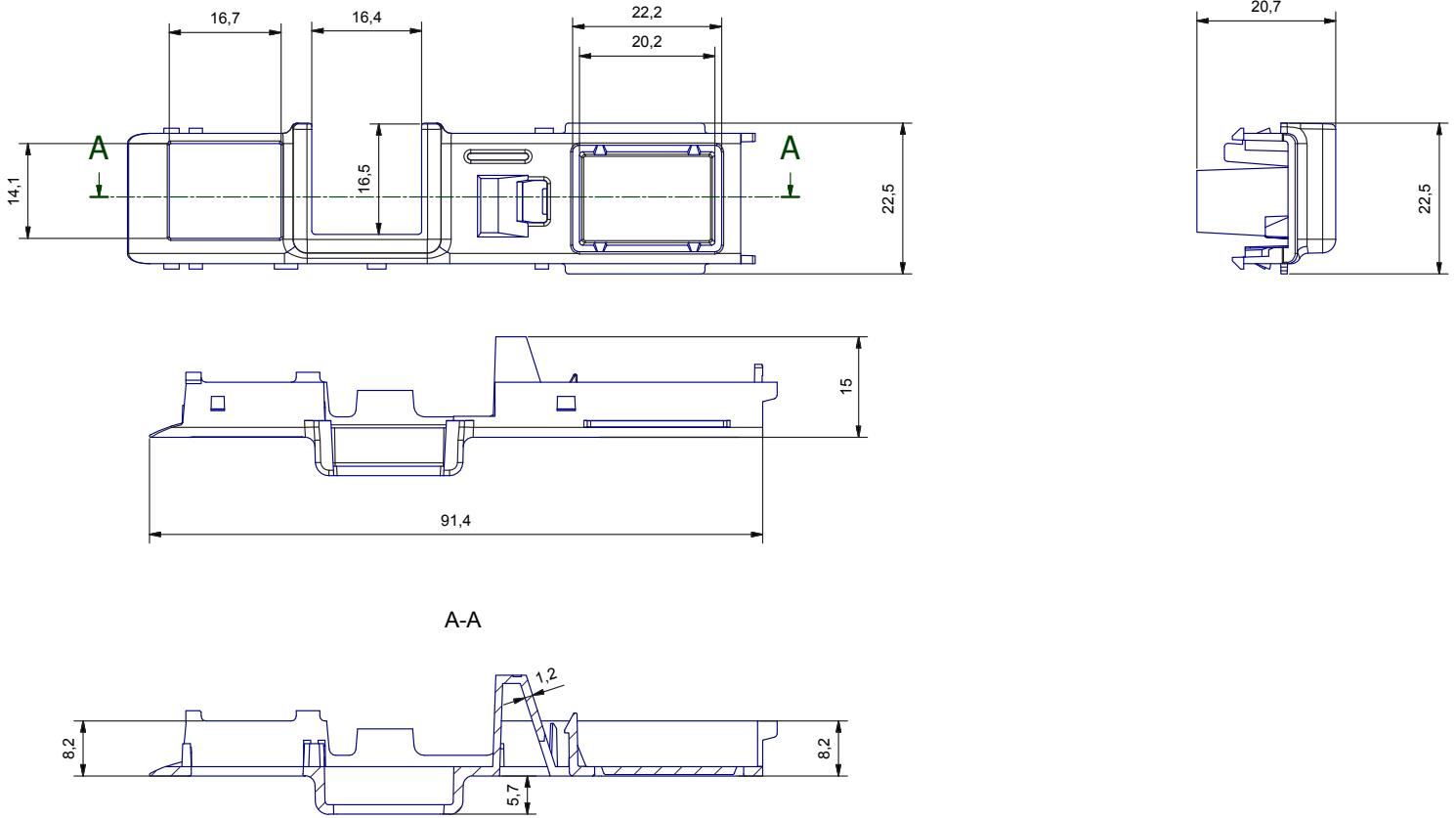




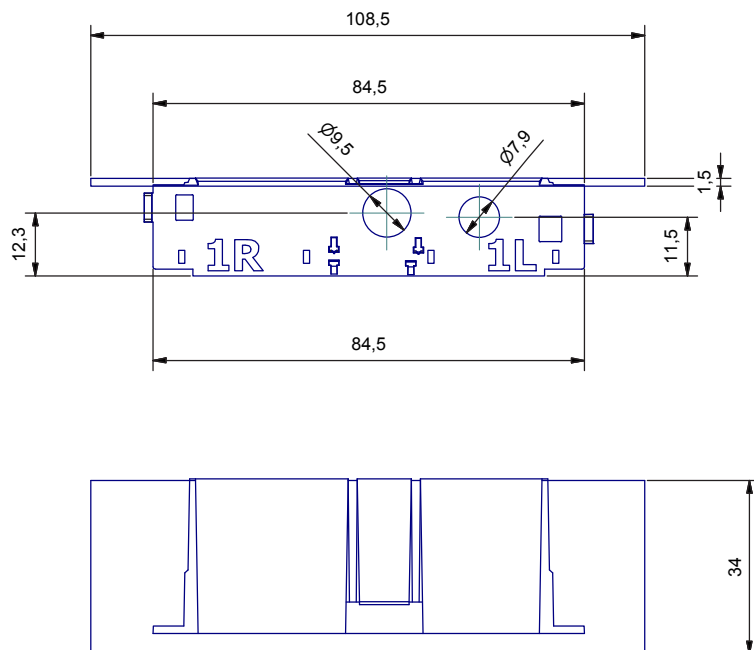
Front Hinged panel with opening for HDMI Cable





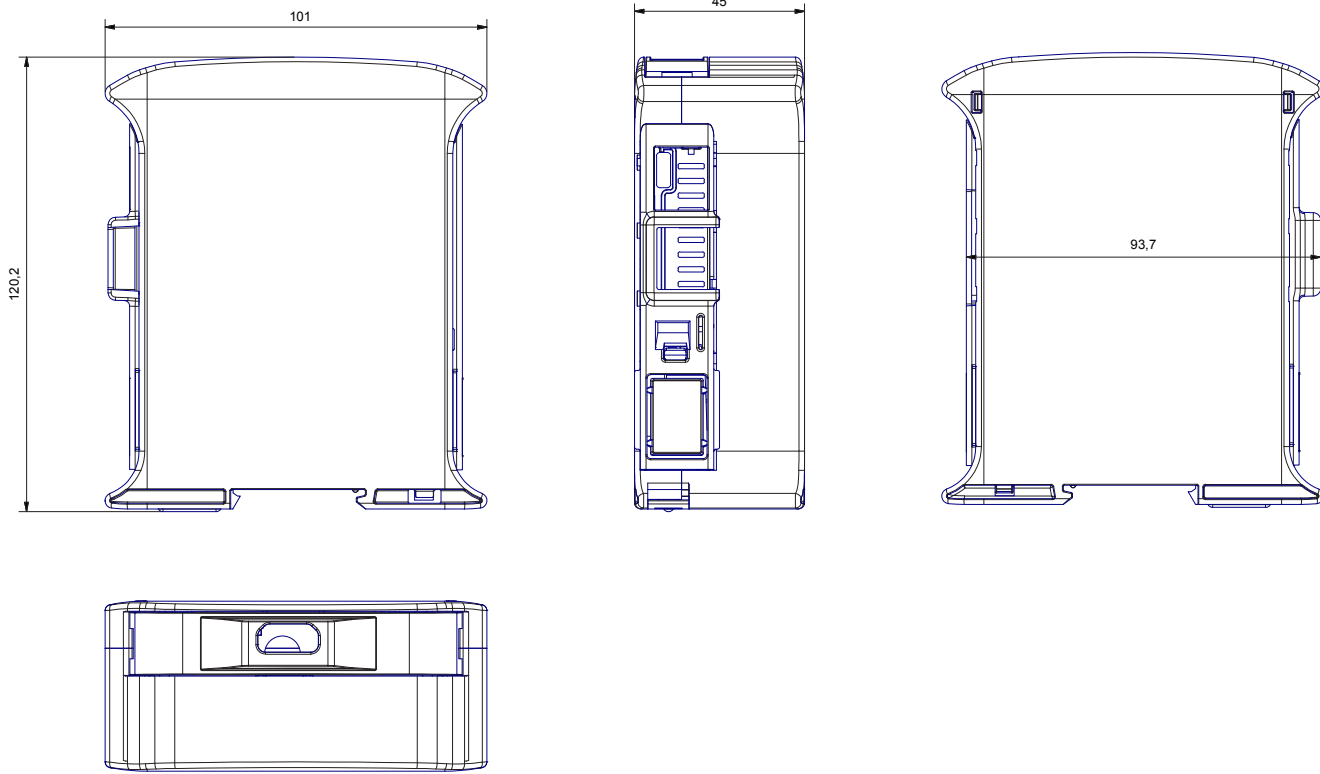


Hole Cover, SX Version for Raspberry Pi

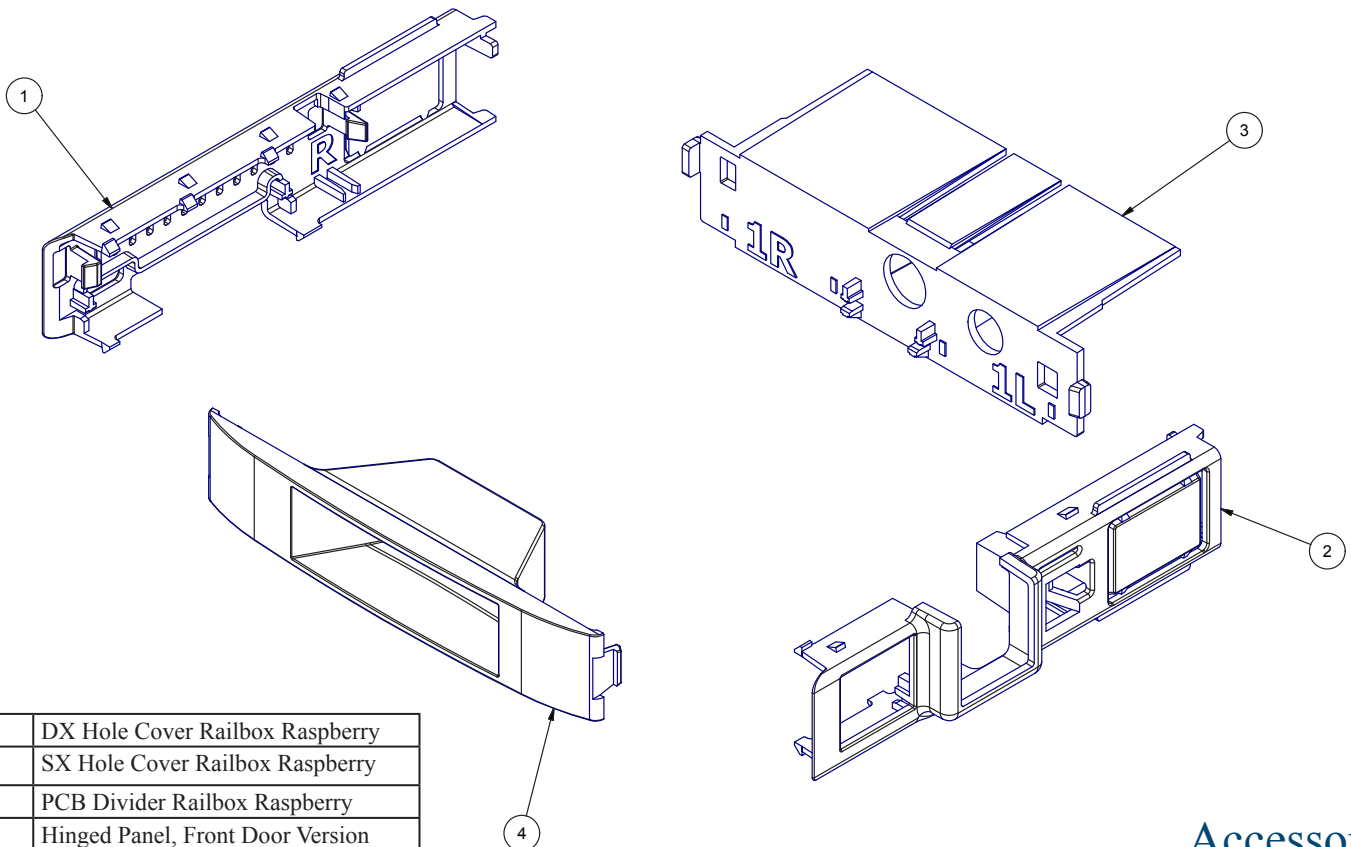


PCB Holder for Raspberry Pi





Railbox 45mm For Raspberry Pi

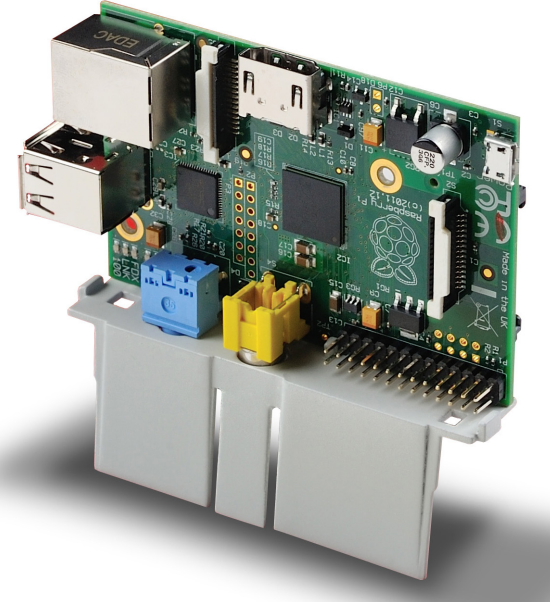


1	DX Hole Cover Railbox Raspberry
2	SX Hole Cover Railbox Raspberry
3	PCB Divider Railbox Raspberry
4	Hinged Panel, Front Door Version

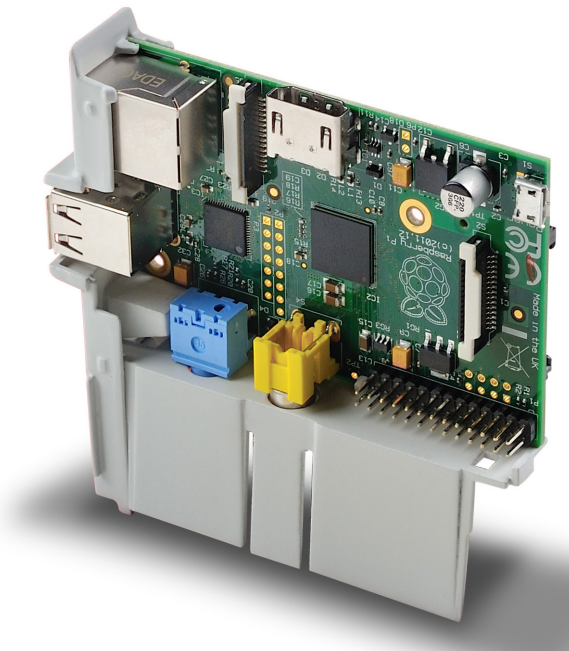
Accessories



Assembly Instructions:



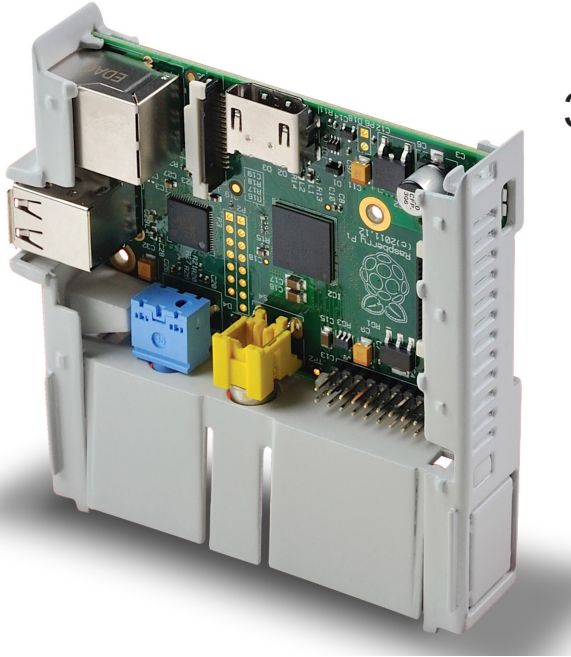
1) Raspberry Pi is inserted into the PCB Divider



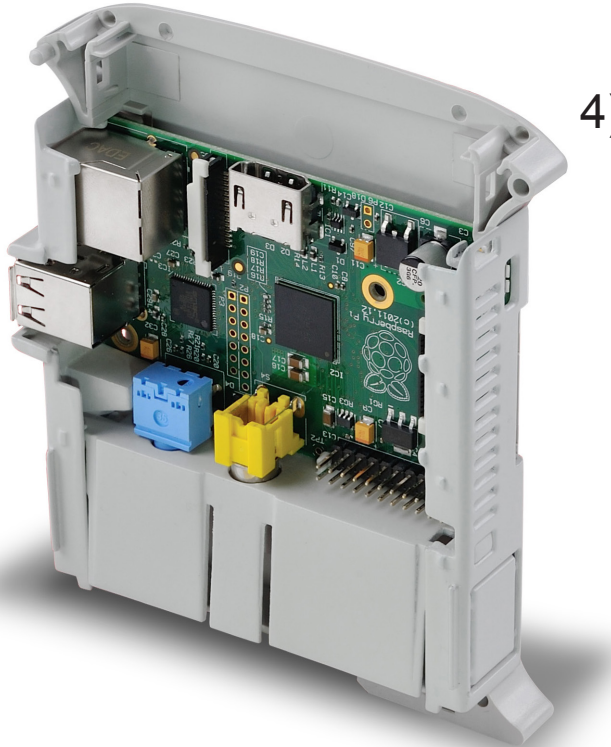
2) Clip SX Hole Cover onto the Raspberry Pi



Assembly Instructions:



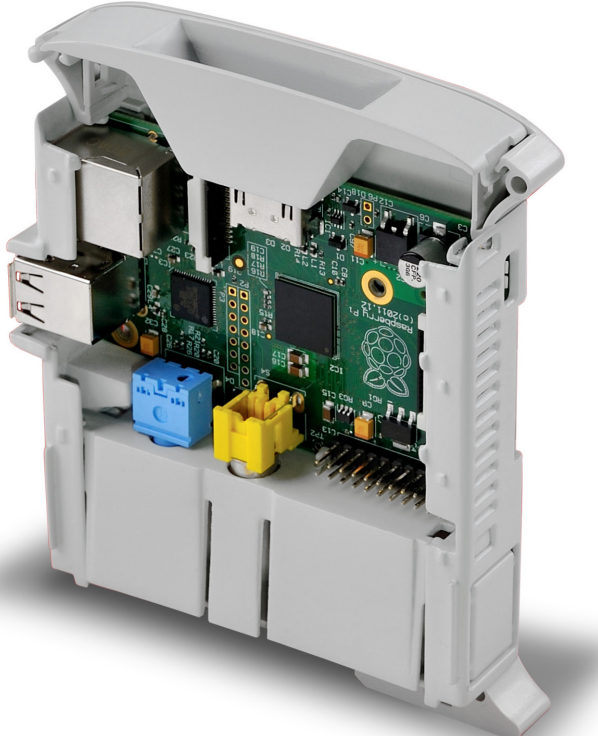
3) Clip DX Hole Cover onto the Raspberry Pi



4) Insert the Raspberry Pi + accessories into the Base of the enclosure



Assembly Instructions:



5) Slide the hinged front panel into position



6) Clip the enclosure cover onto the base.
Insert the DIN rail hook & spring

