

BA Series

Aluminum Cased Resistor



HIGH
POWER

FEATURES

- Three extrusion forms available
- Heatsinkable
- Rugged design
- Up to 1000 watts
- Thermal cut-off available
- Scalable, custom lengths available
- Custom leads available

APPLICATIONS

- Dynamic Braking
- Motor Starting
- Power Control

SERIES SPECIFICATIONS

Series	Wattage*	Resistance range	Tolerance	Length
BA1160	500	0.5Ω - 18KΩ	±10%	160mm
BA2320	700	10Ω - 10KΩ	±10%	320mm
BA3266	1000	10Ω - 10KΩ	±10%	266mm

* Free air rating

CHARACTERISTICS

Overload	5 times rated wattage for 10 sec.
Power Rating	Free air; greater with heatsink
Dielectric Withstanding Voltage	2.5KV, 1 min., 50/60 Hz
Insulation Resistance	≥100MΩ
Working Voltage	≥800V
Surface Temp. Rise	385°C
Wire	UL listed 3199

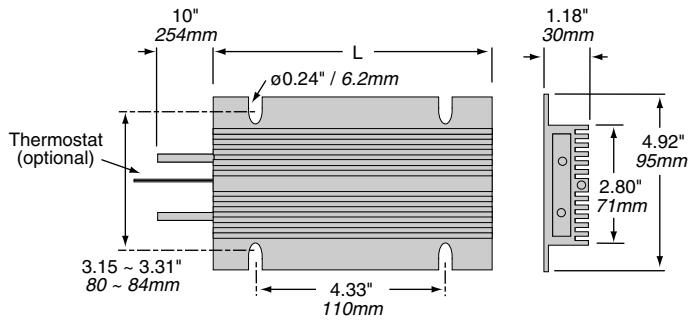
BA Series

Aluminum Cased Resistor

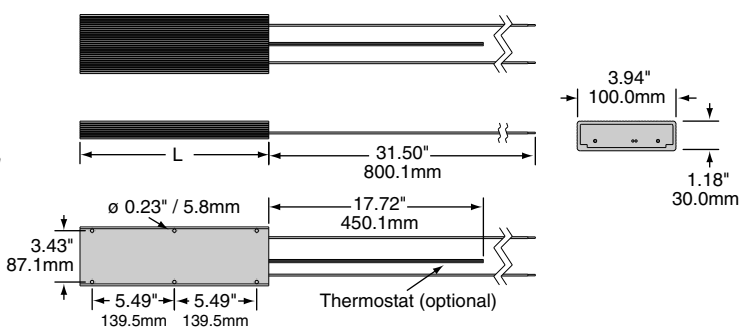
HIGH
POWER

DIMENSIONS

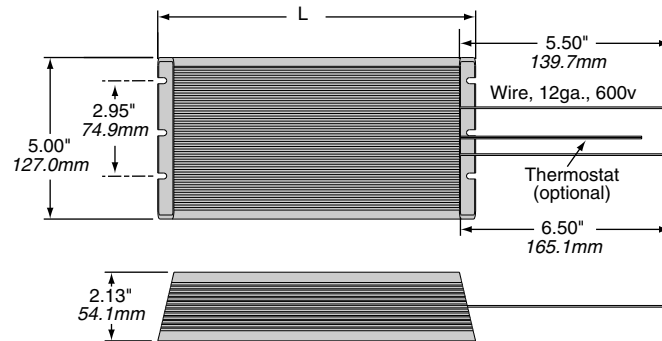
BA1



BA2



BA3



ORDERING INFORMATION

Thermal switch (optional) | Form 1 = extrusion | RoHS Compliant
B A C 1 1 6 0 1 0 0 R K E
 Series | Termination | Length (mm) | Resistance | Tolerance
 B = block aluminum | A = wire leads | | | K = $\pm 10\%$
 B = solid terminals