

TPIC74100EVM User's Guide

User's Guide



Literature Number: SLIU002
September 2008

1	Introduction	5
2	Setup	5
	2.1 Input/Output Connector Description	5
	2.2 Setup.....	6
	2.3 Operation.....	7
3	Board Layout	7
4	Schematic	10
	Important Notices	12

List of Figures

1	Slew Rate Jumper Settings.....	5
2	Low Power Mode Jumper Settings	6
3	Enable Jumper Settings.....	6
4	5Vg Regulated Output Jumper Settings	6
5	Low Pass Filter Inductor Bypass Jumper Settings	6
6	Top Assembly Layer.....	7
7	Bottom Assembly Layer.....	8
8	Top Layer Routing	8
9	Bottom Layer Routing	9
10	TPIC74100EVM Schematic.....	10

List of Tables

1	Device and Package Configurations	5
2	TPIC74100EVM Bill of Materials	11

TPIC74100EVM User's Guide

1 Introduction

The Texas Instruments TPIC74100EVM evaluation module (EVM) helps designers evaluate the operation and performance of the TPIC74100 Switch Mode Power Supply – Buck Regulator. The EVM contains one DC/DC converter (See Table 1).

Table 1. Device and Package Configurations

CONVERTER	IC	PACKAGE
U1	TPIC74100QPWPRQ1	PWP-20

2 Setup

This section describes the jumpers and connectors on the EVM as well and how to properly connect, set up, and use the TPIC74100EVM.

2.1 Input/Output Connector Description

J1 – VBAT is the power input terminal for the converter. The terminal provides power (Vbat).

J2 – GND is the ground terminal for the EVM.

J3 – 5Vg is the power output terminal for the 5Vg regulator output.

J4 – VOUT is the regulated output voltage for the converter.

J5 – GND is a ground terminal for the EVM.

JP1, JP2 – SCR1, SCR0 are jumpers used to set the slew rate of the switching transistor for the L1 terminal switch pin. Jumpers allow the slew rate to be set to four set points.

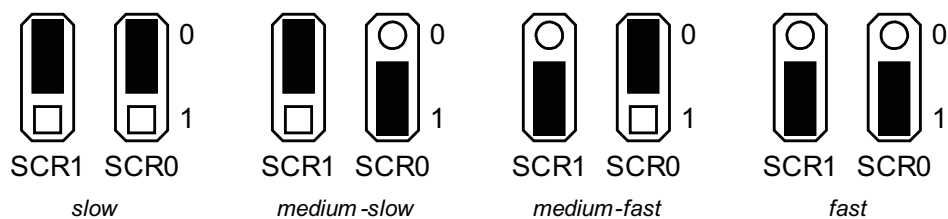


Figure 1. Slew Rate Jumper Settings

JP3 – LPM is the jumper used to enable Low Power Mode. The jumper allows LPM to be enabled or disabled. The device will operate in Normal mode when LPM is disabled.

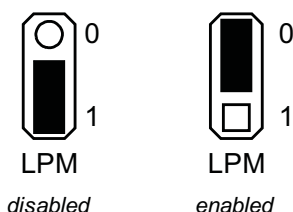


Figure 2. Low Power Mode Jumper Settings

JP4 – Enable is the jumper used to enable the converter. The converter is enabled when the Enable is high and disabled when low. The jumper placement allows the converter to be enabled or disabled.

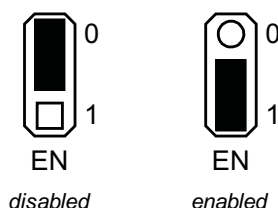


Figure 3. Enable Jumper Settings

JP5 – 5VgEN is the jumper used to enable switched 5V regulated output. The output is enabled when the Enable is high and disabled when low. The jumper placement allows the converter to be enabled or disabled.

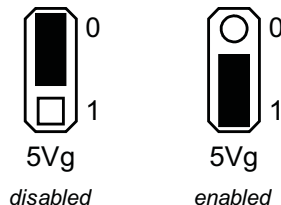


Figure 4. 5Vg Regulated Output Jumper Settings

JP6 – Bypass is the jumper used to bypass the low pass filter inductor on the power supply input to the device. This allows the user to remove the filter from the circuit. The jumper placement allows the inductor to be active or shorted.

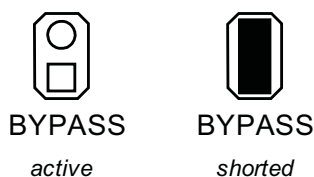


Figure 5. Low Pass Filter Inductor Bypass Jumper Settings

2.2 Setup

The input voltage range for the converter is 1.5 volts to 40 volts. The input voltage must be at least 5 V during start up.

2.3 Operation

For proper operation of the TPIC74100, JP1, JP2, JP3, JP4, JP5, and JP6 should be properly configured. The recommended setting, using shorting blocks:

JP1 and JP2 to Fast

JP3 to Enabled

JP4 to Enabled

JP5 to Enabled, if 5Vg is used

JP6 to Shorted

In this configuration, the device powers up when power is applied. JP1, JP2 SCR0, SCR1 select how switch pin slew rate is set: slow, medium-slow, medium-fast, or fast. JP3 LPM selects how Low Power Mode is set: Enabled or Disabled. JP4 EN turns the device on or off. JP5 5Vg turns the regulated 5-V output on or off. JP6 Bypass disables the low-pass filter located on the input supply to the device.

3 Board Layout

Figure 6, Figure 7, Figure 8, and Figure 9 show the board layout for the TPIC74100EVM PWB. The EVM offers resistors, capacitors, and jumpers to program the switch pin slew rate and regulator turn-on Delay. Jumpers are also provided to enable the device and to enable the low-power mode option.

The TPIC74100 offers high efficiency but does dissipate power. The PowerPAD™ package offers an exposed thermal pad to enhance thermal performance. This must be soldered to the copper landing on the PCB for optimal performance. The PCB provides 1-oz copper planes on the top and bottom to dissipate heat.

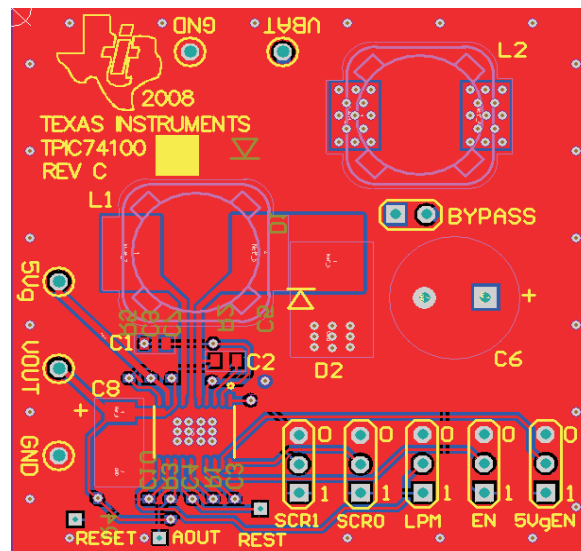


Figure 6. Top Assembly Layer

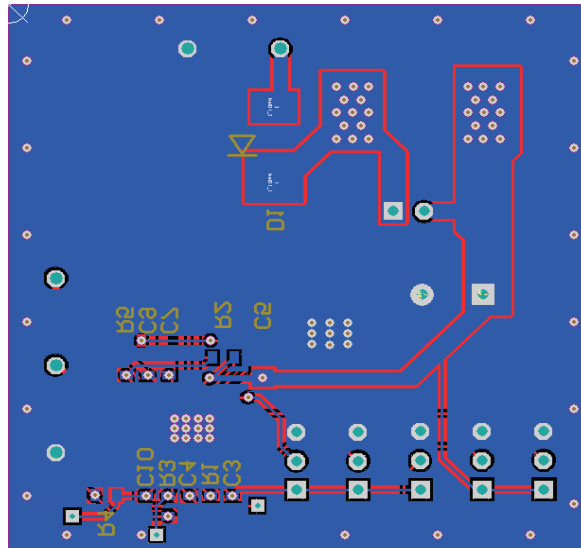


Figure 7. Bottom Assembly Layer

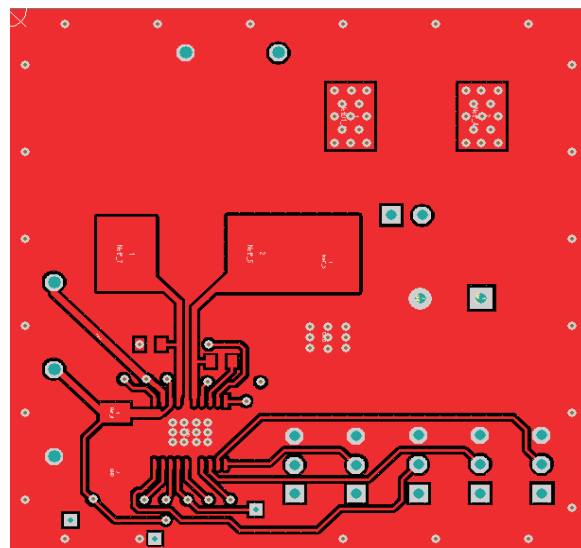


Figure 8. Top Layer Routing

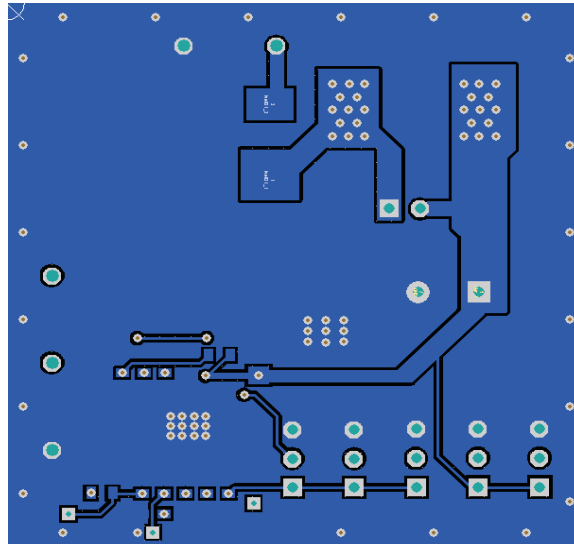


Figure 9. Bottom Layer Routing

4 Schematic

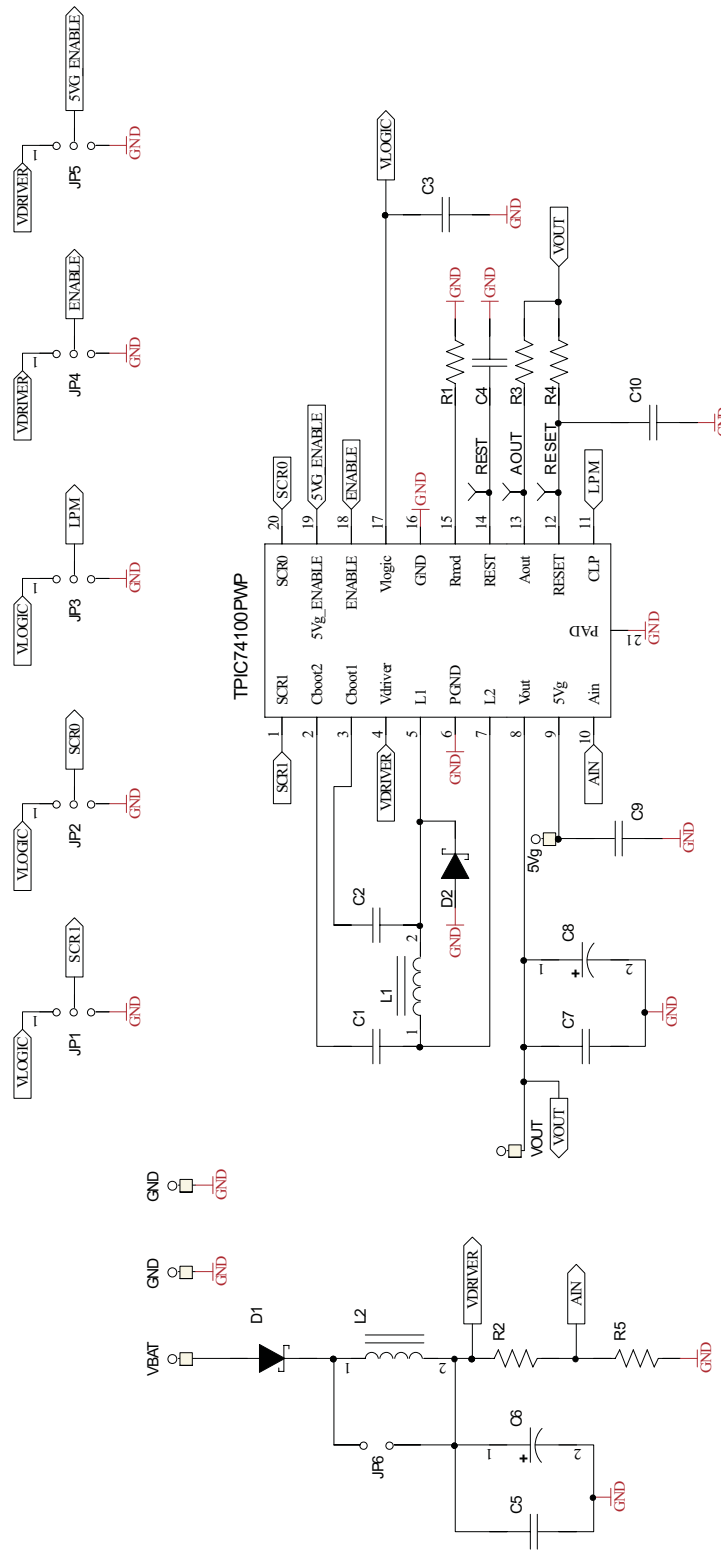


Figure 10. TPIC74100EVM Schematic

Table 2. TPIC74100EVM Bill of Materials

COUNT	REF DES	DESCRIPTION	SIZE	MFR	PART NO.
2	C1, C2	Capacitor, ceramic, 4.7nF, 50V, 10%	0603	muRata	GRM188R71H472KA01B
1	C3	Capacitor, ceramic, 470nF, 16V, 10%	0603	muRata	GRM188R71C474KA88B
2	C4, C7	Capacitor, ceramic, 100nF, 16V, 10%	0603	muRata	GRM188R71C104KA01J
1	C5	Capacitor, ceramic, 100nF, 50V, 10%	1206	muRata	GCM319R71H104KA37B
1	C6	Capacitor, electrolytic, 470uF, 50V, 10%	10mm	Rubycon	35ZL470M10X20
1	C8	Capacitor, tantalum, 47uF, 16V, 20%	6032	Sprague	594D476X0016C2T
1	C9	Capacitor, ceramic, 1uF, 16V, 10%	0603	muRata	GRM188R71C105KA12B
1	C10	Capacitor, ceramic, 10nF, 16V, 10%	0603	muRata	GRM188R71C103KA01B
2	D1, D2	Diode, Schottky, 3A, 100V	SMC	IR	30BQ100
5	J1, J2, J3, J4, J5	Test point, 42-mil	0.042	Std	Std
5	JP1, JP2, JP3, JP4, JP5	Header, 3-pin, 100-mil spacing, (36-pin strip)	0.100 x 3	Sullins	PTC36CAAN
1	JP6	Header, 2-pin, 100-mil spacing, (36-pin strip)	0.100 x 2	Sullins	PTC36CAAN
2	L1, L2	Inductor, SMT, 33-uH, 4.34, 54.9-mΩ	12.3mm x 12.3mm	Coilcraft	MSS1260T-333
1	R1	Resistor, chip, 12.1-kΩ, 1/16W, 1%	0603	Std	Std
1	R2	Resistor, chip, 68.1-kΩ, 1/16W, 1%	0603	Std	Std
2	R3, R4	Resistor, chip, 20-kΩ, 1/16W, 1%	0603	Std	Std
1	R5	Resistor, chip, 33.2-kΩ, 1/16W, 1%	0603	Std	Std
1	U1	IC, TPIC74100QPWPRQ1		TI	TPIC74100QPWP
		PCB, 2.3-inch x 2.3-inch x 0.062		Any	TPIC74100, REV C

EVALUATION BOARD/KIT IMPORTANT NOTICE

Texas Instruments (TI) provides the enclosed product(s) under the following conditions:

This evaluation board/kit is intended for use for **ENGINEERING DEVELOPMENT, DEMONSTRATION, OR EVALUATION PURPOSES ONLY** and is not considered by TI to be a finished end-product fit for general consumer use. Persons handling the product(s) must have electronics training and observe good engineering practice standards. As such, the goods being provided are not intended to be complete in terms of required design-, marketing-, and/or manufacturing-related protective considerations, including product safety and environmental measures typically found in end products that incorporate such semiconductor components or circuit boards. This evaluation board/kit does not fall within the scope of the European Union directives regarding electromagnetic compatibility, restricted substances (RoHS), recycling (WEEE), FCC, CE or UL, and therefore may not meet the technical requirements of these directives or other related directives.

Should this evaluation board/kit not meet the specifications indicated in the User's Guide, the board/kit may be returned within 30 days from the date of delivery for a full refund. **THE FOREGOING WARRANTY IS THE EXCLUSIVE WARRANTY MADE BY SELLER TO BUYER AND IS IN LIEU OF ALL OTHER WARRANTIES, EXPRESSED, IMPLIED, OR STATUTORY, INCLUDING ANY WARRANTY OF MERCHANTABILITY OR FITNESS FOR ANY PARTICULAR PURPOSE.**

The user assumes all responsibility and liability for proper and safe handling of the goods. Further, the user indemnifies TI from all claims arising from the handling or use of the goods. Due to the open construction of the product, it is the user's responsibility to take any and all appropriate precautions with regard to electrostatic discharge.

EXCEPT TO THE EXTENT OF THE INDEMNITY SET FORTH ABOVE, NEITHER PARTY SHALL BE LIABLE TO THE OTHER FOR ANY INDIRECT, SPECIAL, INCIDENTAL, OR CONSEQUENTIAL DAMAGES.

TI currently deals with a variety of customers for products, and therefore our arrangement with the user **is not exclusive.**

TI assumes **no liability for applications assistance, customer product design, software performance, or infringement of patents or services described herein.**

Please read the User's Guide and, specifically, the Warnings and Restrictions notice in the User's Guide prior to handling the product. This notice contains important safety information about temperatures and voltages. For additional information on TI's environmental and/or safety programs, please contact the TI application engineer or visit www.ti.com/esh.

No license is granted under any patent right or other intellectual property right of TI covering or relating to any machine, process, or combination in which such TI products or services might be or are used.

FCC Warning

This evaluation board/kit is intended for use for **ENGINEERING DEVELOPMENT, DEMONSTRATION, OR EVALUATION PURPOSES ONLY** and is not considered by TI to be a finished end-product fit for general consumer use. It generates, uses, and can radiate radio frequency energy and has not been tested for compliance with the limits of computing devices pursuant to part 15 of FCC rules, which are designed to provide reasonable protection against radio frequency interference. Operation of this equipment in other environments may cause interference with radio communications, in which case the user at his own expense will be required to take whatever measures may be required to correct this interference.

EVM WARNINGS AND RESTRICTIONS

It is important to operate this EVM within the input voltage range of -0.3 V to 48 V and the output voltage range of 0.9 V to 18 V .

Exceeding the specified input range may cause unexpected operation and/or irreversible damage to the EVM. If there are questions concerning the input range, please contact a TI field representative prior to connecting the input power.

Applying loads outside of the specified output range may result in unintended operation and/or possible permanent damage to the EVM. Please consult the EVM User's Guide prior to connecting any load to the EVM output. If there is uncertainty as to the load specification, please contact a TI field representative.

During normal operation, some circuit components may have case temperatures greater than 85°C . The EVM is designed to operate properly with certain components above 60°C as long as the input and output ranges are maintained. These components include but are not limited to linear regulators, switching transistors, pass transistors, and current sense resistors. These types of devices can be identified using the EVM schematic located in the EVM User's Guide. When placing measurement probes near these devices during operation, please be aware that these devices may be very warm to the touch.

Mailing Address: Texas Instruments, Post Office Box 655303, Dallas, Texas 75265
Copyright 2008, Texas Instruments Incorporated

IMPORTANT NOTICE

Texas Instruments Incorporated and its subsidiaries (TI) reserve the right to make corrections, modifications, enhancements, improvements, and other changes to its products and services at any time and to discontinue any product or service without notice. Customers should obtain the latest relevant information before placing orders and should verify that such information is current and complete. All products are sold subject to TI's terms and conditions of sale supplied at the time of order acknowledgment.

TI warrants performance of its hardware products to the specifications applicable at the time of sale in accordance with TI's standard warranty. Testing and other quality control techniques are used to the extent TI deems necessary to support this warranty. Except where mandated by government requirements, testing of all parameters of each product is not necessarily performed.

TI assumes no liability for applications assistance or customer product design. Customers are responsible for their products and applications using TI components. To minimize the risks associated with customer products and applications, customers should provide adequate design and operating safeguards.

TI does not warrant or represent that any license, either express or implied, is granted under any TI patent right, copyright, mask work right, or other TI intellectual property right relating to any combination, machine, or process in which TI products or services are used. Information published by TI regarding third-party products or services does not constitute a license from TI to use such products or services or a warranty or endorsement thereof. Use of such information may require a license from a third party under the patents or other intellectual property of the third party, or a license from TI under the patents or other intellectual property of TI.

Reproduction of TI information in TI data books or data sheets is permissible only if reproduction is without alteration and is accompanied by all associated warranties, conditions, limitations, and notices. Reproduction of this information with alteration is an unfair and deceptive business practice. TI is not responsible or liable for such altered documentation. Information of third parties may be subject to additional restrictions.

Resale of TI products or services with statements different from or beyond the parameters stated by TI for that product or service voids all express and any implied warranties for the associated TI product or service and is an unfair and deceptive business practice. TI is not responsible or liable for any such statements.

TI products are not authorized for use in safety-critical applications (such as life support) where a failure of the TI product would reasonably be expected to cause severe personal injury or death, unless officers of the parties have executed an agreement specifically governing such use. Buyers represent that they have all necessary expertise in the safety and regulatory ramifications of their applications, and acknowledge and agree that they are solely responsible for all legal, regulatory and safety-related requirements concerning their products and any use of TI products in such safety-critical applications, notwithstanding any applications-related information or support that may be provided by TI. Further, Buyers must fully indemnify TI and its representatives against any damages arising out of the use of TI products in such safety-critical applications.

TI products are neither designed nor intended for use in military/aerospace applications or environments unless the TI products are specifically designated by TI as military-grade or "enhanced plastic." Only products designated by TI as military-grade meet military specifications. Buyers acknowledge and agree that any such use of TI products which TI has not designated as military-grade is solely at the Buyer's risk, and that they are solely responsible for compliance with all legal and regulatory requirements in connection with such use.

TI products are neither designed nor intended for use in automotive applications or environments unless the specific TI products are designated by TI as compliant with ISO/TS 16949 requirements. Buyers acknowledge and agree that, if they use any non-designated products in automotive applications, TI will not be responsible for any failure to meet such requirements.

Following are URLs where you can obtain information on other Texas Instruments products and application solutions:

Products

Amplifiers	amplifier.ti.com
Data Converters	dataconverter.ti.com
DSP	dsp.ti.com
Clocks and Timers	www.ti.com/clocks
Interface	interface.ti.com
Logic	logic.ti.com
Power Mgmt	power.ti.com
Microcontrollers	microcontroller.ti.com
RFID	www.ti-rfid.com
RF/IF and ZigBee® Solutions	www.ti.com/lprf

Applications

Audio	www.ti.com/audio
Automotive	www.ti.com/automotive
Broadband	www.ti.com/broadband
Digital Control	www.ti.com/digitalcontrol
Medical	www.ti.com/medical
Military	www.ti.com/military
Optical Networking	www.ti.com/opticalnetwork
Security	www.ti.com/security
Telephony	www.ti.com/telephony
Video & Imaging	www.ti.com/video
Wireless	www.ti.com/wireless

Mailing Address: Texas Instruments, Post Office Box 655303, Dallas, Texas 75265
Copyright © 2008, Texas Instruments Incorporated