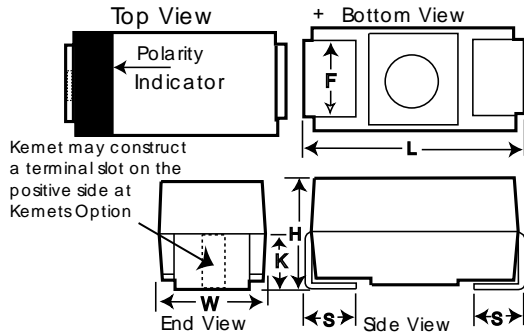


KEMET Part Number: T495X226K035ZTE260
(B45197A6226K509)

Capacitor, Tantalum, SMD, Molded, Low ESR, Surge Robust, 22 uF, 7343, +/-10% Tol, 35V@85C



Dimensions (mm)		
Symbol	Dimension	Tolerance
L	7.3	+/-0.3
W	4.3	+/-0.3
H	4.1	+/-0.3
K	1.8	typ
F	2.4	+/-0.1
S	1.3	+/-0.3

Notes:

-In polarity stripe, at KEMET's option, type may be indicated: see catalog for explanation of symbols

-Old part number [Obsolete] was B45197A6226K509

General Information	
Supplier:	KEMET
Part Type Description:	SMD, Molded, Low ESR, Surge Robust
Construction:	Standard Chip-MnO2

Specifications	
Capacitance:	22 uF
Voltage DC @ 85C:	35V
Voltage DC @ 105C:	29.23V
Voltage DC @ 125C:	23.45V
Tolerance:	+/-10%
Application:	General Purpose/Low ESR
Temperature Range:	-55/+125C
Body Type:	Molded Chip
ESR:	260 mOhm
Footprint:	7343
Termination:	Tin
RoHS:	Yes
Leakage Current:	7.7 uA
Dissipation Factor:	6%
Ripple @ 25C:	0.8 A
Ripple @ 85C:	0.72 A
Ripple @ 125C:	0.32 A

Packaging Specifications	
Package Kind:	T&R
Package Size:	7in
Package Quantity:	400