

## DETAILS

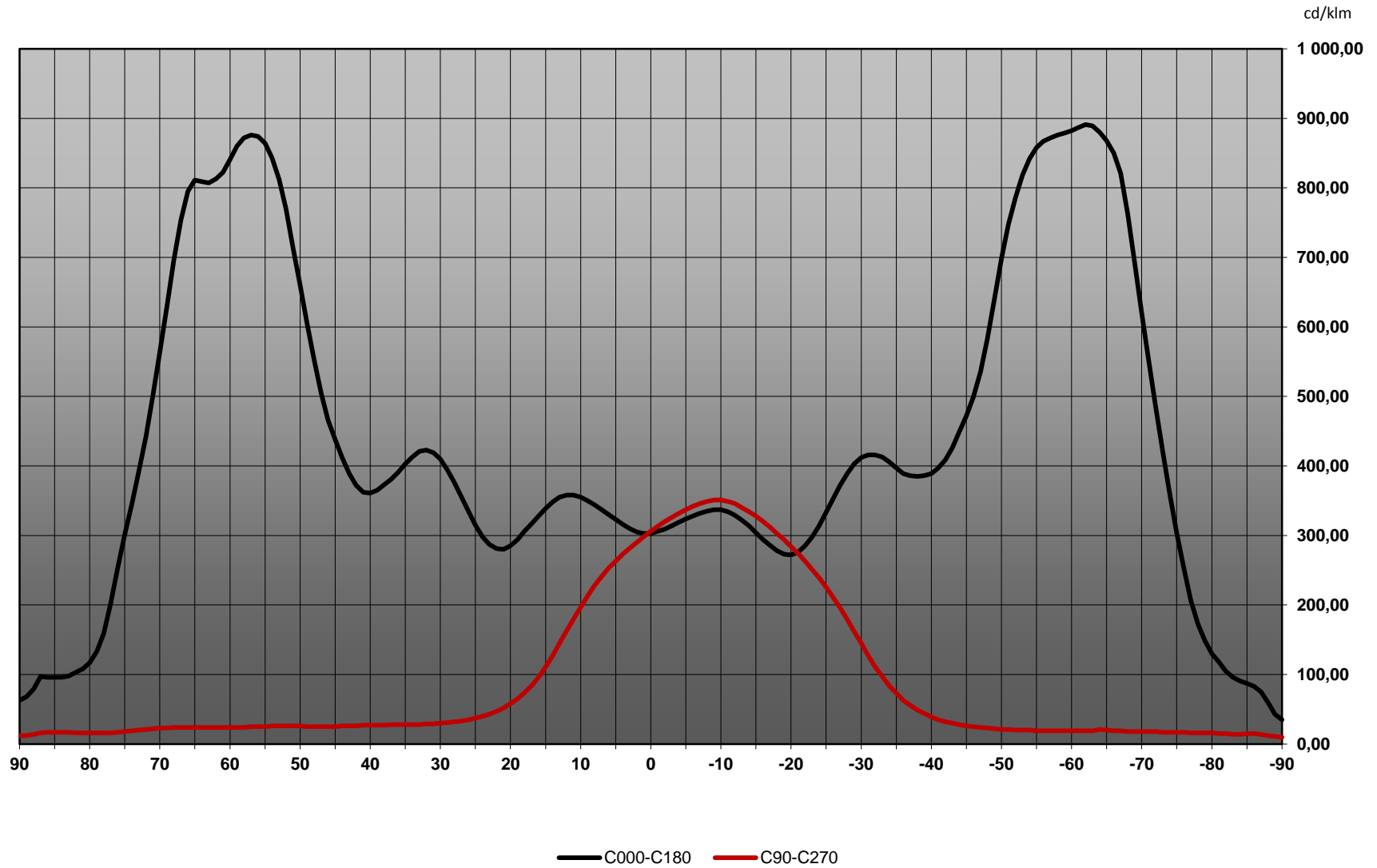
<b>Ordering Number</b>	CA12787_STRADA-K
<b>Family</b>	Strada-K
<b>Type</b>	Assembly
<b>Color</b>	clear
<b>Diameter</b>	19,6 + 15,5 mm
<b>Height</b>	8,8 mm
<b>Style</b>	rectang
<b>Optic Material</b>	PMMA
<b>Holder Material</b>	
<b>Fastening</b>	pin, tape
<b>Status</b>	ready
<b>ROHS Compliant</b>	Yes
<b>Date Updated</b>	31/03/2014



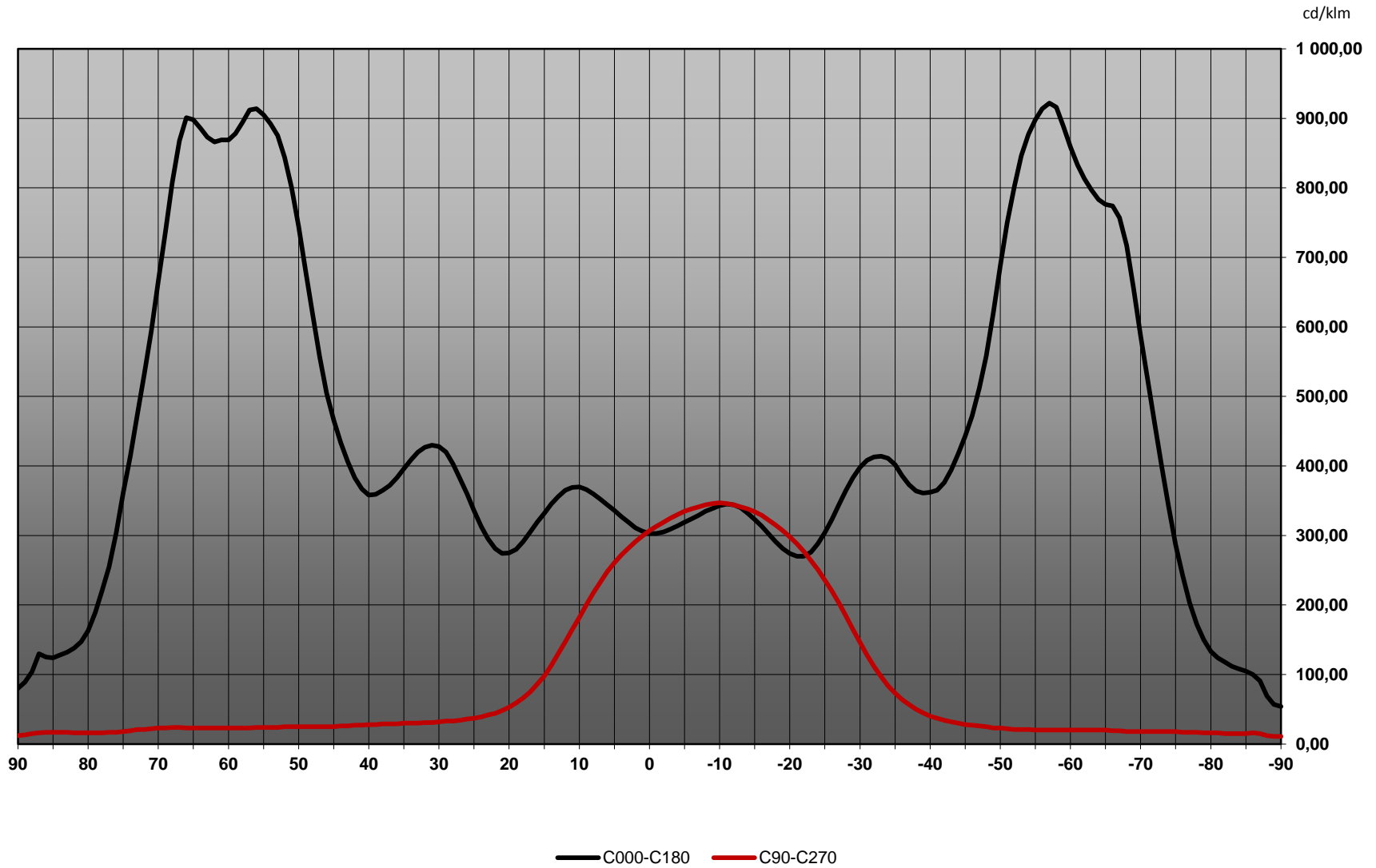
## OPTICAL PROPERTIES

LED	Viewing Angle	Light Beam	Efficiency	cd/lm
XT-E	Asymmetric degrees		96 %	1.160
XB-D	Asymmetric degrees		96 %	1.180
LUXEON T	Asymmetric degrees		94 %	1.000
XP-G2	Asym degrees		94 %	1.000
XP-E2	Asym degrees		94 %	1.100

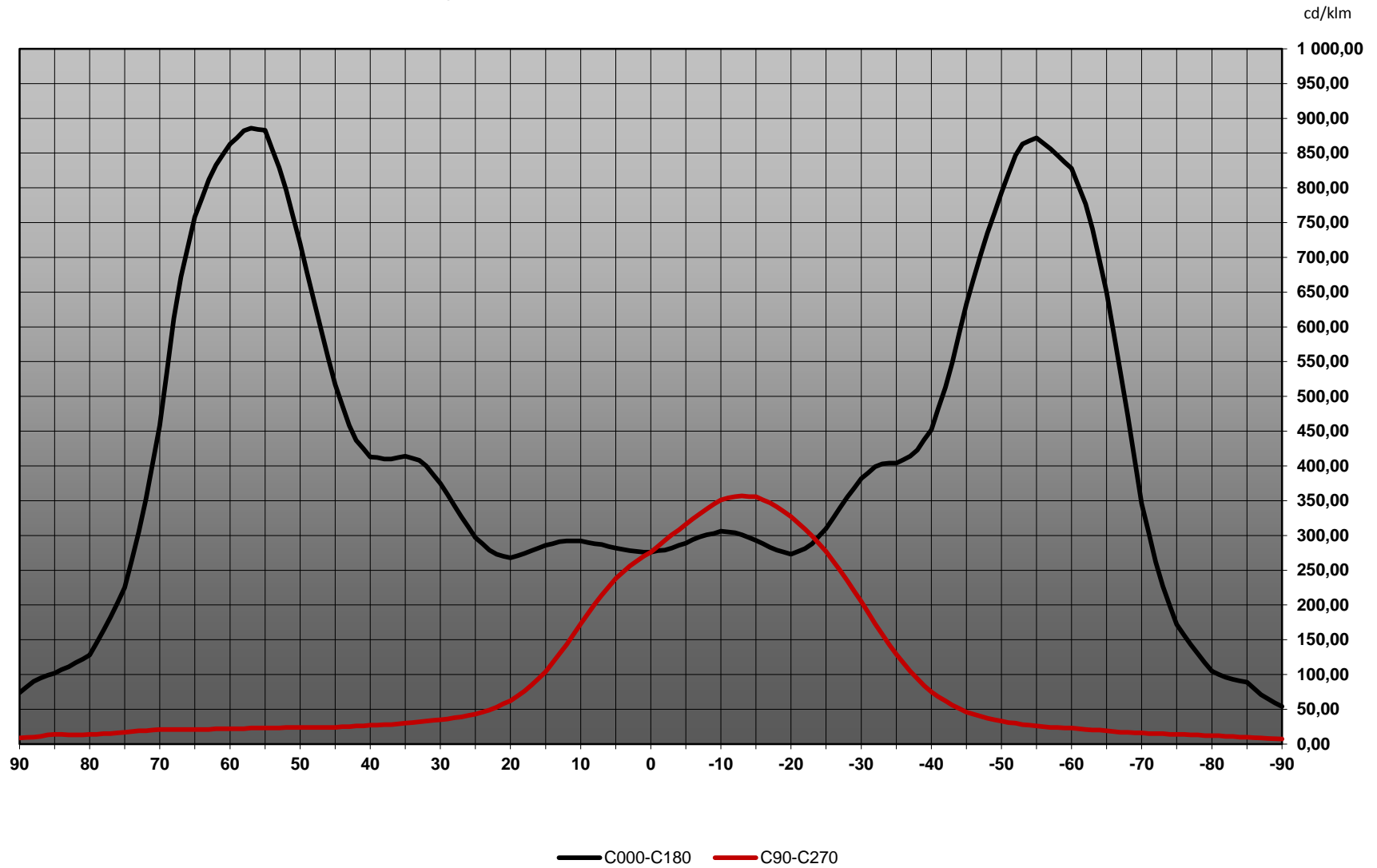
# Absolute intensity of CA12787\_STRADA-K\_(XT-E\_AWT)



# Absolute intensity of CA12787\_STRADA-K\_(XB-D)



# Absolute intensity of CA12787\_&\_C12786\_STRADA-K\_(XP-G)



D

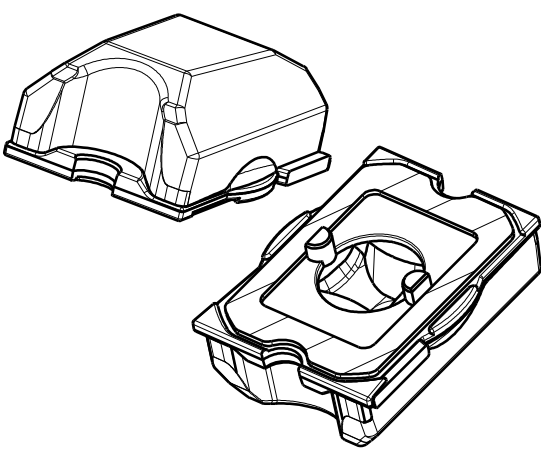
C

B

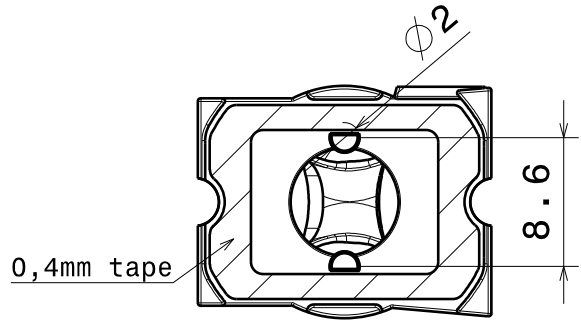
A

4

4



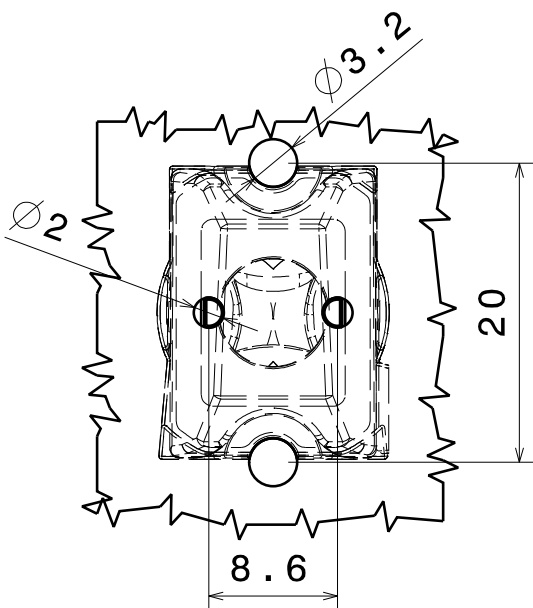
Isometric view



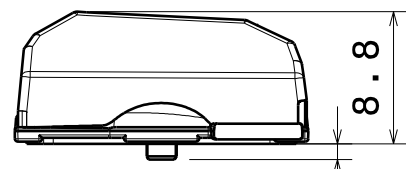
Bottom view

3

3



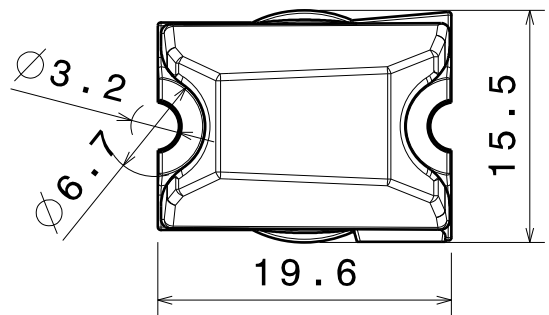
PCB- suggestion



Front view

2

2



Top view

Material: PMMA

Tolerances for dimensions:  
 0-20mm tolerance value  $\pm 0.1$ mm  
 21-45mm tolerance value  $\pm 0.2$ mm  
 46-90mm tolerance value  $\pm 0.3$ mm  
 91-100mm tolerance value  $\pm 0.4$ mm  
 101-mm tolerance value  $\pm 0.5$ mm

This drawing is our property.  
 It can't be reproduced  
 or communicated without  
 our written agreement.



Ledil Oy  
 Salorankatu 10  
 FIN 24240 SALO  
 Finland

DRAWING TITLE

DRAWN BY  
 mav

DATE  
 18.04.2012

Datasheet STRADA-K

CHECKED BY  
 sn

DATE  
 18.04.2012

SIZE  
 A4

DRAWING NUMBER  
 CA12787

REV  
 1

DESIGNED BY  
 mav

DATE  
 06.03.2012

SCALE 1:1

WEIGHT (g)

SHEET 1/1

D

A

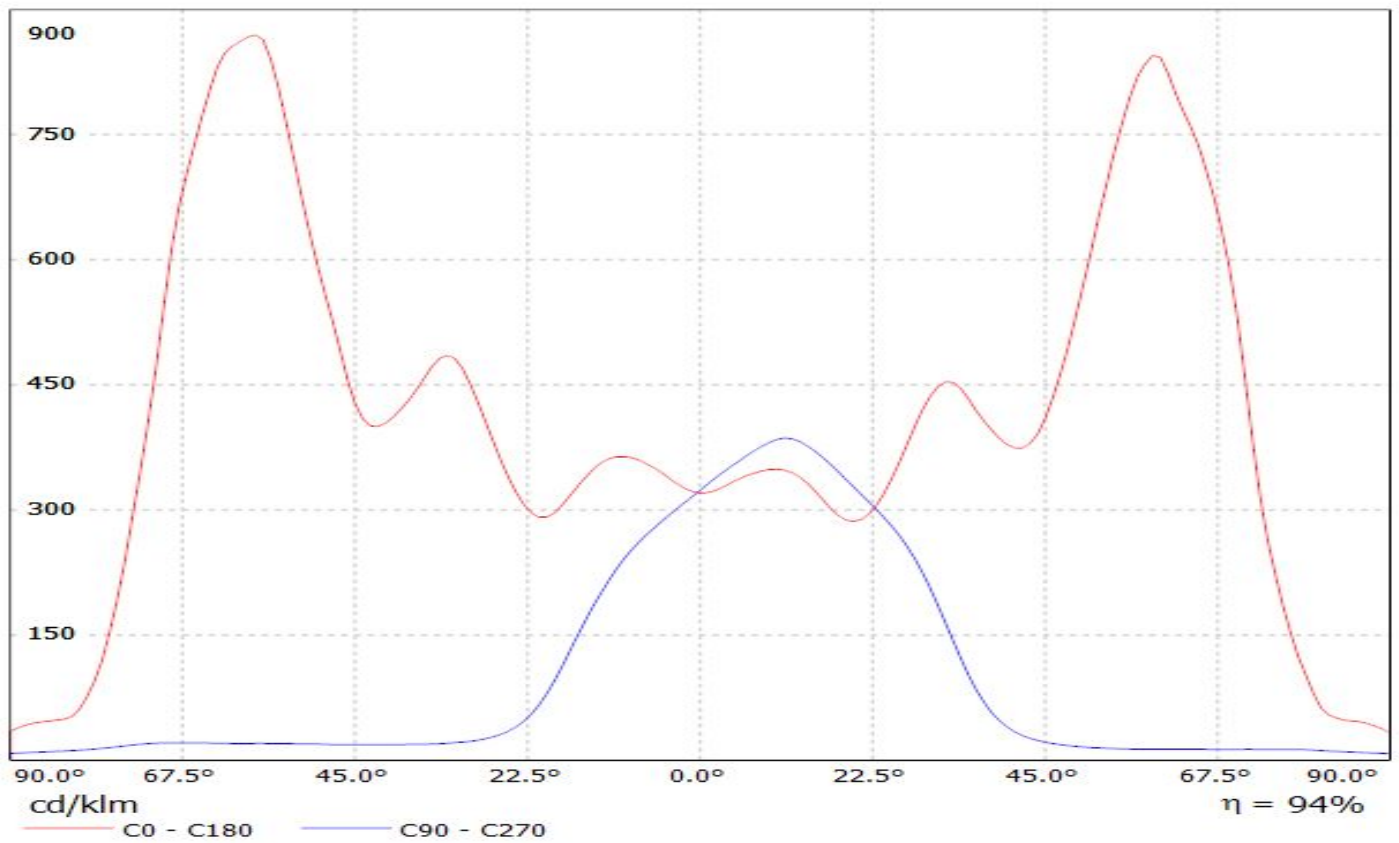
1

1

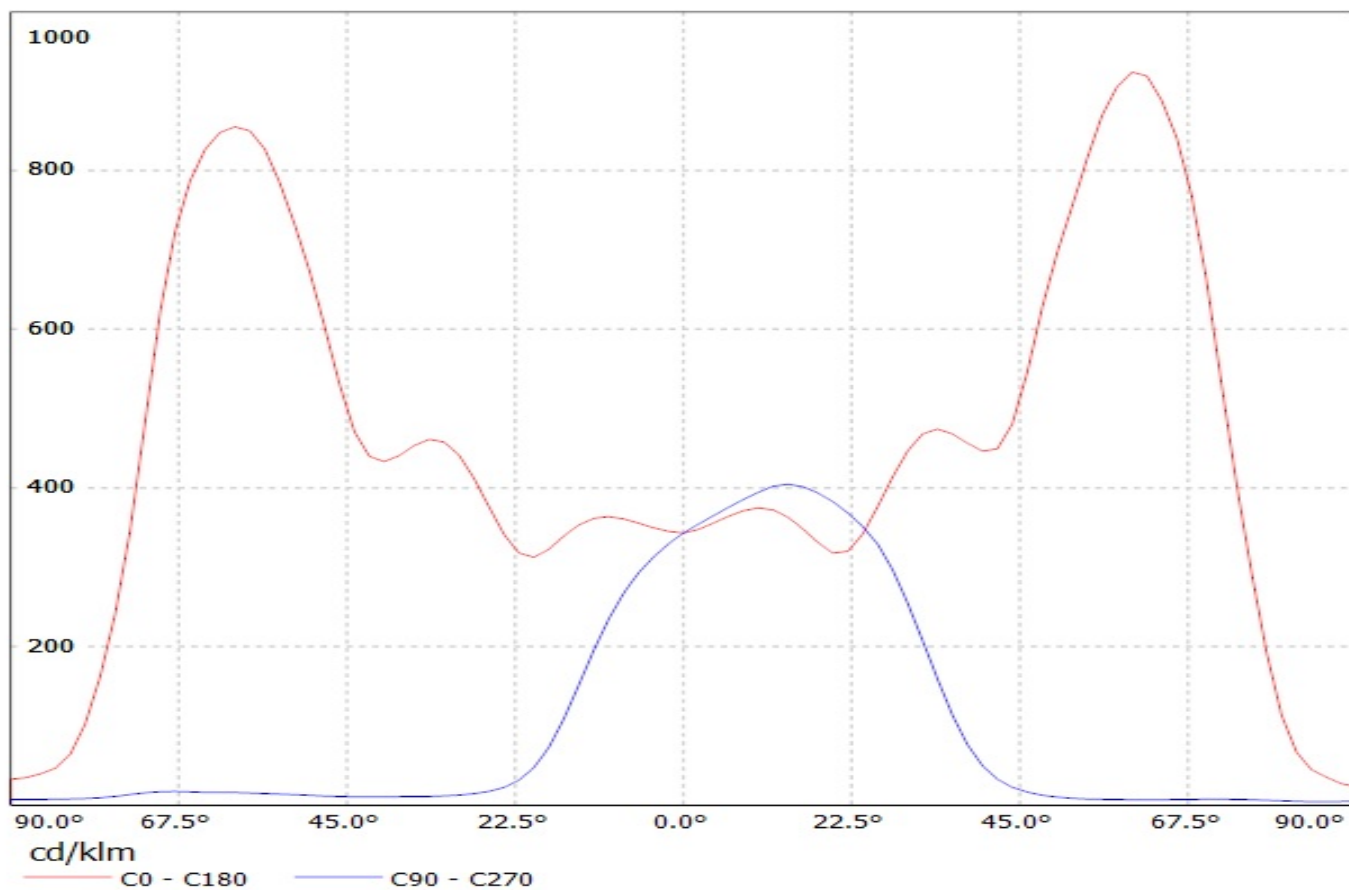
# LEDiL Oy CA12787\_STRADA-K\_(LUXEON\_T) Eff.94.0% / LDC (Linear)

Luminaire: LEDiL Oy CA12787\_STRADA-K\_(LUXEON\_T) Eff.94.0%

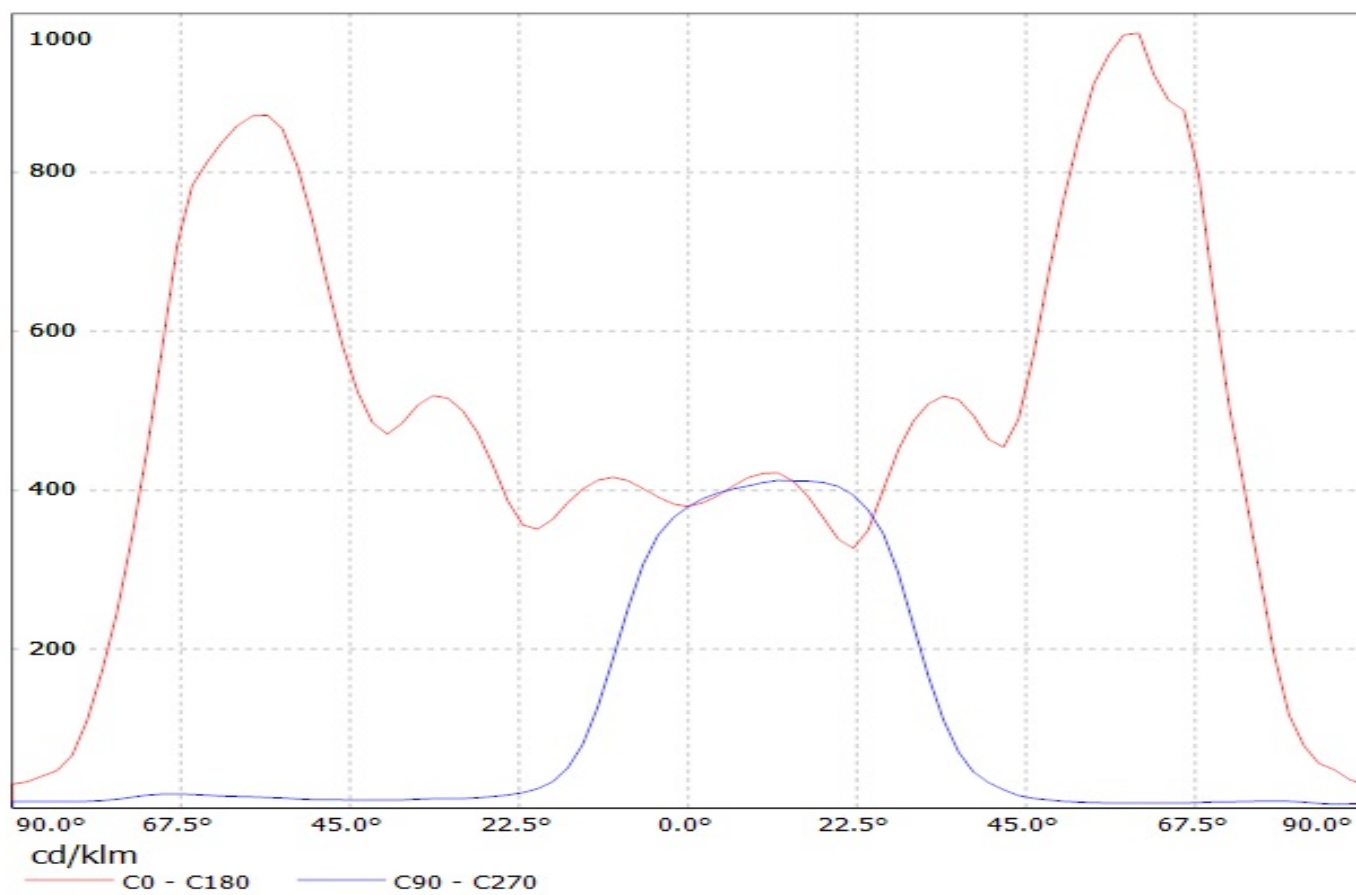
Lamps: 1 x LUXEON\_T\_(LXH8-FW30-3)\_74.11lm@250mA\_CCT=3158K\_P=0.730833W\_I=249.9mA



Luminaire: LEDil Oy CA12787\_STRADA-K\_(XP-G2) Efficiency=94%  
Lamps: 1 x Cree XP-G2 (XPGBWT-L1-0000-00FE4) 101lm @ 250mA CCT=6600K P=0.7W I=250mA

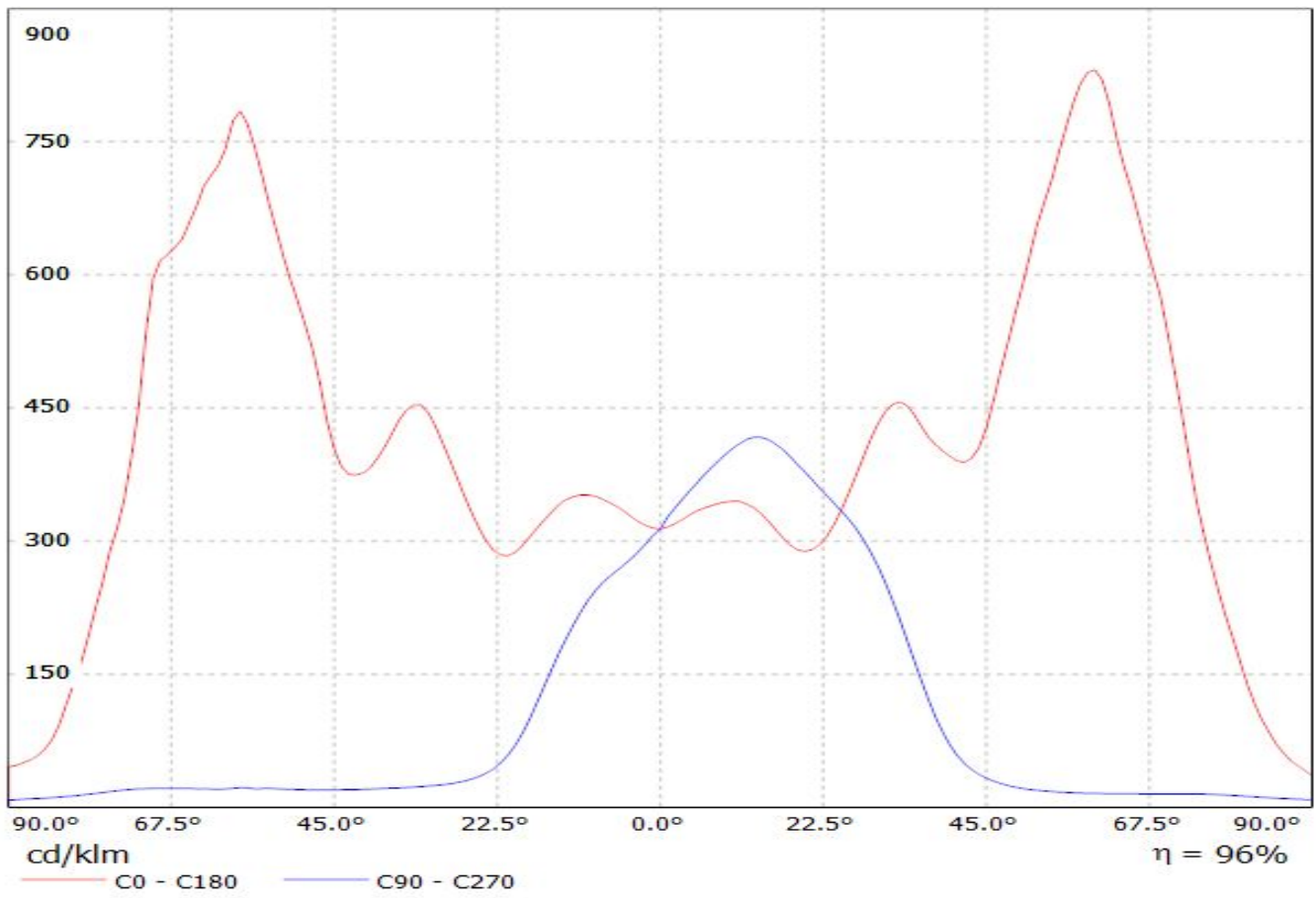


Luminaire: LEDil Oy CA12787\_STRADA-K\_(XP-E2) Efficiency=94%  
Lamps: 1 x Cree XP-E2 (XPEBWT-L1-7B4-Q4-0-01) 84.8lm @ 250mA CCT=3200K P=0.8W I=250mA

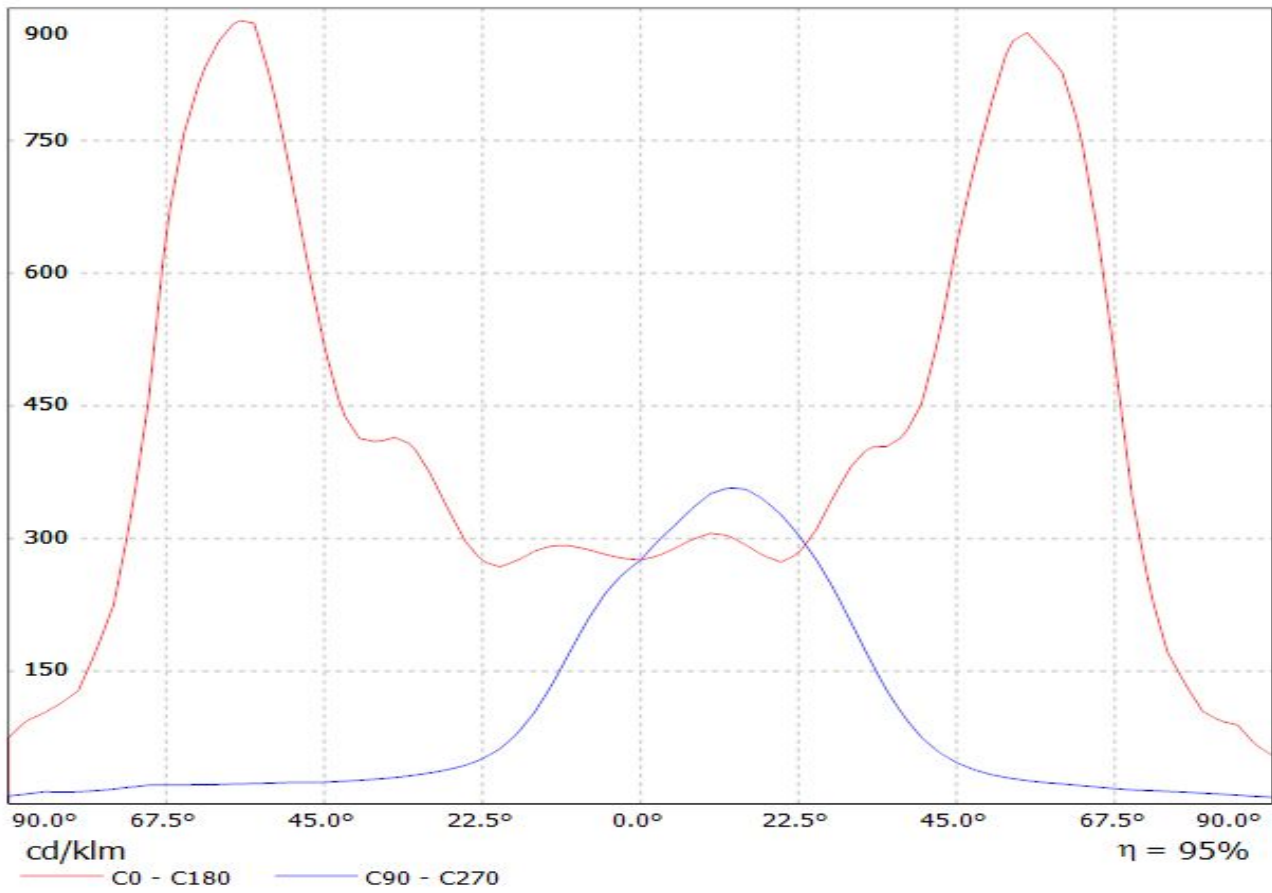




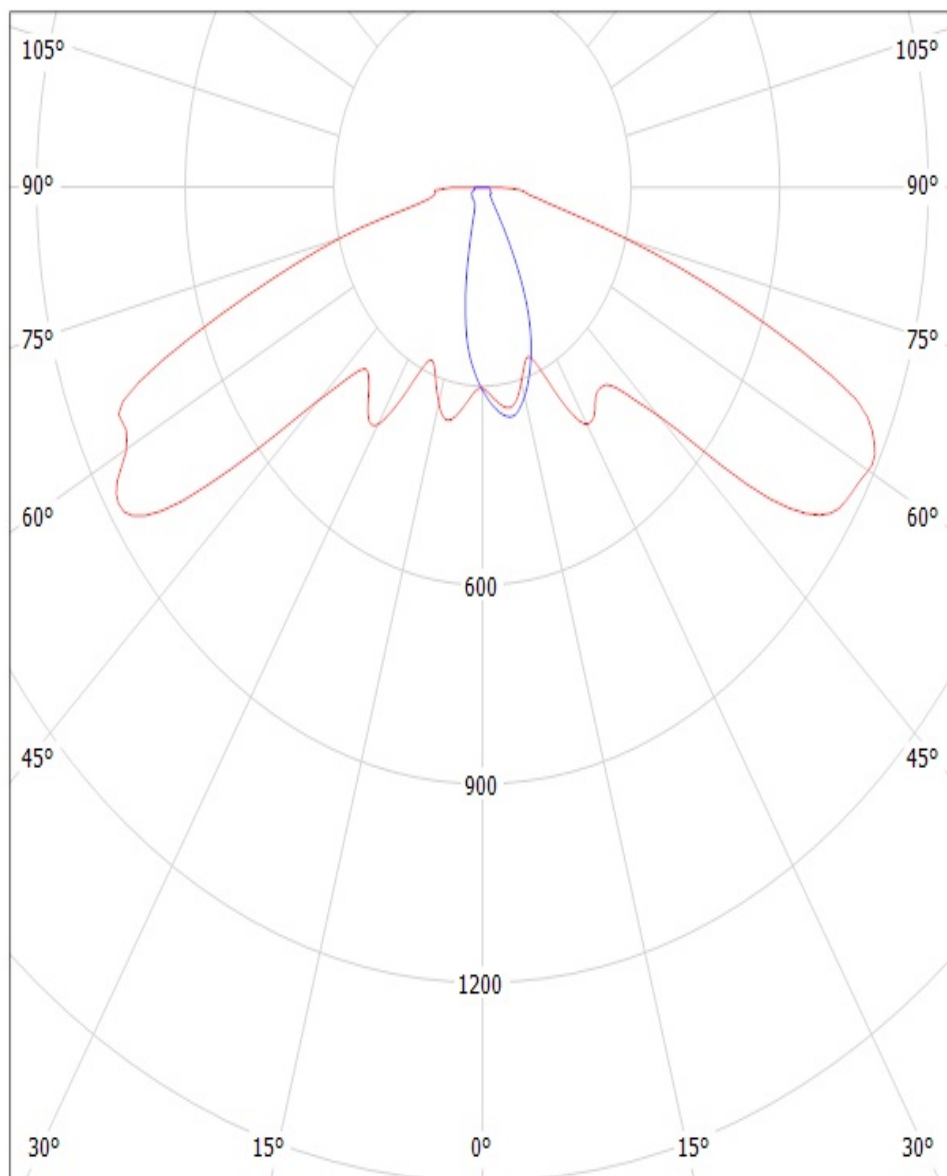
Luminaire: LEDiL Oy CA12787\_STRADA-K\_(LG3535) Eff. 96,1%  
Lamps: 1 x LG Ceramic 3535 PKG (95lm@250mA)



Luminaire: LEDIL OY CA12787\_ & C12786\_STRADA-K\_(XP-G) Eff=95%  
Lamps: 1 x Cree XP-G 86.6lm@ 250mA



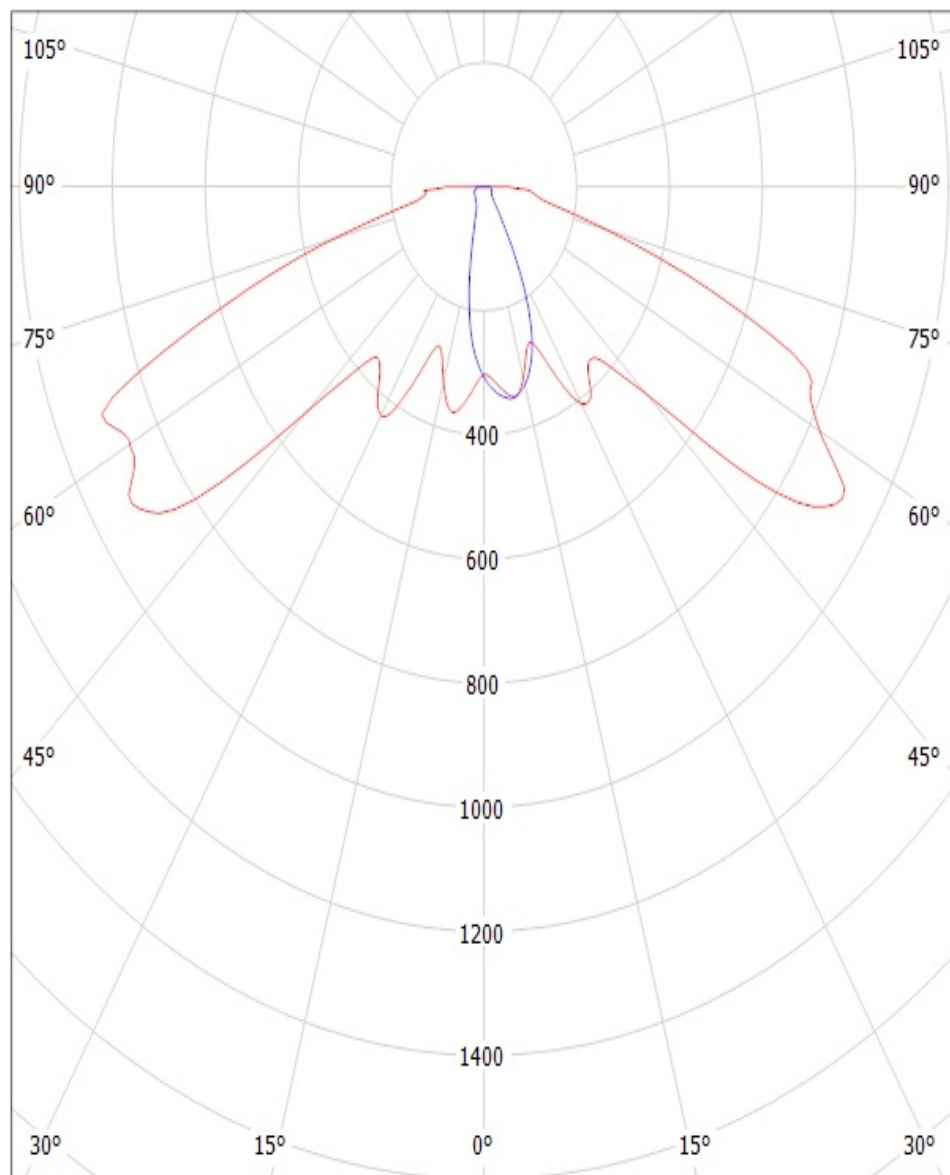
Luminaire: LEDiL Oy CA12787\_STRADA-K\_(XT-E\_AWT) Eff. 96%  
Lamps: 1 x Cree XT-E AWT (99,67lm@250mA)



cd/klm

— C0 - C180 — C90 - C270

Luminaire: LEDiL Oy CA12787\_STRADA-K (Cree XB-D) Eff. 95%  
Lamps: 1 x Cree XB-D (92.6lm@250mA)



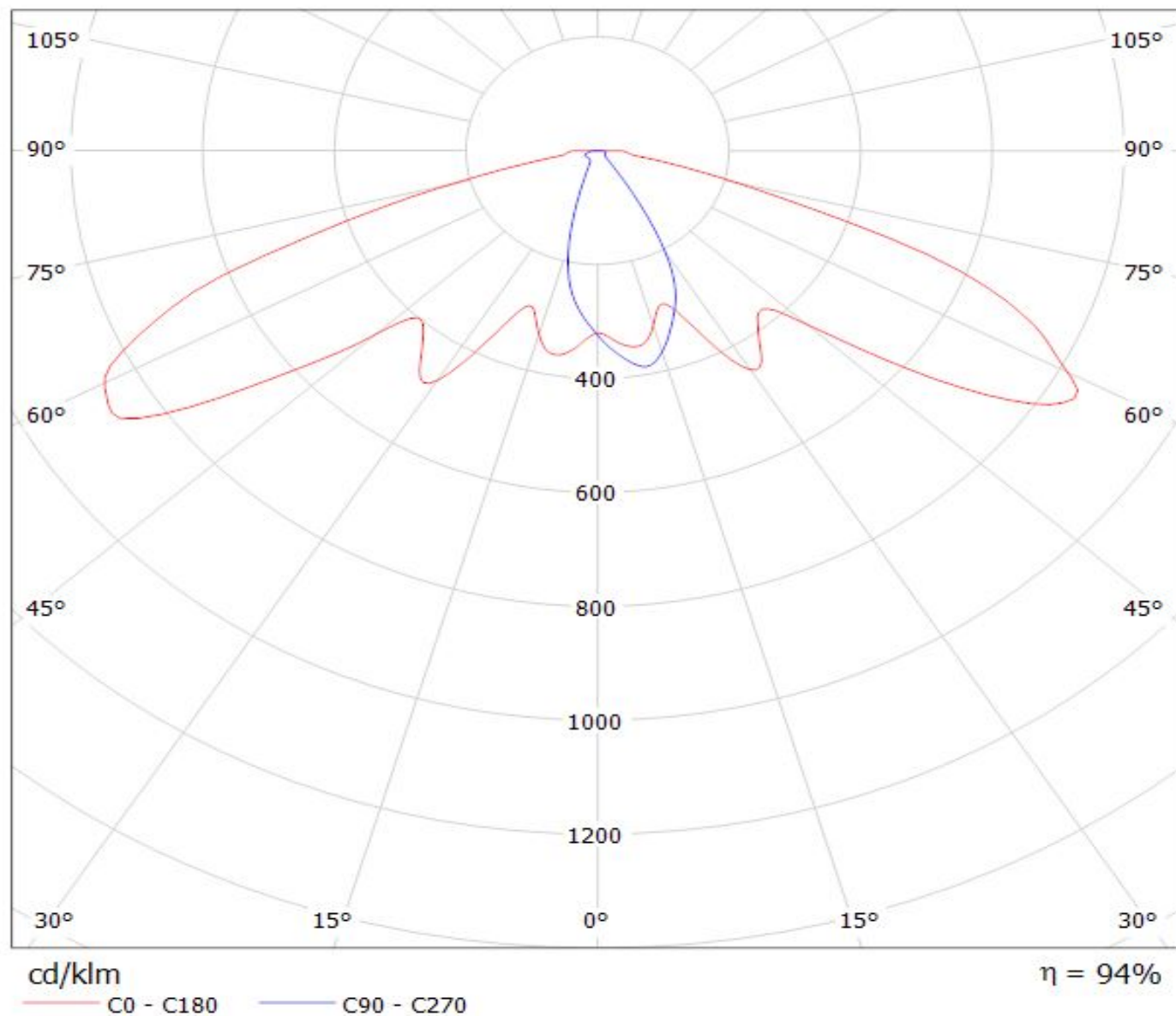
cd/klm

— C0 - C180 — C90 - C270

# LEDiL Oy CA12787\_STRADA-K\_(LUXEON\_T) Eff.94.0% / LDC (Polar)

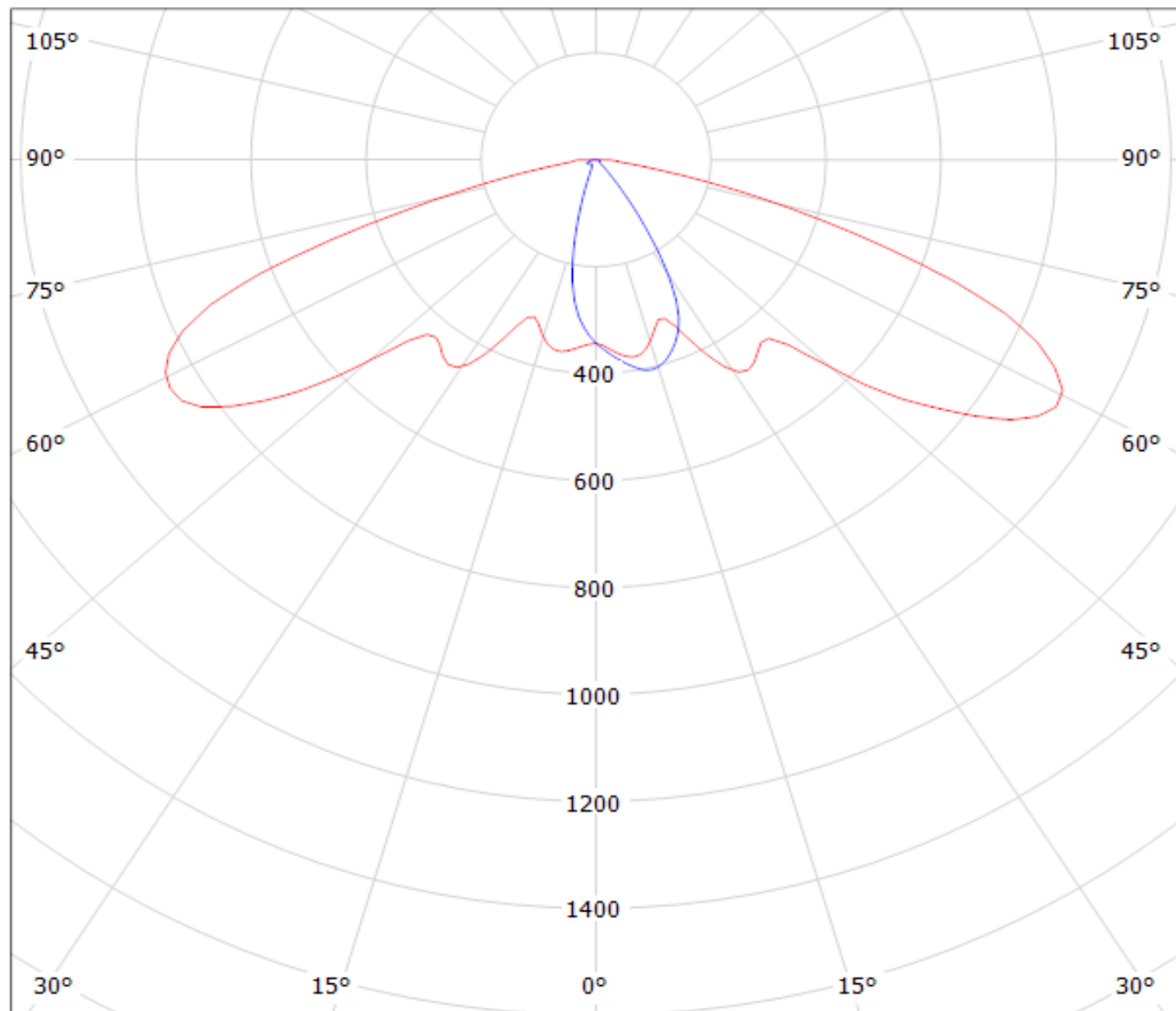
Luminaire: LEDiL Oy CA12787\_STRADA-K\_(LUXEON\_T) Eff.94.0%

Lamps: 1 x LUXEON\_T\_(LXH8-FW30-3)\_74.11lm@250mA\_CCT=3158K\_P=0.730833W\_I=249.9mA



Luminaire: LEDil Oy CA12787\_STRADA-K\_(XP-G2) Efficiency=94%

Lamps: 1 x Cree XP-G2 (XPGBWT-L1-0000-00FE4) 101lm @ 250mA CCT=6600K P=0.7W I=250mA



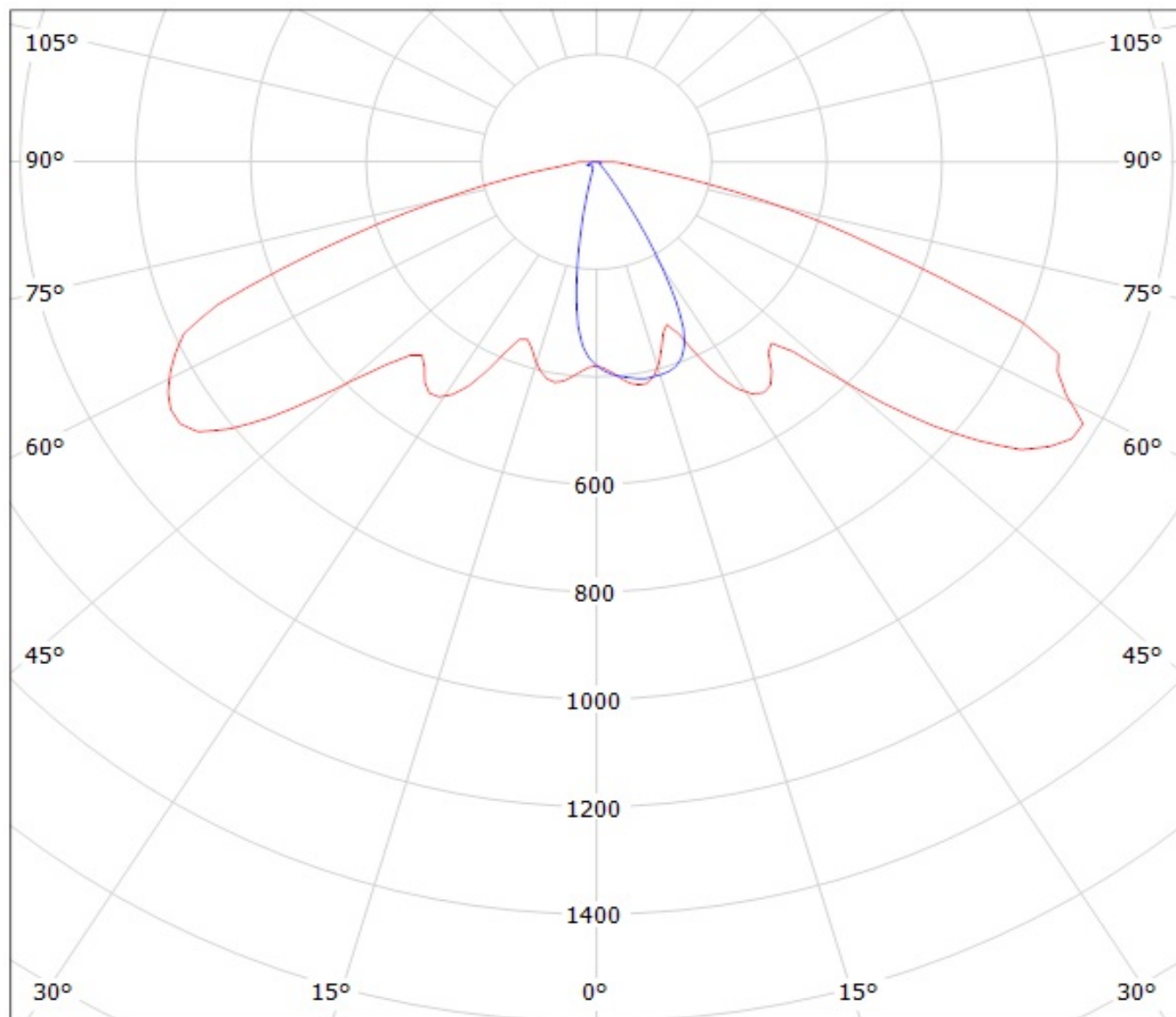
cd/klm

— C0 - C180

— C90 - C270

Luminaire: LEDil Oy CA12787\_STRADA-K\_(XP-E2) Efficiency=94%

Lamps: 1 x Cree XP-E2 (XPEBWT-L1-7B4-Q4-0-01) 84.8lm @ 250mA CCT=3200K P=0.8W I=250mA

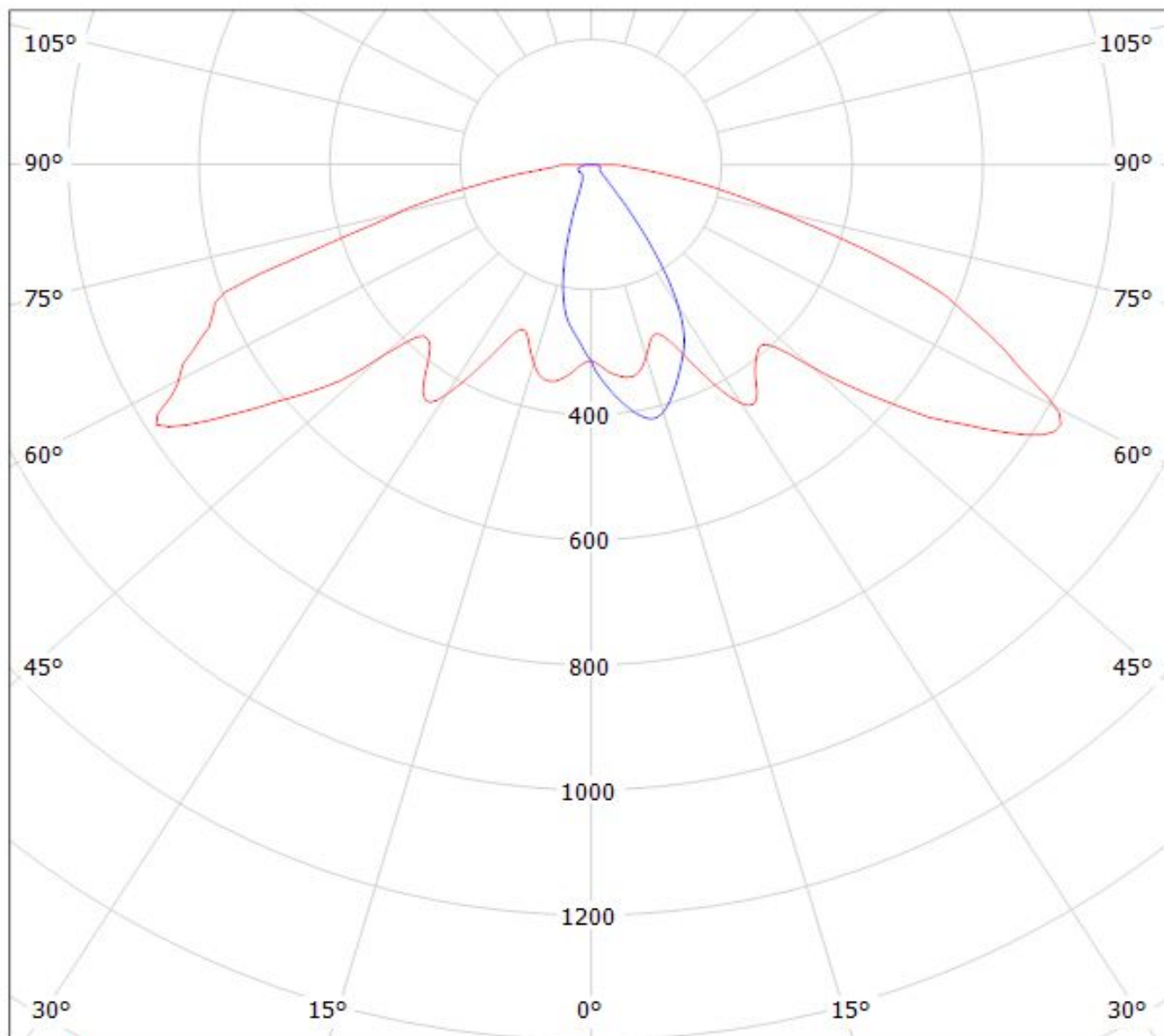


cd/klm

— C0 - C180

— C90 - C270

Luminaire: LEDiL Oy CA12787\_STRADA-K\_(LG3535) Eff. 96,1%  
Lamps: 1 x LG Ceramic 3535 PKG (95lm@250mA)



cd/klm

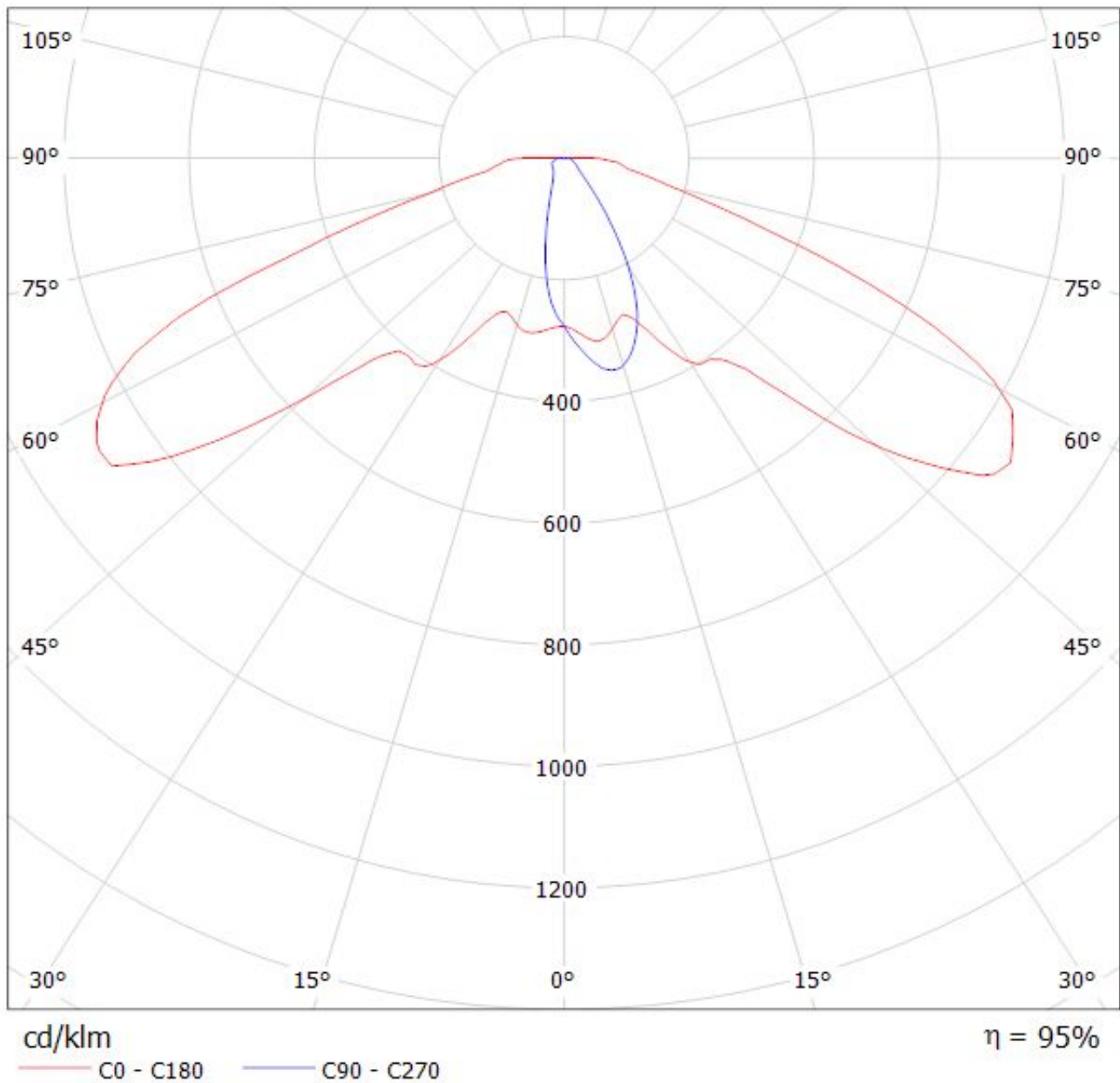
$\eta = 96\%$

— C0 - C180    — C90 - C270



Luminaire: LEDIL OY CA12787\_&\_C12786\_STRADA-K\_(XP-G) Eff=95%

Lamps: 1 x Cree XP-G 86.6lm@ 250mA



**NOTE: The typical divergence will be changed by different color, chip size and chip position tolerance. The typical total divergence is the full angle measured where the luminous intensity is half of the peak value.**