

**Ordering number C13736_MELODY-4-S**

Family	Melody	FWHM	(simulated) 8
Type	Lens	Efficiency	90 %
LED	Oslon SSL 80	cd/lm	-
Color	Clear	Gerber File	Available
Diameter	50.6 mm		
Height	11.9 mm		
Style	Round		
Optic Material	PMMA		
Holder Material	-		
Fastening	-		
Status	Ready		

Ordering number C12782_MELODY-4-M

Family	Melody	FWHM	27 degrees
Type	-	Efficiency	89 %
LED	Oslon SSL 80	cd/lm	2.900
Color	Clear	Gerber File	Available
Diameter	50.6 mm		
Height	11.9 mm		
Style	Round		
Optic Material	PMMA		
Holder Material	-		
Fastening	Glue, pin		
Status	Ready		

Ordering number C13095_MELODY-3-M

Family	Melody	FWHM	29 degrees
Type	-	Efficiency	92 %
LED	Oslon SSL 80	cd/lm	2.330
Color	Clear	Gerber File	Available
Diameter	50.6 mm		
Height	11.9 mm		
Style	Round		
Optic Material	PMMA		
Holder Material	-		
Fastening	Pin, glue		
Status	Ready		

NOTE: The typical divergence will be changed by different color, chip size and chip position tolerance. The typical total divergence is the full angle measured where the luminous intensity is half of the peak value.



PRODUCT DATASHEET Melody series

last update 2/10/2013



GENERAL INFORMATION

- Product series especially designed & optimized for Oslon SSL 80 series of LEDs.
- Special care taken to make light distribution as uniform as possible.
- Lens material optical grade PMMA with high UV and temperature resistance (105 degrees of Celcius / 220 degrees of Fahrenheit). Allows use of high current and temperature conditions.

Please find more information about used material from below:

http://ledil.fi/sites/default/files/Documents/Technical/Material/PMMA%20N%20UL94_Yellow%20Card.pdf

<http://ledil.fi/sites/default/files/Documents/Technical/Material/PMMA%20N%20PLEXIGLAS-Datasheet.pdf>

- Fastening to PCB with appropriate adhesive. By clicking link below you can find Ledil recommended glue options.

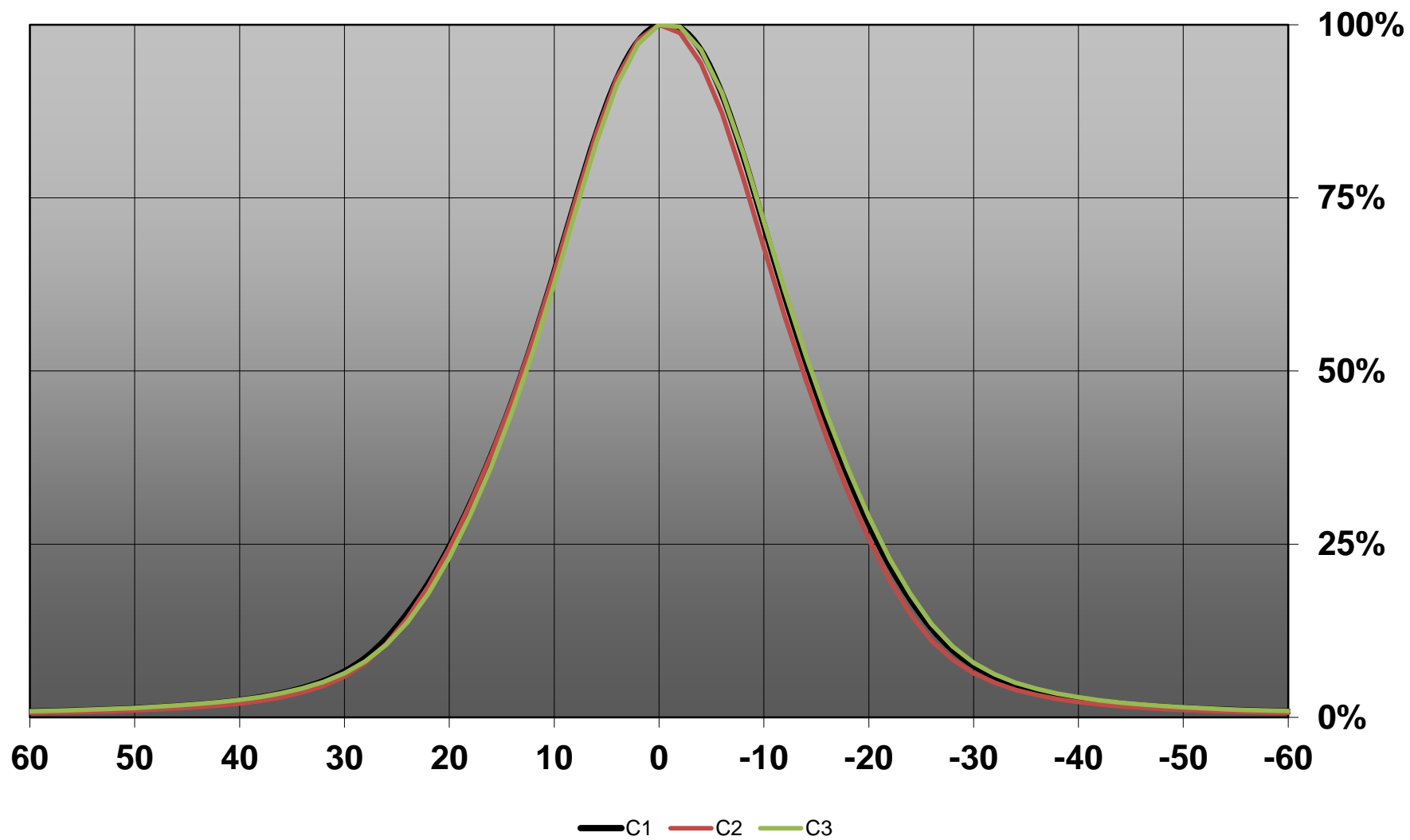
http://www.ledil.com/datasheets/DataSheet_GLUES.pdf

NOTE 1: We advise customer to ensure the suitability and sufficiency of the bond in the end product. For example, mechanical stress, vibration and holes on the surface of the circuit board weaken the strength of the glue.

NOTE 2: All surfaces where glue is applied must be clean, dry and free from grease and dirt. If cleaning of PCB surfaces is needed, please follow strictly the cleaning instructions of your LED manufacturer -this is important as cleaning shall under no circumstances damage LEDs or other electronics components on the PCB.

Further note that optical components shall not be cleaned with any chemicals - only micro fiber cloth may be used to remove fingerprints or other traces from handling.

Relative intensity of C12782_MELODY-4-M-OSL80

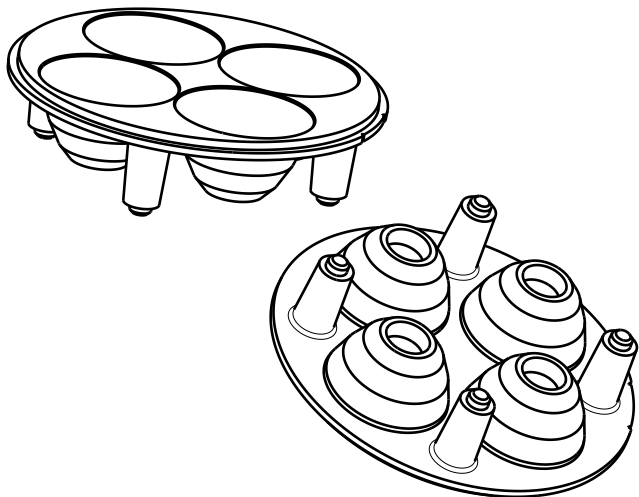


D

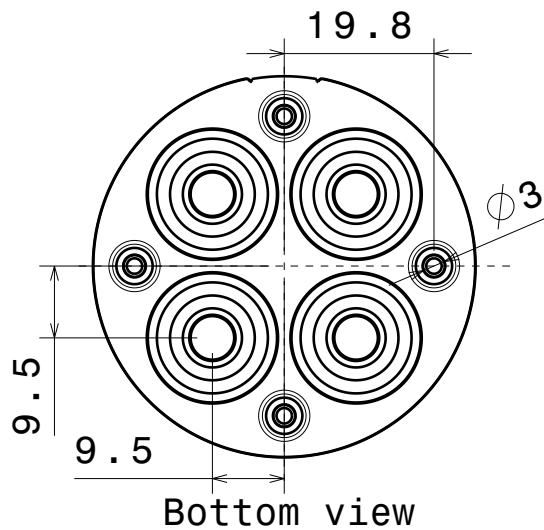
C

B

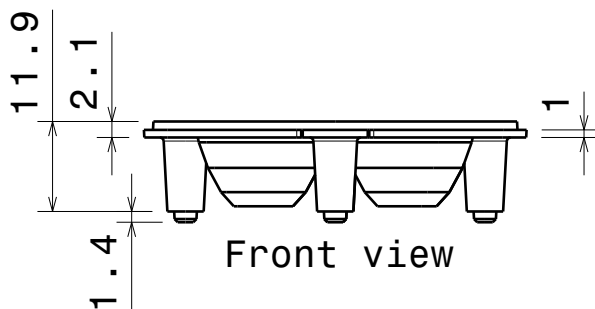
A



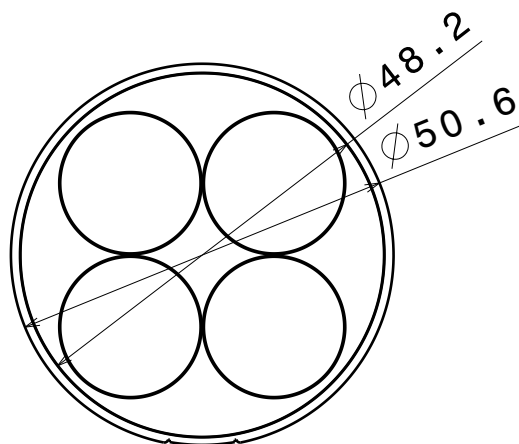
Isometric view



Bottom view



Front view



Top view

Material: PMMA

Tolerances for dimensions:
 0-20mm tolerance value $\pm 0.1\text{mm}$
 21-45mm tolerance value $\pm 0.2\text{mm}$
 46-90mm tolerance value $\pm 0.3\text{mm}$
 91-100mm tolerance value $\pm 0.4\text{mm}$
 101-mm tolerance value $\pm 0.5\text{mm}$

This drawing is our property.
 It can't be reproduced
 or communicated without
 our written agreement.



Ledil Oy
 Salorankatu 10
 FIN 24240 SALO
 Finland

DRAWING TITLE

Datasheet MELODY-4 series

DRAWN BY

mav

DATE

18.04.2012

CHECKED BY

sn

DATE

18.04.2012

SIZE

A4

DRAWING NUMBER

-

REV

1

DESIGNED BY

mav

DATE

06.03.2012

SCALE

1:1

WEIGHT (g)

SHEET

1/1

D

A

4

4

3

3

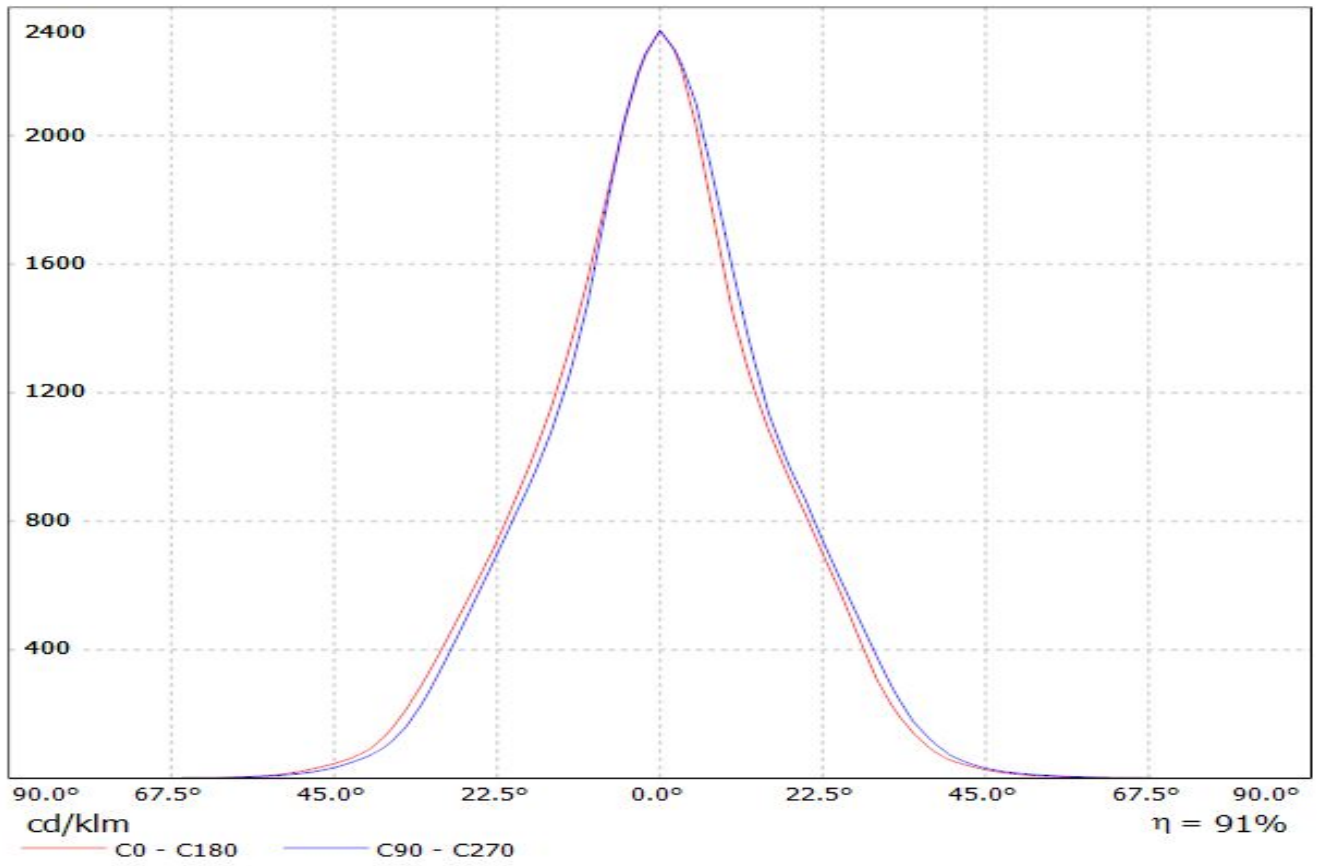
2

2

1

1

Luminaire: LEDiL C13095_MELODY-3-M_(SSL80) Eff 92%
Lamps: 1 x Oslon SSL80 (203lm@250mA)



Luminaire: LEDiL C13095_MELODY-3-M_(SSL80) Eff 92%
Lamps: 1 x Oslon SSL80 (203lm@250mA)

