

**Ordering number C13055_EMMA-360**

Family	Emma	FWHM	172 degrees
Type	Lens	Efficiency	94 %
LED	XP-E2	cd/lm	0.430
Color	Clear	Gerber File	Available
Diameter	9.9x9.9 mm		
Height	5.7 mm		
Style	Square		
Optic Material	PMMA		
Holder Material	-		
Fastening	Pin, glue		
Status	On production		

Developed especially for side emitting applications

NOTE: The typical divergence will be changed by different color, chip size and chip position tolerance. The typical total divergence is the full angle measured where the luminous intensity is half of the peak value.



PRODUCT DATASHEET

Emma series

last update 14/2/2014

GENERAL INFORMATION

- Product series especially designed & optimized for XP-E2 series of LEDs.
- Special care taken to make light distribution as uniform as possible.
- Lens material optical grade PMMA with high UV and temperature resistance. Allows use of high current and temperature conditions.

Please find more information about used material from below:

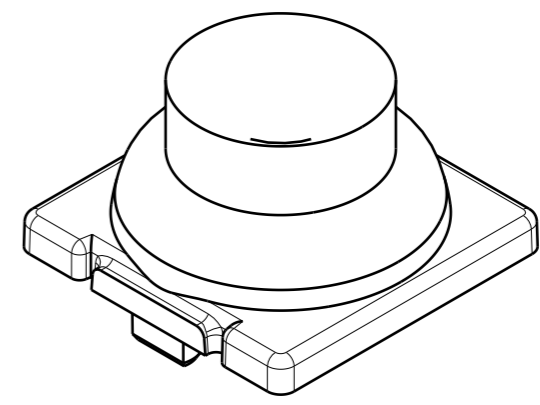
http://ledil.fi/sites/default/files/Documents/Technical/Material/PMMA%20N%20UL94_Yellow%20Card.pdf

<http://ledil.fi/sites/default/files/Documents/Technical/Material/PMMA%20N%20PLEXIGLAS-Datasheet.pdf>

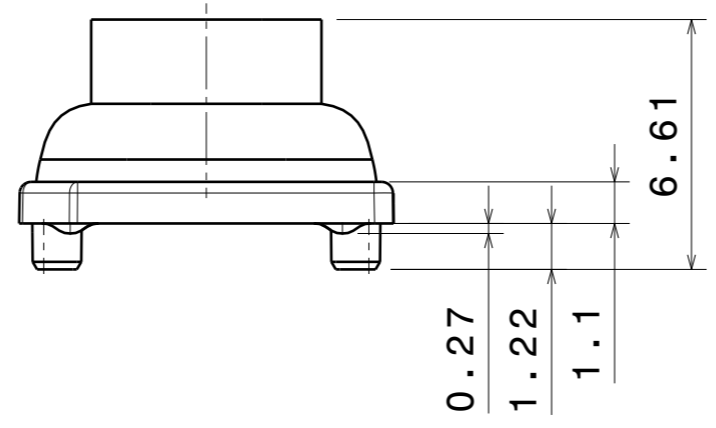
H G F E D C B A

4

4

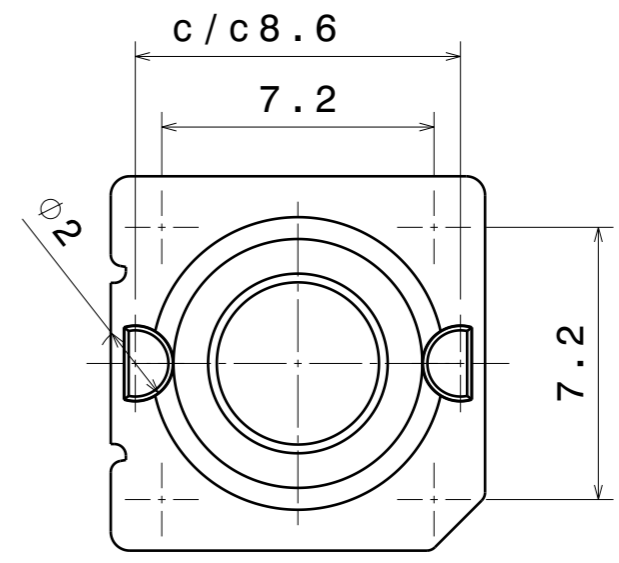
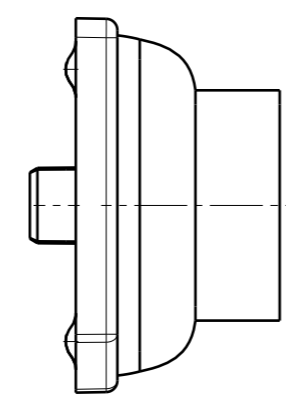
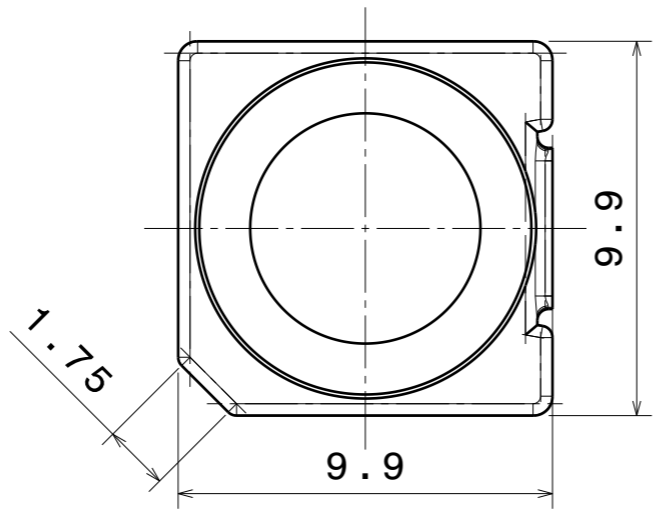
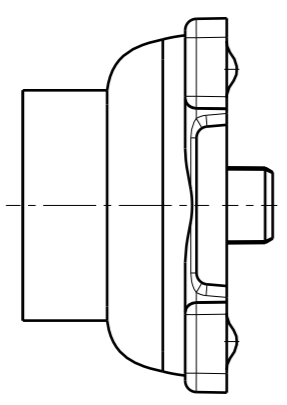


Isometric view
Scale: 5:1



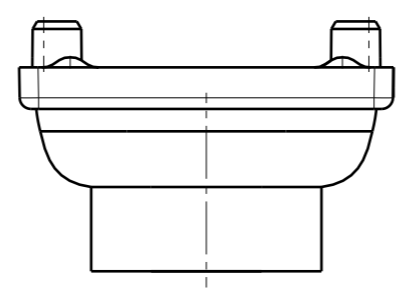
3

3



2

2



1

1

INDEX	PART NO	DESCRIPTION	MATERIAL	COLOUR
1	C13055	EMMA-360	PMMA	

Tolerances if not otherwise shown
According to DIN ISO 2768-1
Linear measures:
Up to 30mm class F, otherwise class M.
According to DIN ISO 2768-2
Form and position: class K

LEDiL LediL Oy
Salorankatu 10
FIN 24240 SALO
Finland

THIRD ANGLE PROJECTION:

DRAWING TITLE
C13055_EMMA-360

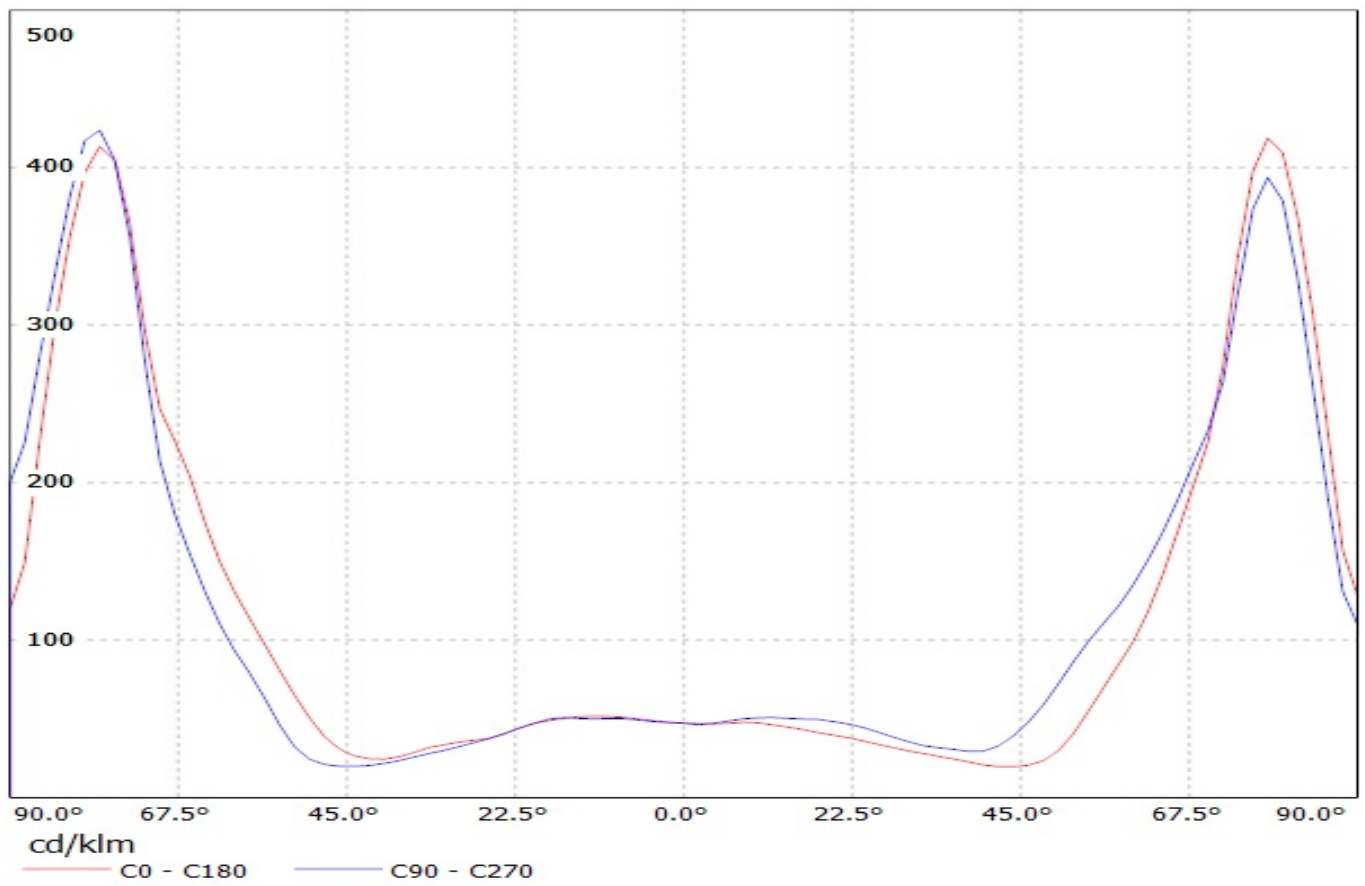
This drawing is the property of LEDiL Oy. It may not be reproduced, copied or communicated without a written agreement with LEDiL Oy."

SIZE	PART NUMBER		
A3	C13055		

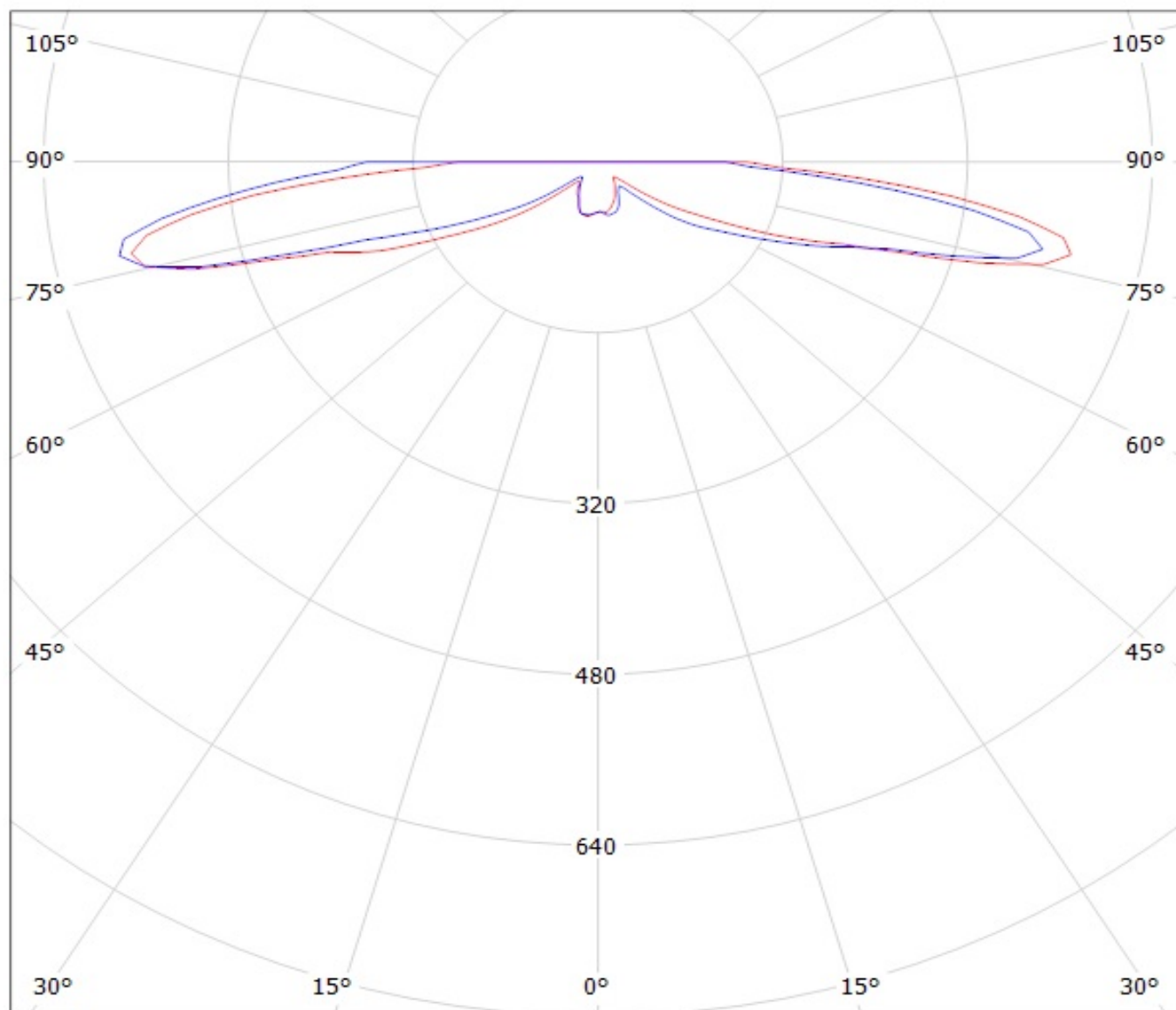
SCALE	5:1	WEIGHT	-	SHEET	1/1
-------	-----	--------	---	-------	-----

H G B A

Luminaire: LEDil Oy C13055_EMMA-360_(XP-E2) Efficiency=94%
Lamps: 1 x Cree XP-E2 (XPE-BWT-L1-7B4-Q4-0-01) 84.8lm @ 250mA CCT=3200K P=0.8W I=250mA



Luminaire: LEDil Oy C13055_EMMA-360_(XP-E2) Efficiency=94%
Lamps: 1 x Cree XP-E2 (XPE-BWT-L1-7B4-Q4-0-01) 84.8lm @ 250mA CCT=3200K P=0.8W I=250mA



cd/klm

— C0 - C180 — C90 - C270