



## STEVAL-IPP002V1

IEC 61334-5-1 compliant smart meter system for AMI applications  
based on STM32, ST7570 PLM, and STPMC1/STPMS1 chipset

Data brief

### Features

- Energy measurement by an external metrology board
- S-FSK Power line communication up to 2.4 kbps
- Data communication compliant with DLMS/COSEM specification
- LCD display to show energy consumption information
- USB and RS232/IrDA connectivity
- Optional ZigBee<sup>®</sup> communication capability
- Optional MEMS module support
- Expansion capability for smartcard interface
- RoHS compliant

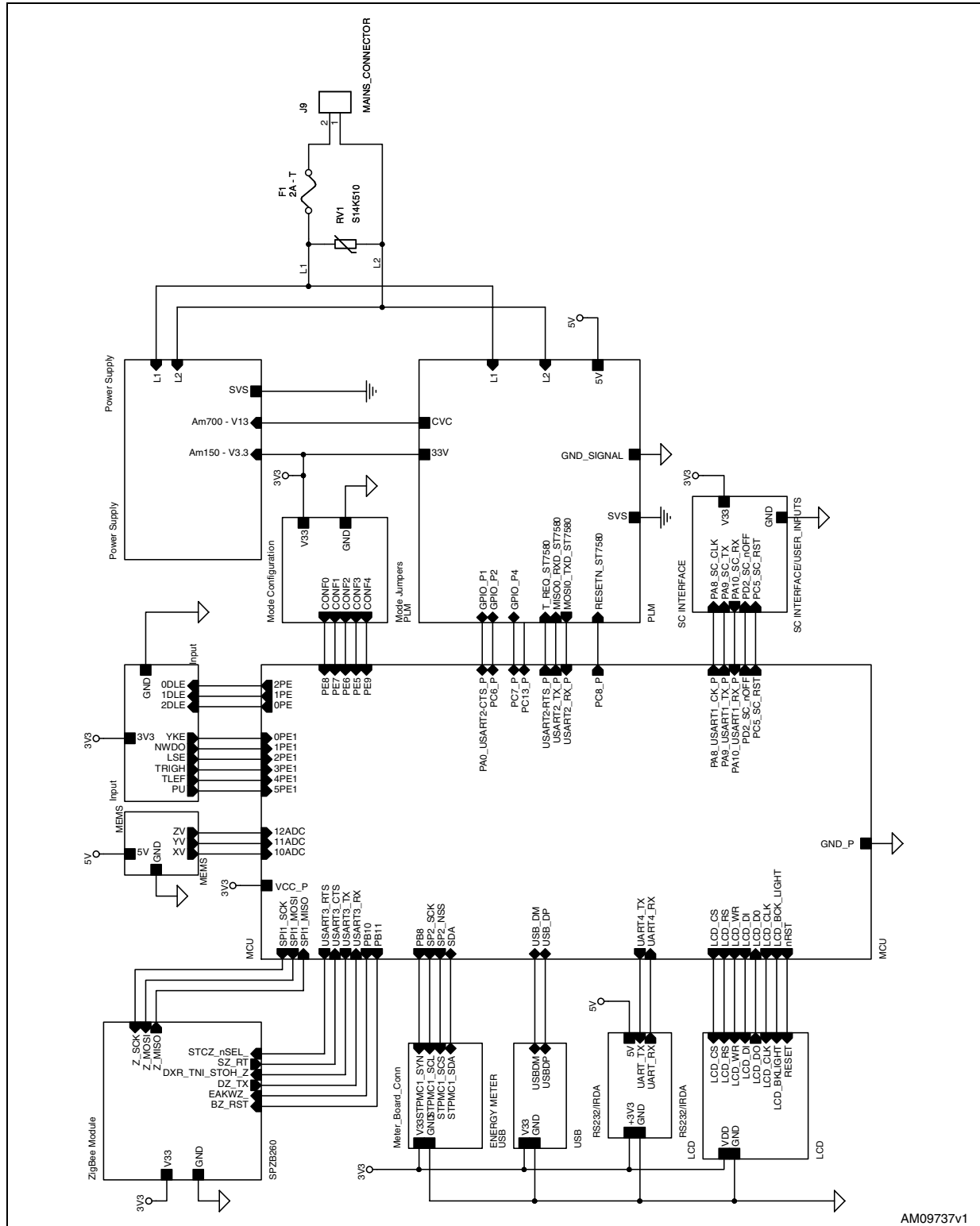


### Description

The STEVAL-IPP002V1 demonstration board can be used as a guideline to designing a typical energy meter board for smart metering applications compliant with the IEC 61334-5-1 standard. It was designed to include advanced features as well as to fit the requirements for next generation energy meters. These extra features can be included in the board by modules for easy customizing.

# 1 Circuits schematic

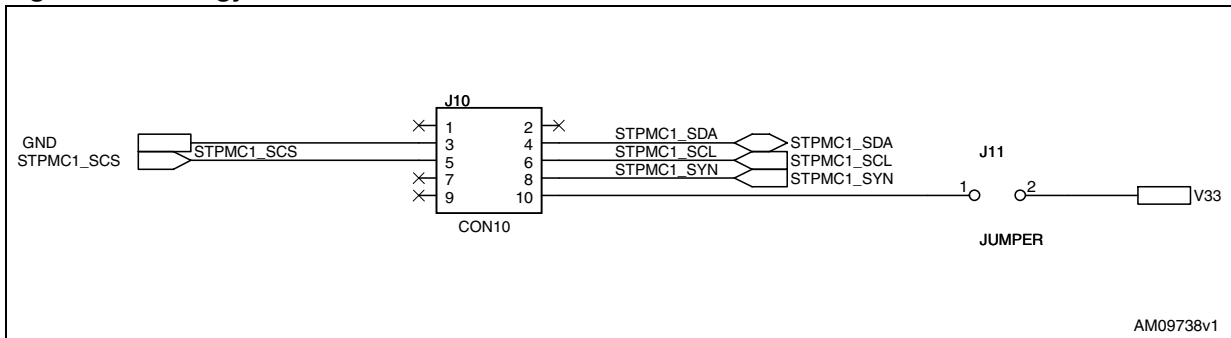
Figure 1. STEVAL-IPP002V1 circuit schematic - top



AM09737v1

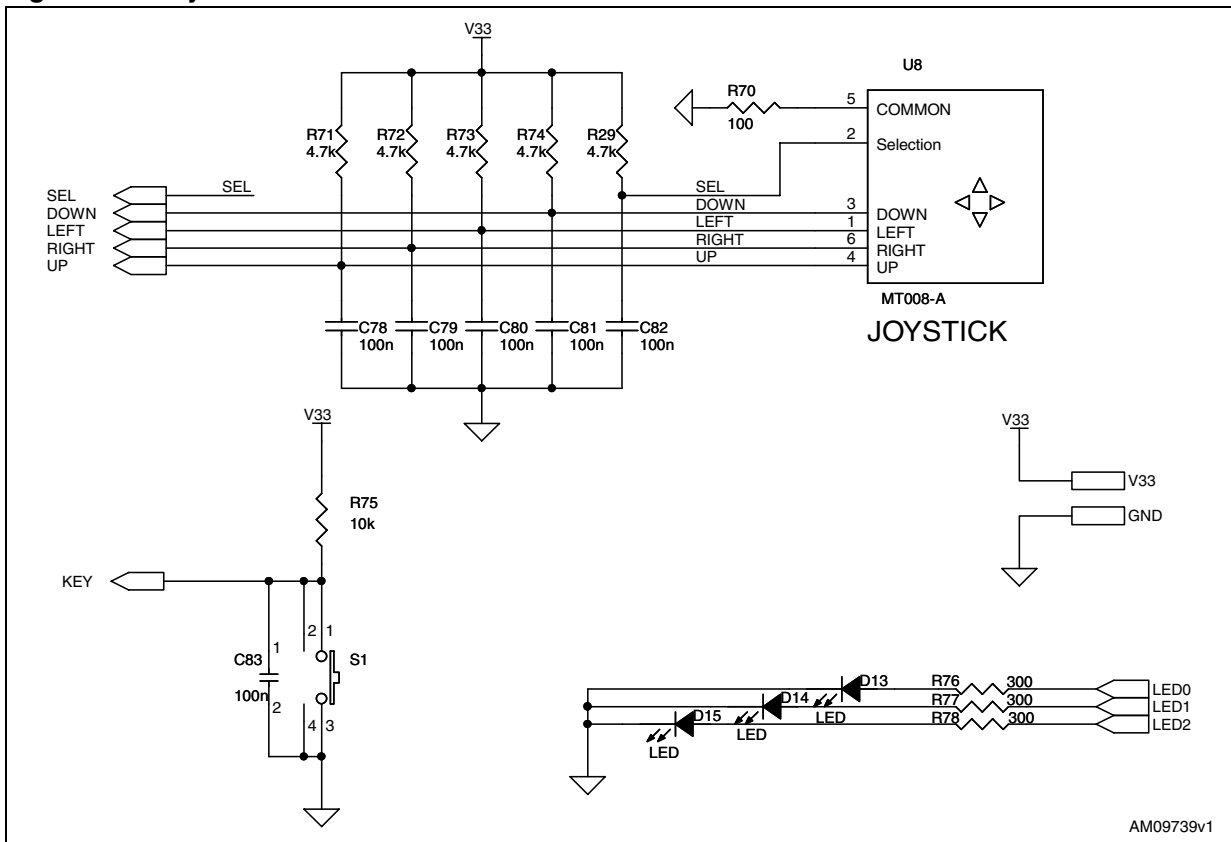


Figure 2. Energy meter board connector section



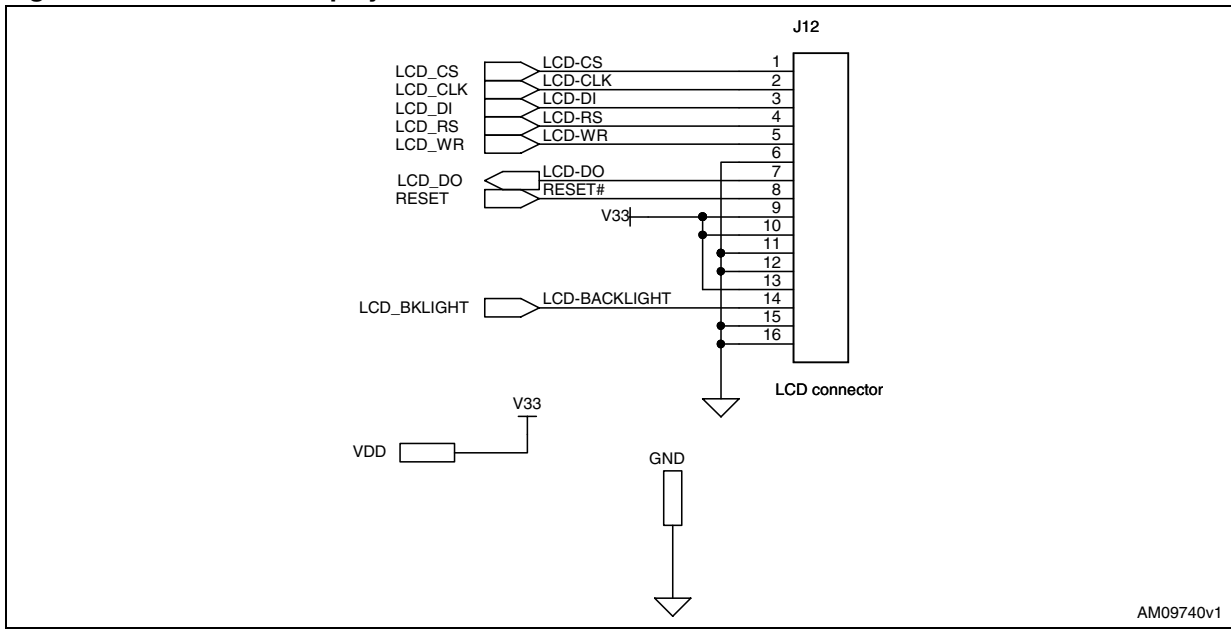
AM09738v1

Figure 3. Joystick and LEDs section



AM09739v1

Figure 4. LCD color display connectors



AM09740v1

Figure 5. MCU section

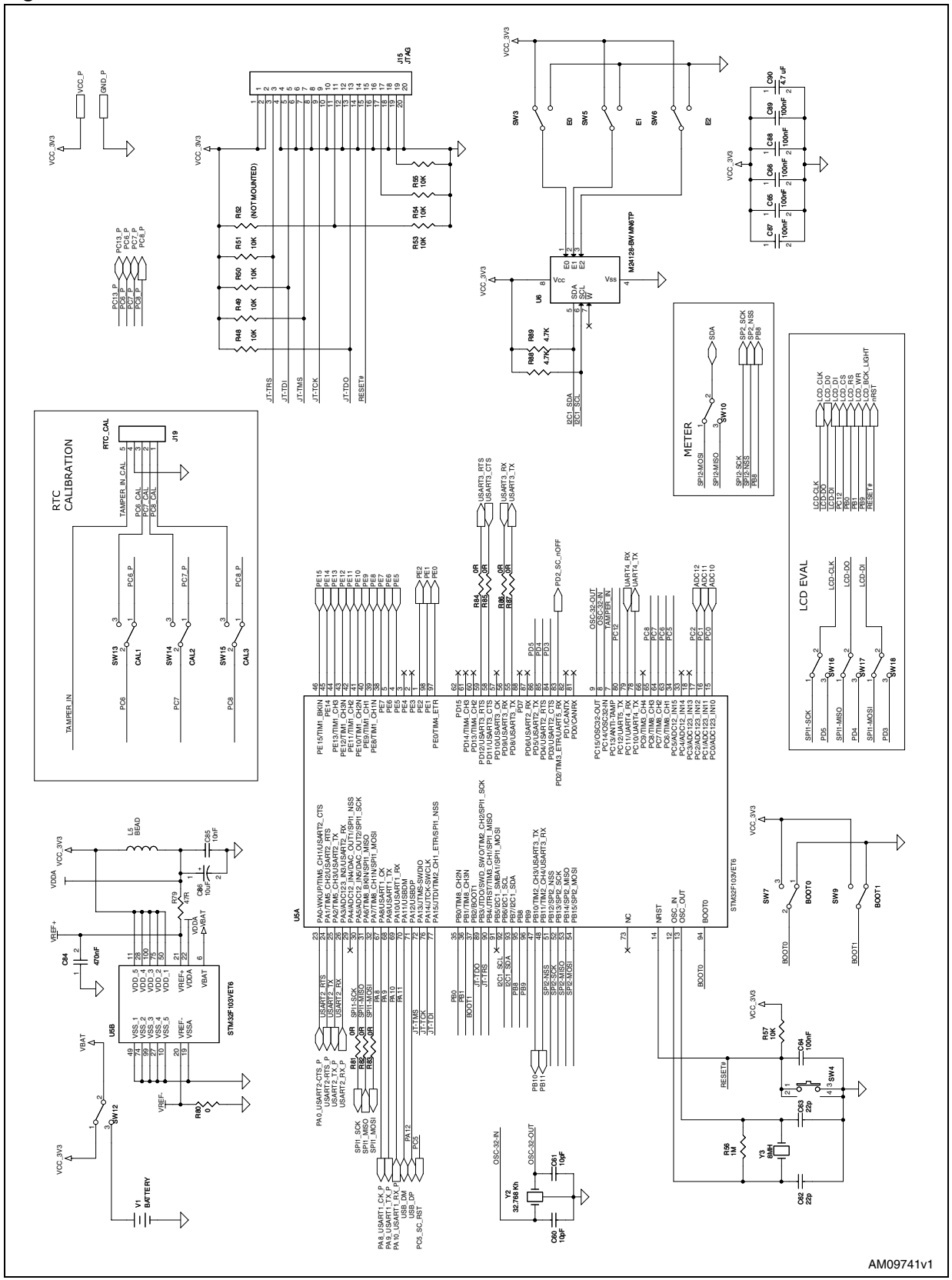


Figure 6. MEMS section

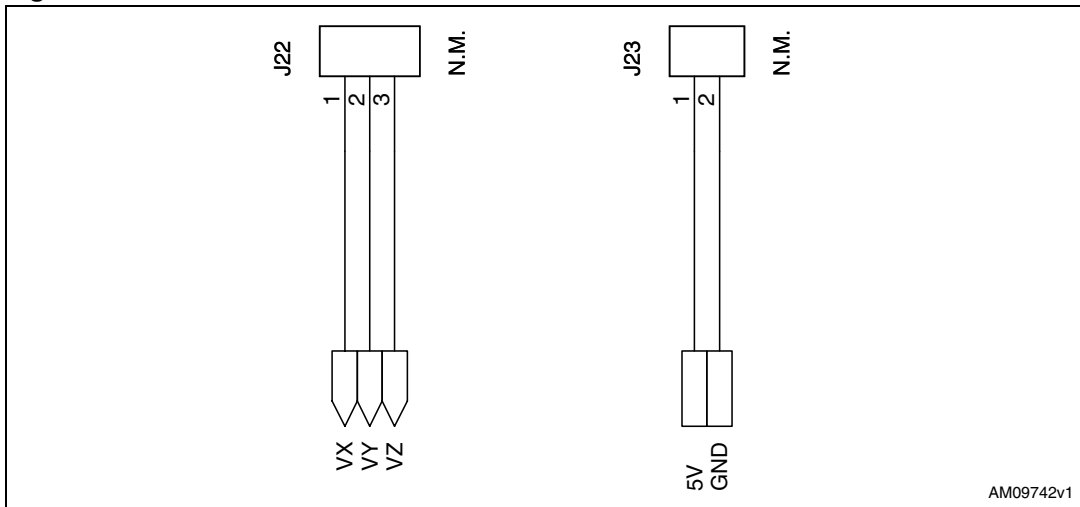


Figure 7. Mode configuration section

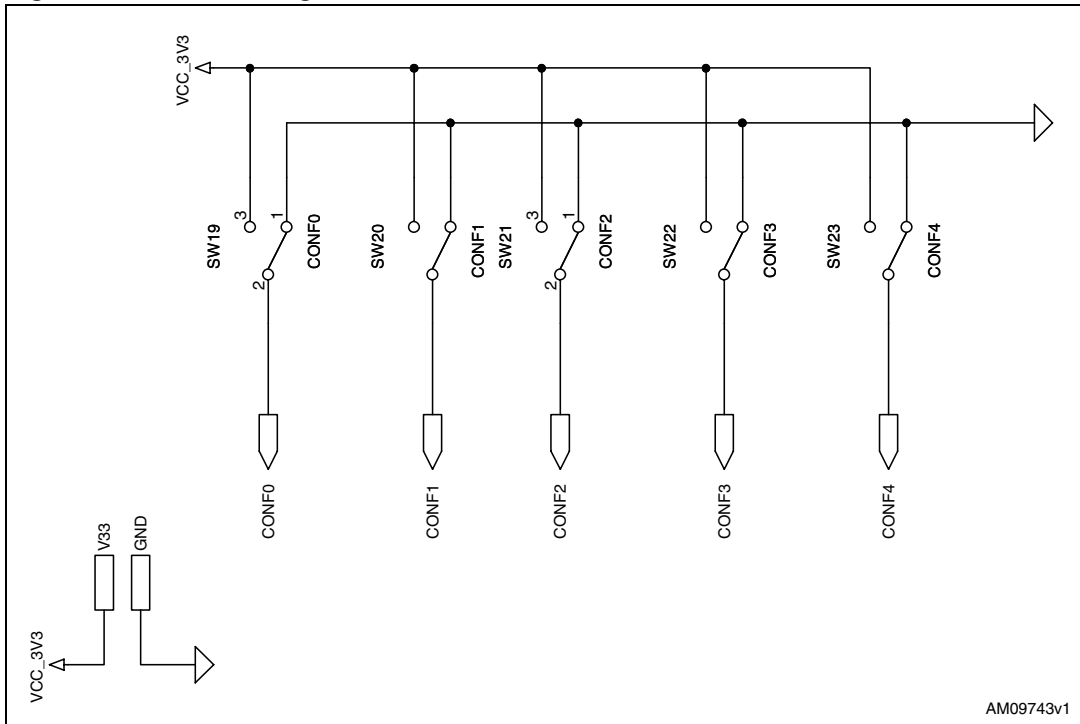


Figure 8. Power line modem section

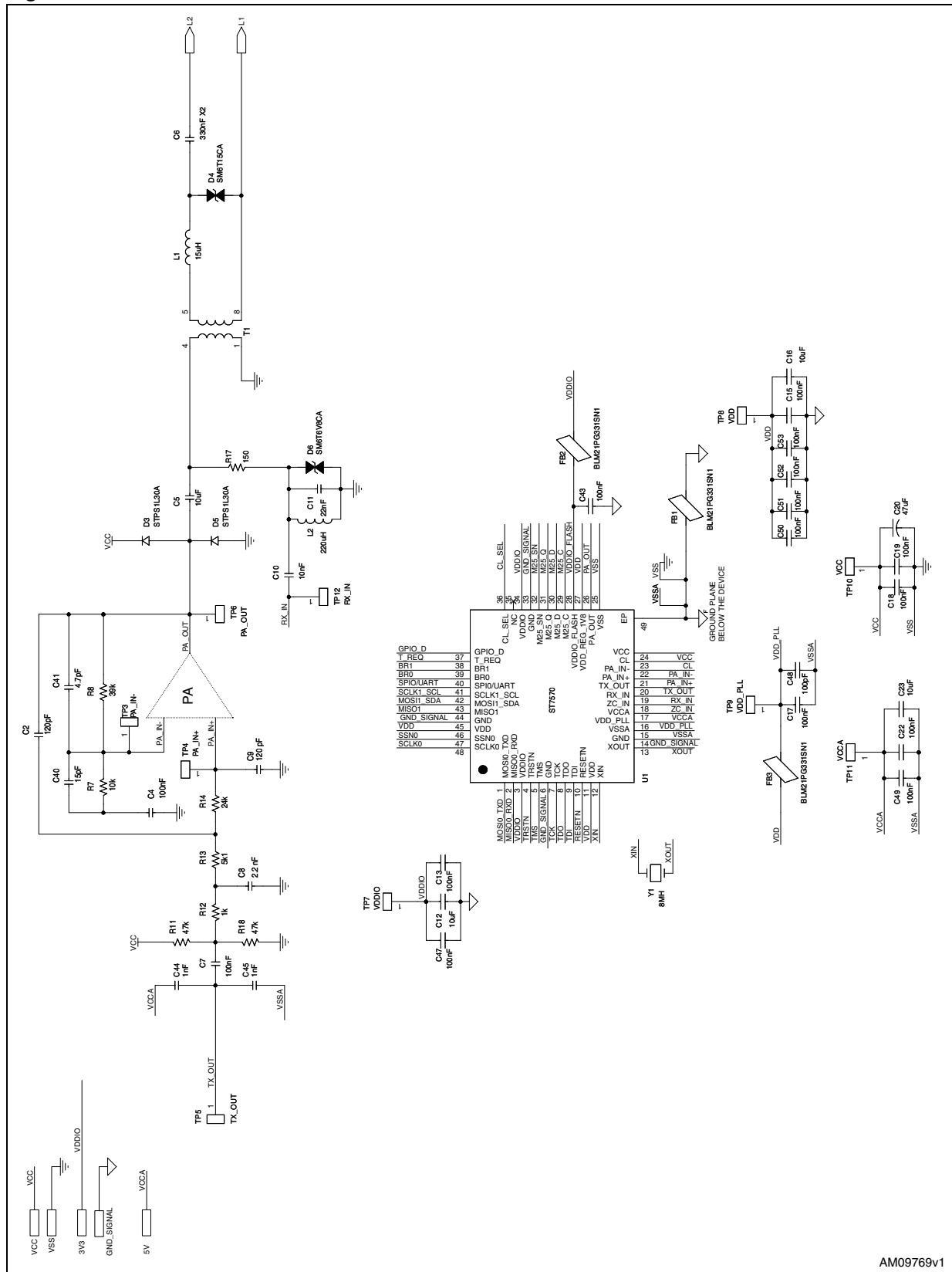


Figure 9. Microcontroller connection

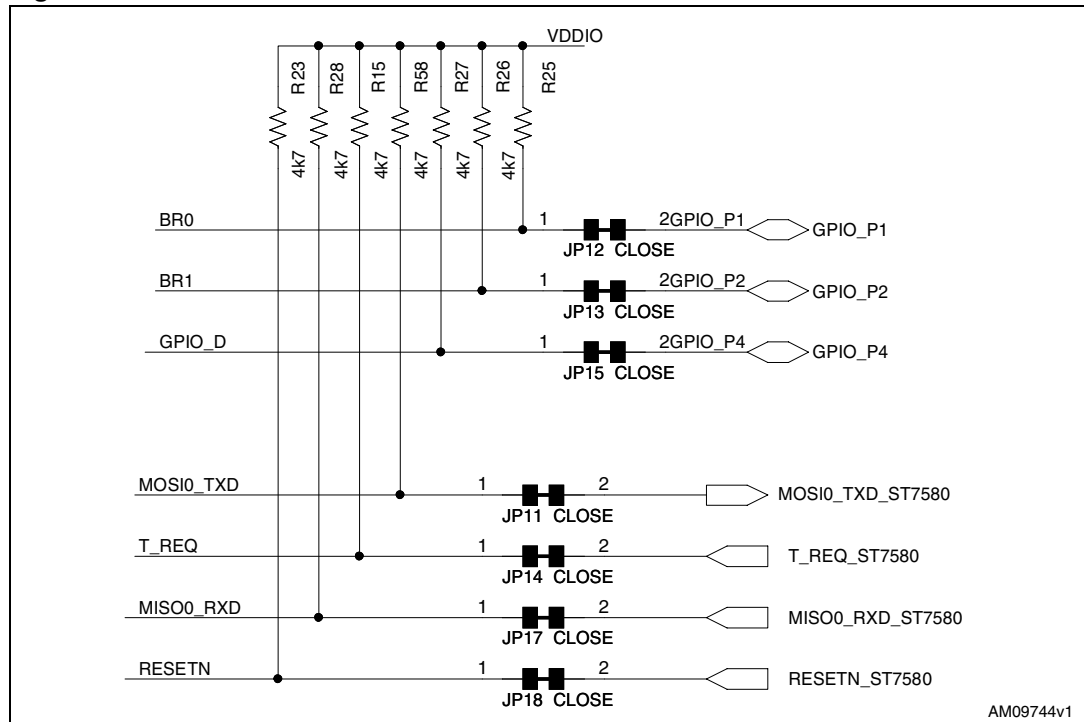


Figure 10. ST7580 reset button

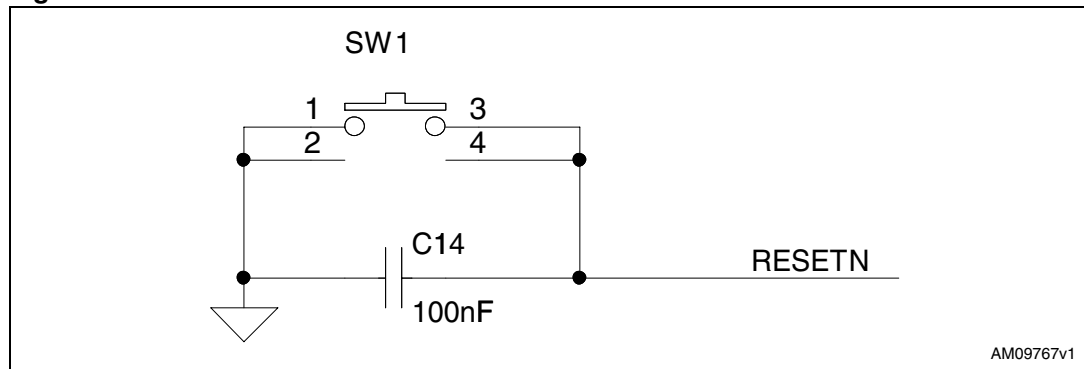


Figure 11. Current limit setting

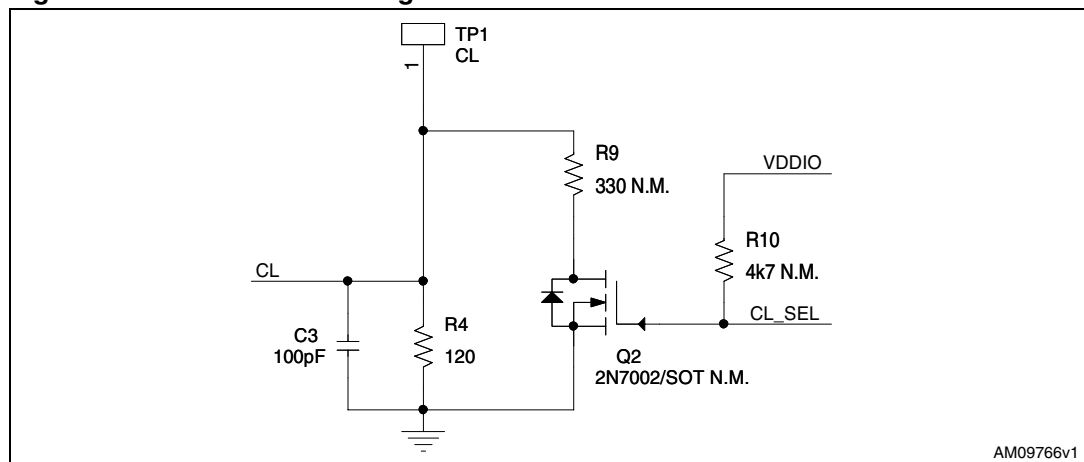




Figure 12. Non-isolated zero crossing

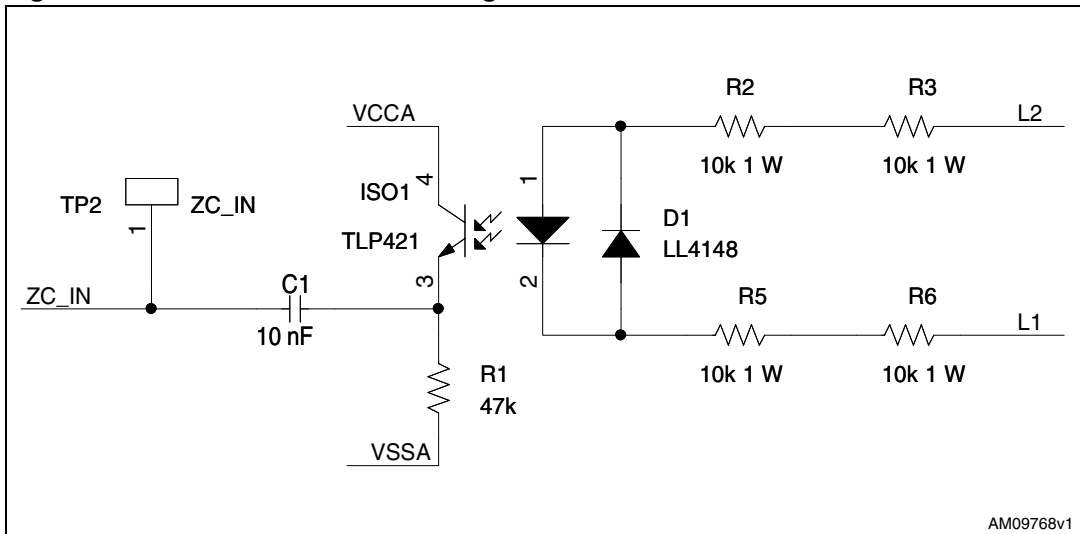


Figure 13. System JTAG connector

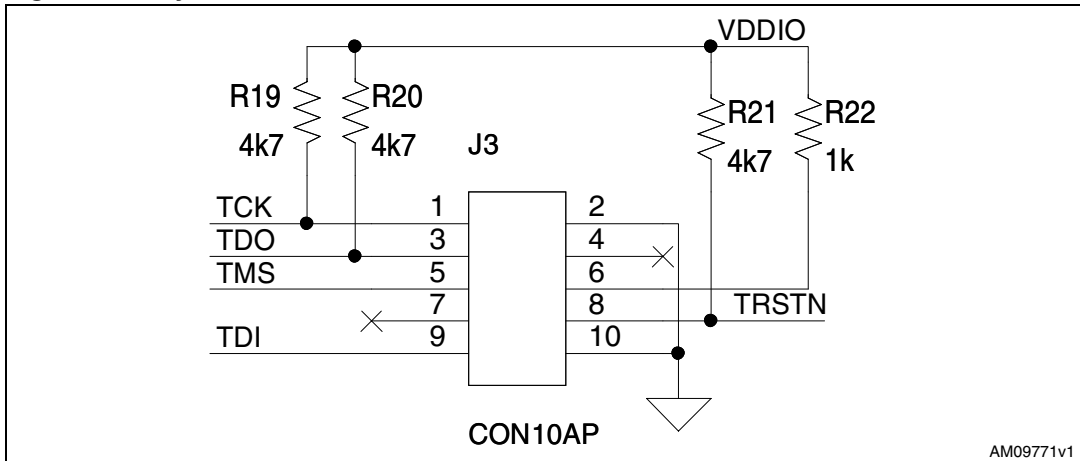


Figure 14. ST7580 UART interface

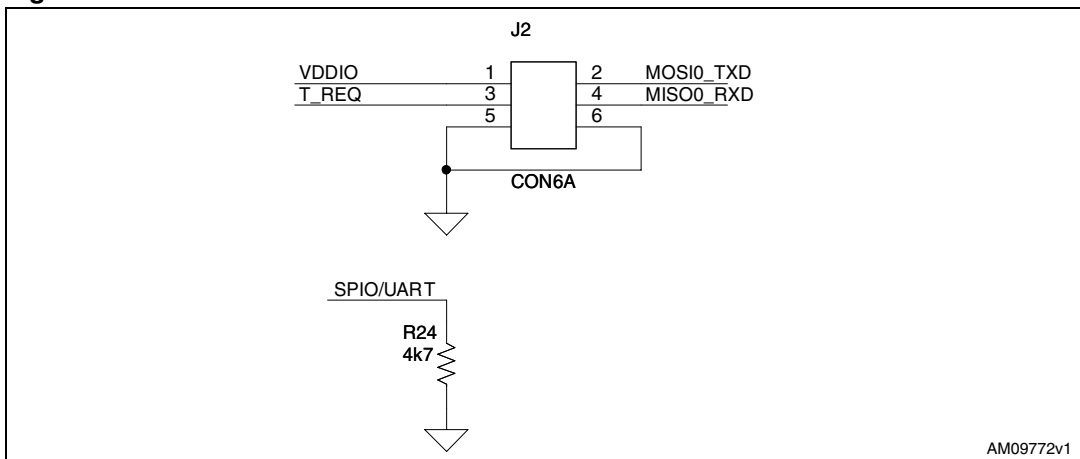


Figure 15. 8051 program Flash memory

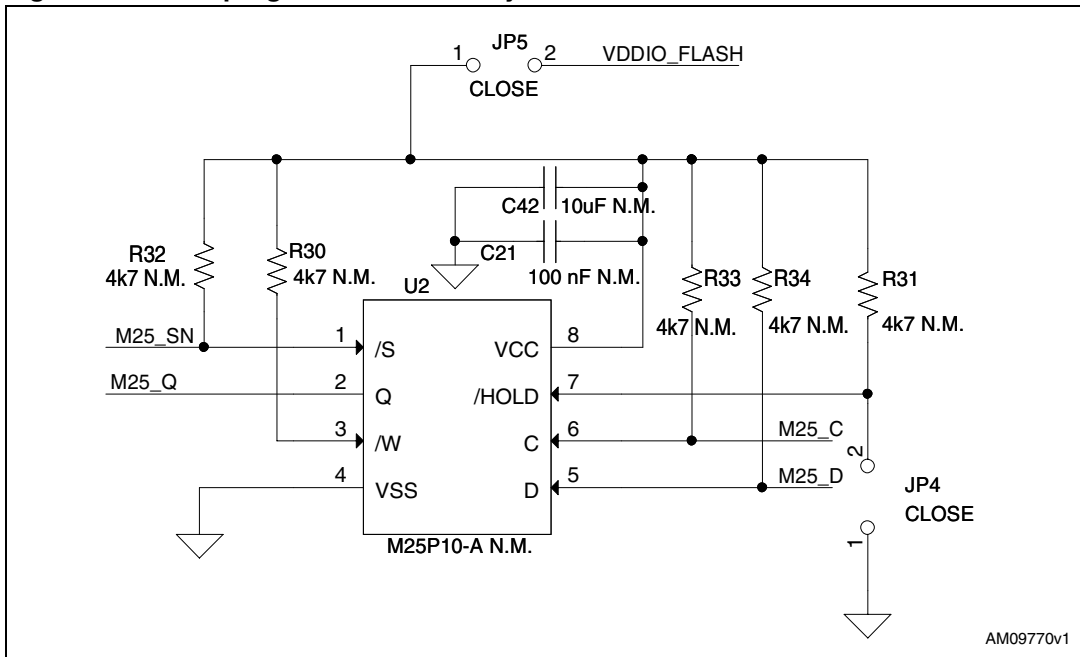
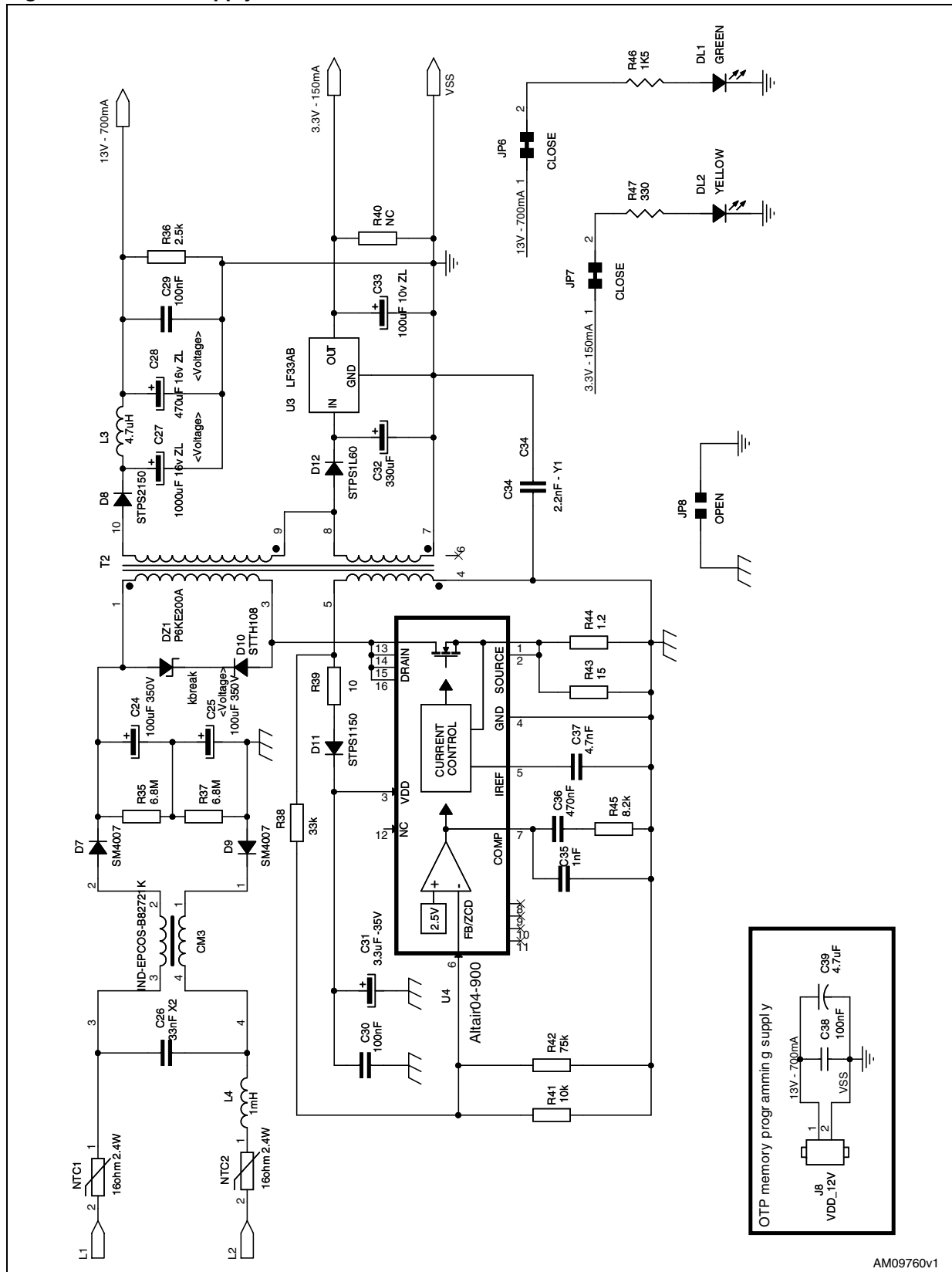
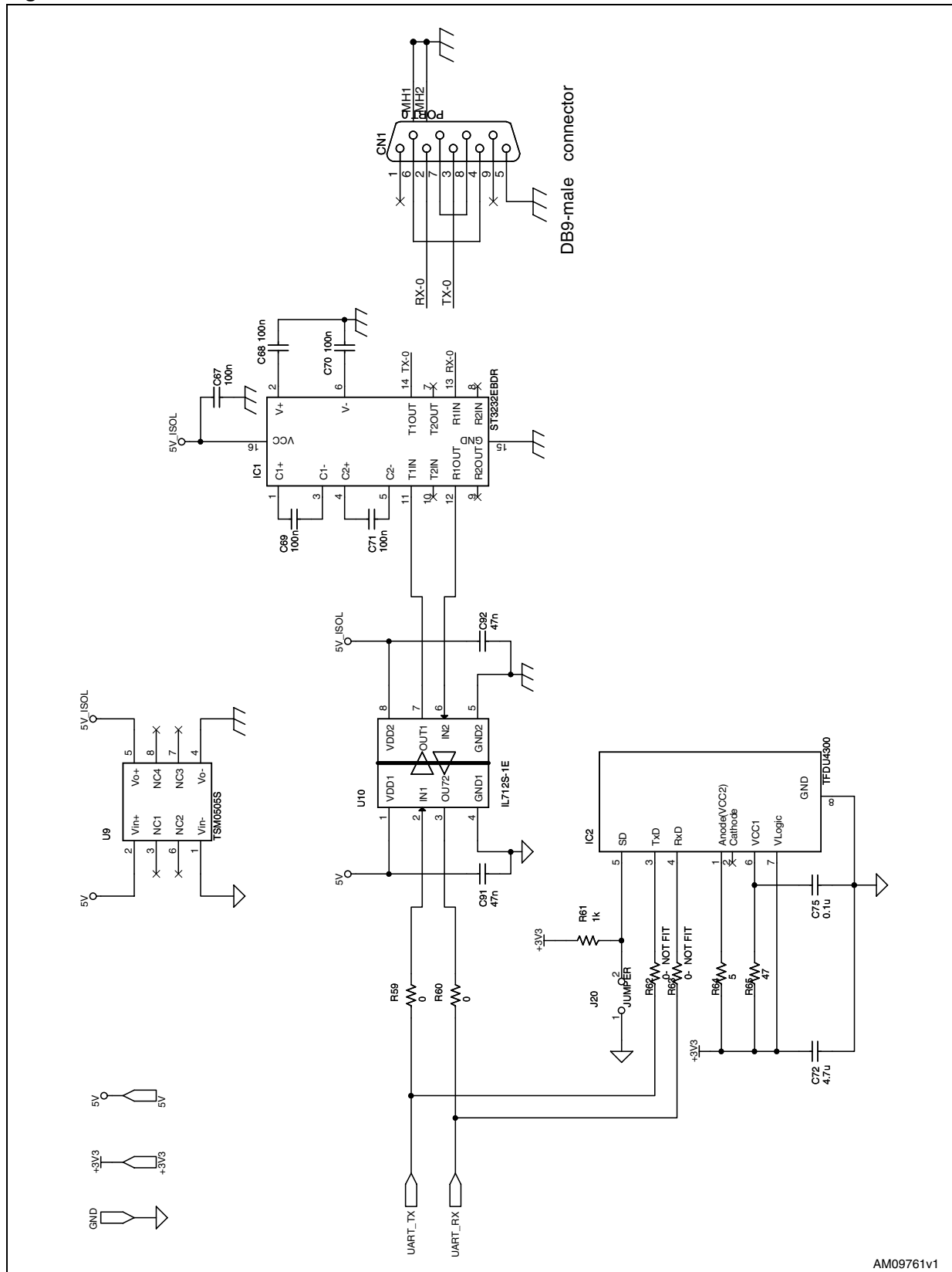


Figure 16. Power supply section



AM09760v1

Figure 17. RS232/IRDA section



AM09761v1

Figure 18. SC interface/user inputs section

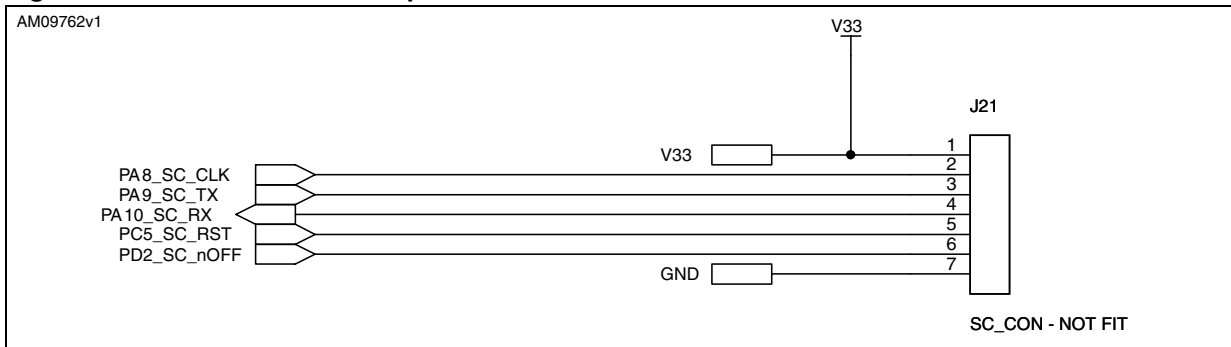


Figure 19. ZigBee® module section

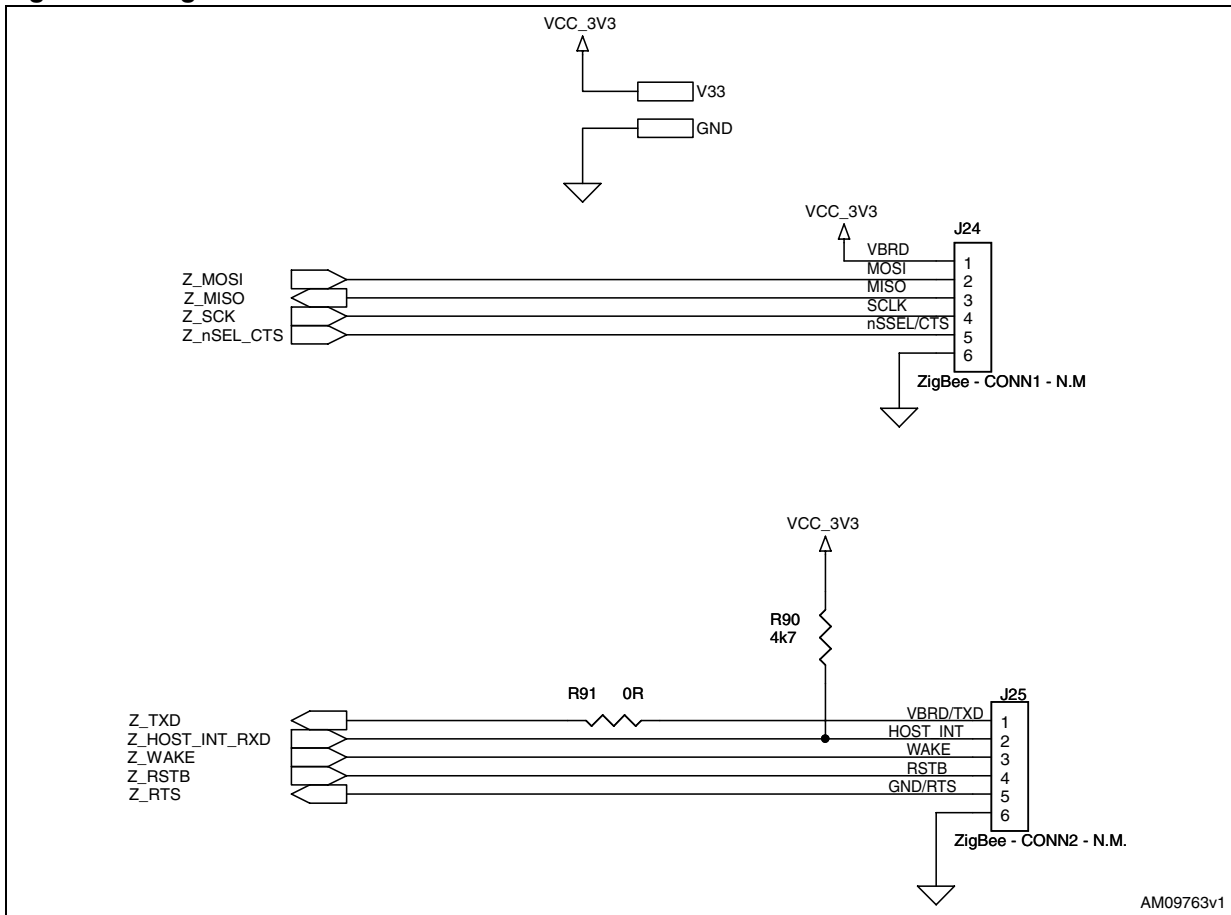
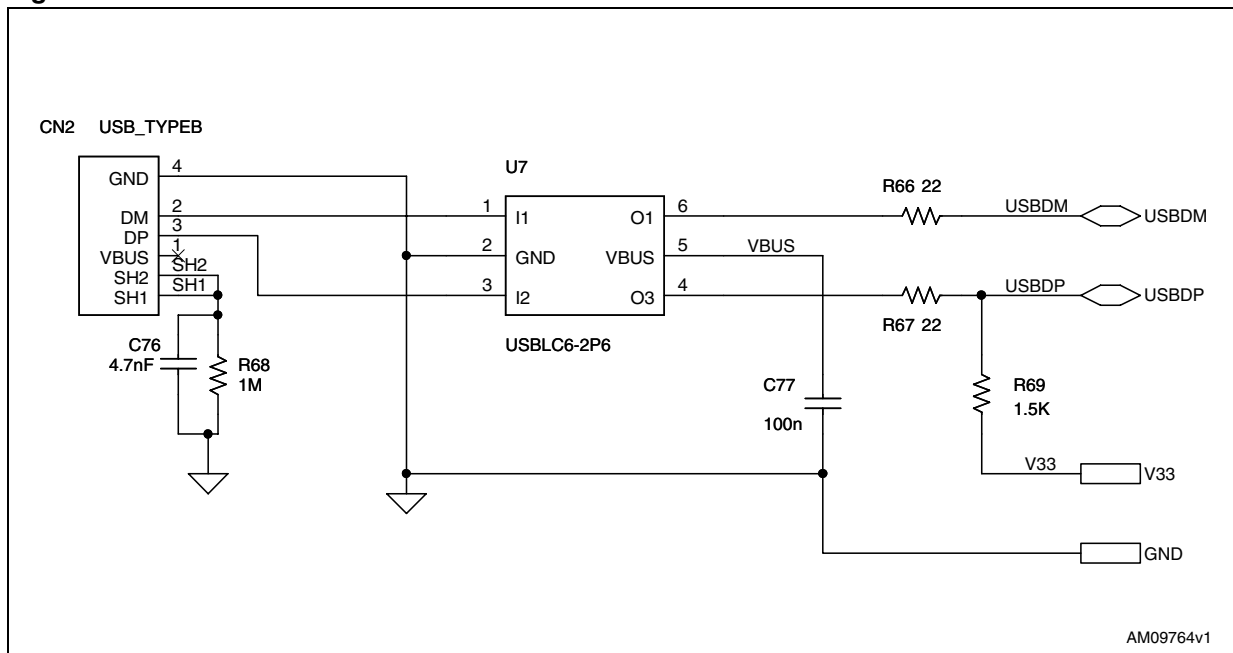


Figure 20. USB section



## 2 Revision history

**Table 1. Document revision history**

Date	Revision	Changes
12-May-2011	1	Initial release.
24-Aug-2011	2	Updated <i>Figure 16: Power supply section</i> with a new controller.

**Please Read Carefully:**

Information in this document is provided solely in connection with ST products. STMicroelectronics NV and its subsidiaries ("ST") reserve the right to make changes, corrections, modifications or improvements, to this document, and the products and services described herein at any time, without notice.

All ST products are sold pursuant to ST's terms and conditions of sale.

Purchasers are solely responsible for the choice, selection and use of the ST products and services described herein, and ST assumes no liability whatsoever relating to the choice, selection or use of the ST products and services described herein.

No license, express or implied, by estoppel or otherwise, to any intellectual property rights is granted under this document. If any part of this document refers to any third party products or services it shall not be deemed a license grant by ST for the use of such third party products or services, or any intellectual property contained therein or considered as a warranty covering the use in any manner whatsoever of such third party products or services or any intellectual property contained therein.

**UNLESS OTHERWISE SET FORTH IN ST'S TERMS AND CONDITIONS OF SALE ST DISCLAIMS ANY EXPRESS OR IMPLIED WARRANTY WITH RESPECT TO THE USE AND/OR SALE OF ST PRODUCTS INCLUDING WITHOUT LIMITATION IMPLIED WARRANTIES OF MERCHANTABILITY, FITNESS FOR A PARTICULAR PURPOSE (AND THEIR EQUIVALENTS UNDER THE LAWS OF ANY JURISDICTION), OR INFRINGEMENT OF ANY PATENT, COPYRIGHT OR OTHER INTELLECTUAL PROPERTY RIGHT.**

**UNLESS EXPRESSLY APPROVED IN WRITING BY TWO AUTHORIZED ST REPRESENTATIVES, ST PRODUCTS ARE NOT RECOMMENDED, AUTHORIZED OR WARRANTED FOR USE IN MILITARY, AIR CRAFT, SPACE, LIFE SAVING, OR LIFE SUSTAINING APPLICATIONS, NOR IN PRODUCTS OR SYSTEMS WHERE FAILURE OR MALFUNCTION MAY RESULT IN PERSONAL INJURY, DEATH, OR SEVERE PROPERTY OR ENVIRONMENTAL DAMAGE. ST PRODUCTS WHICH ARE NOT SPECIFIED AS "AUTOMOTIVE GRADE" MAY ONLY BE USED IN AUTOMOTIVE APPLICATIONS AT USER'S OWN RISK.**

Resale of ST products with provisions different from the statements and/or technical features set forth in this document shall immediately void any warranty granted by ST for the ST product or service described herein and shall not create or extend in any manner whatsoever, any liability of ST.

ST and the ST logo are trademarks or registered trademarks of ST in various countries.

Information in this document supersedes and replaces all information previously supplied.

The ST logo is a registered trademark of STMicroelectronics. All other names are the property of their respective owners.

© 2011 STMicroelectronics - All rights reserved

STMicroelectronics group of companies

Australia - Belgium - Brazil - Canada - China - Czech Republic - Finland - France - Germany - Hong Kong - India - Israel - Italy - Japan - Malaysia - Malta - Morocco - Philippines - Singapore - Spain - Sweden - Switzerland - United Kingdom - United States of America

[www.st.com](http://www.st.com)