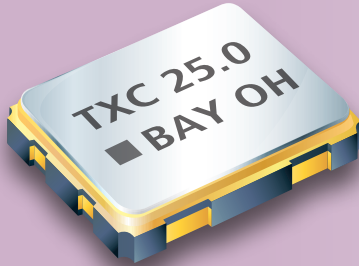


# SMD Oscillators- CMOS Output 5.0 x 3.2 x 1.2 mm AC Series



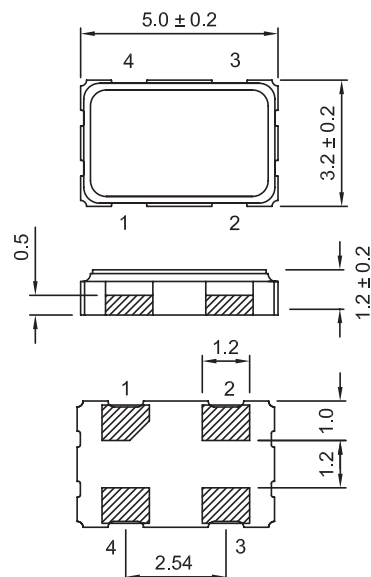
## Features

- Ultra small SMD seam sealed clock crystal oscillator units.
- High precision characteristic covering up to high frequency range.
- Designed for automatic mounting and reflow soldering.
- Tri-State function available.
- Supply voltage range : 1.8 V ~ 3.3 V.
- High stability, low jitter , low power consumption.
- RoHS Compliant / Pb Free.

## Electrical Specifications

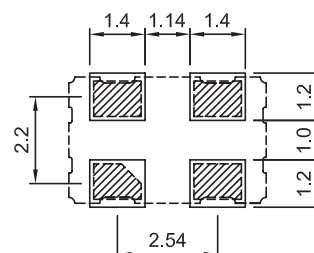
Item / Type	AC	
Output Type	CMOS	
Output Load	15 pF	30 pF
Oscillation Mode	Fundamental	
Supply Voltage	1.8 V , 2.5 V , 3.0 V , 3.3 V	
Frequency Range	1 MHz ~ 70 MHz , 10 mA Max.	
Frequency Stability	± 25 ppm , ± 50 ppm , ± 100 ppm	
Operating Temperature Range	- 40 ~ + 85 °C	
Storage Temperature Range	- 55 ~ + 125 °C	
Voltage Vol ( Max. ) / Voh ( Min. )	0.1 VDD / 0.9 VDD	
Rise ( Tr ) / Fall ( Tf ) Time	5 ns Max.	
Supply Current	1-70 MHz 10mA Max.	
Symmetry	45 ~ 55 %	
Start-up Time	5 ms Max.	
Phase Jitter ( 12 KHz ~ 20 MHz )	1 ps Max.	
Aging ( at 25 °C )	± 3 ppm / year Max.	
Reliability Standard	AEC-Q100	

## Dimensions



PAD FUNCTION:  
1:ENABLE CONTROL  
2:GND  
3:OUT  
4:VDD

### Suggested Layout



Units: mm