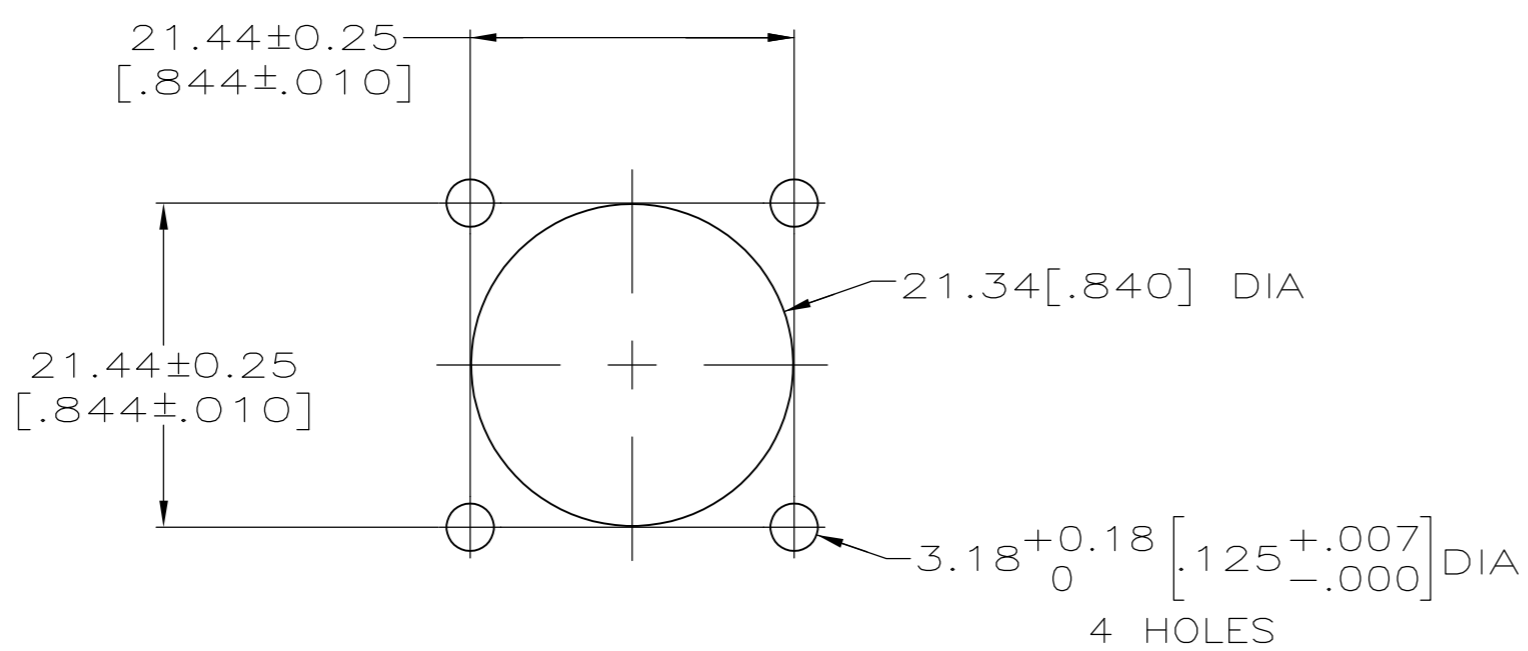
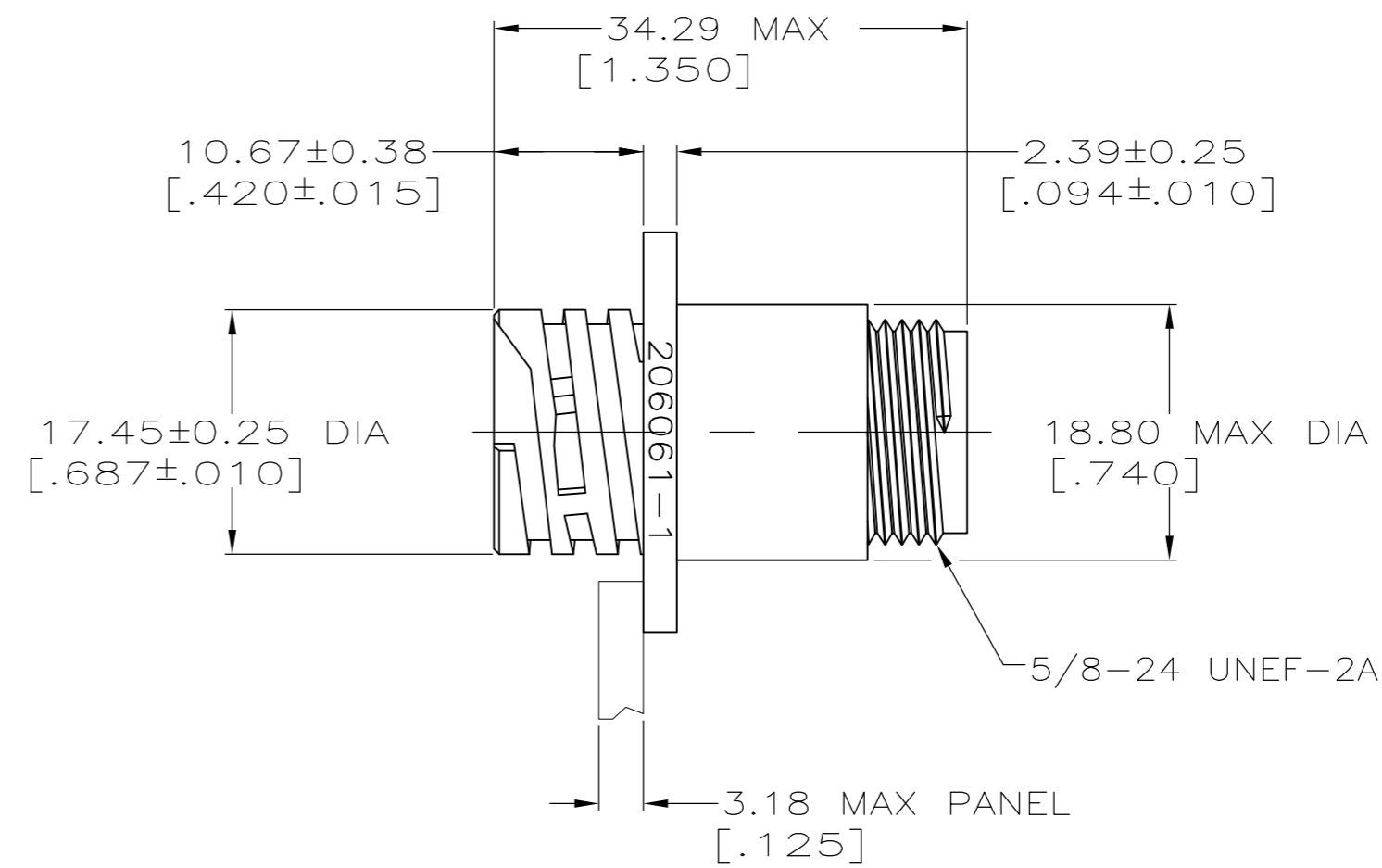
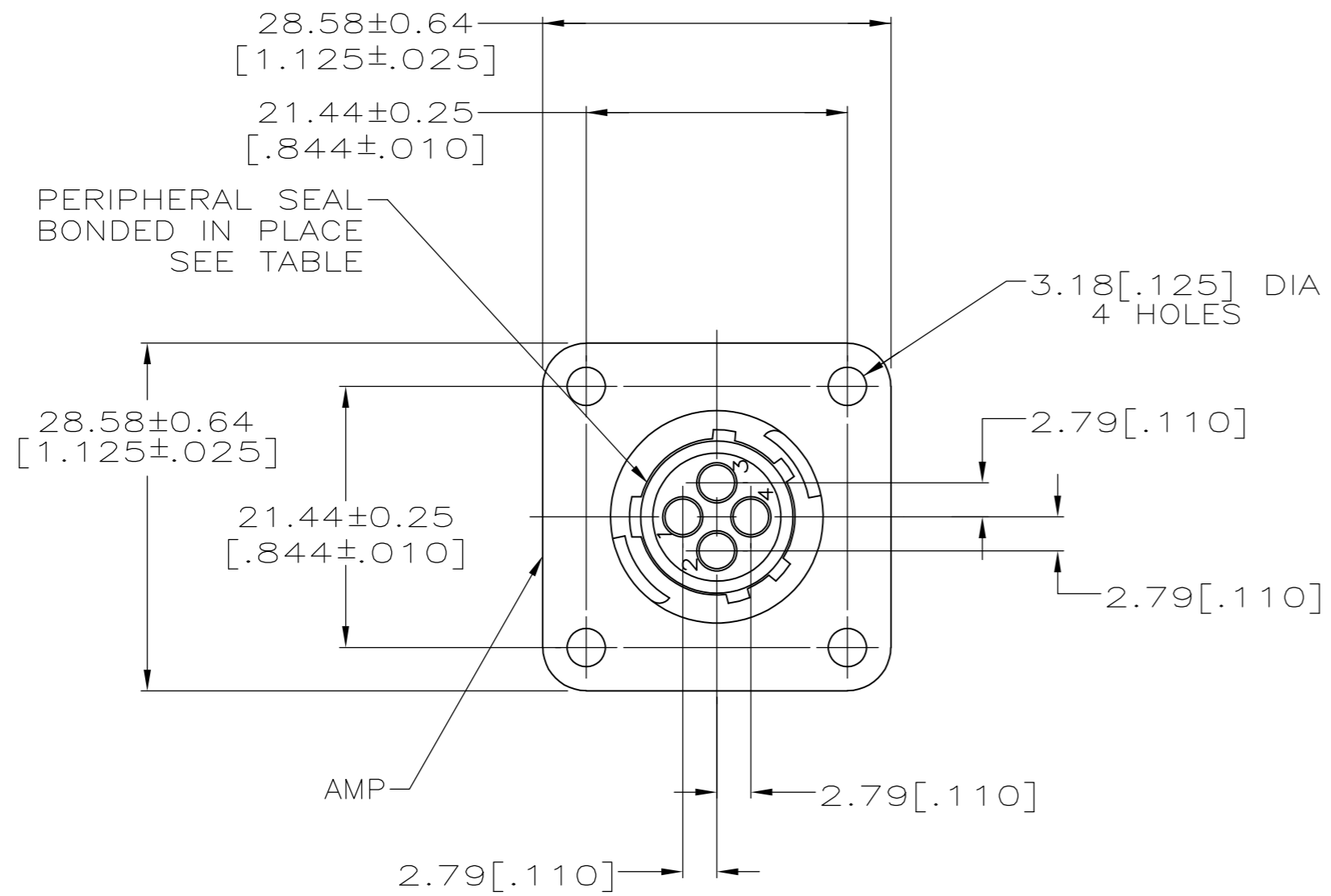
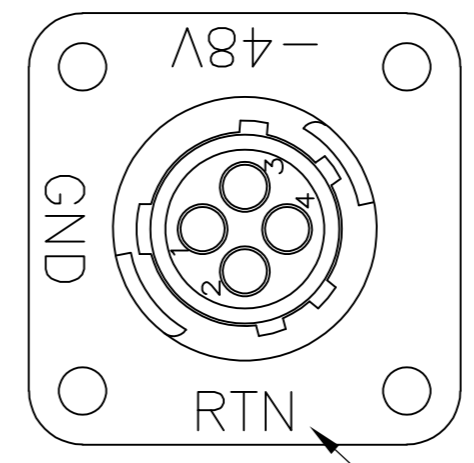


THIS DRAWING IS UNPUBLISHED. RELEASED FOR PUBLICATION
 © COPYRIGHT - By - ALL RIGHTS RESERVED.

LOC		DIST		REVISIONS			
P	LTR	DESCRIPTION		DATE	DWN	APVD	
FT	0	F1	REVISED PER ECO-11-004587		11MAR11	RK	HMR



RECOMMENDED PANEL CUTOUT



DETAIL A -5 ONLY
 RTN, GND AND -48V MARKED WITH WHITE INK, .118 MAX.

DETAIL A	STANDARD	NO	206061-5
-	SMALL PACK	NO	206061-3
-	STANDARD	YES	206061-2
-	STANDARD	NO	206061-1
MARKING	PACKAGING	PERIPHERAL SEAL	PART NO.

- NOTES:
1. CAVITY IDENTIFICATION ON FRONT AND REAR FACE.
 2. WILL ACCEPT FOUR (4) MULTIMATE PIN CONTACTS.

THIS DRAWING IS A CONTROLLED DOCUMENT.		DWN	07/26/93		TE Connectivity
		CHK	08/11/93		
DIMENSIONS: INCHES		TOLERANCES UNLESS OTHERWISE SPECIFIED:		NAME	
		0 PLC	± -	RECEPTACLE HOUSING, STANDARD SEX, SHELL SIZE 11, CPC	
		1 PLC	± -	-	
		2 PLC	± 0.13 [.005]	SIZE	
		3 PLC	± -	CAGE CODE	
		4 PLC	± -	DRAWING NO	
		ANGLES	± -	RESTRICTED TO	
MATERIAL: NYLON, BLACK		FINISH	-	A2 00779	
				C=206061	
				SCALE: 2:1 SHEET: 1 OF 1 REV: F1	
				CUSTOMER DRAWING	