

PART  
NAME

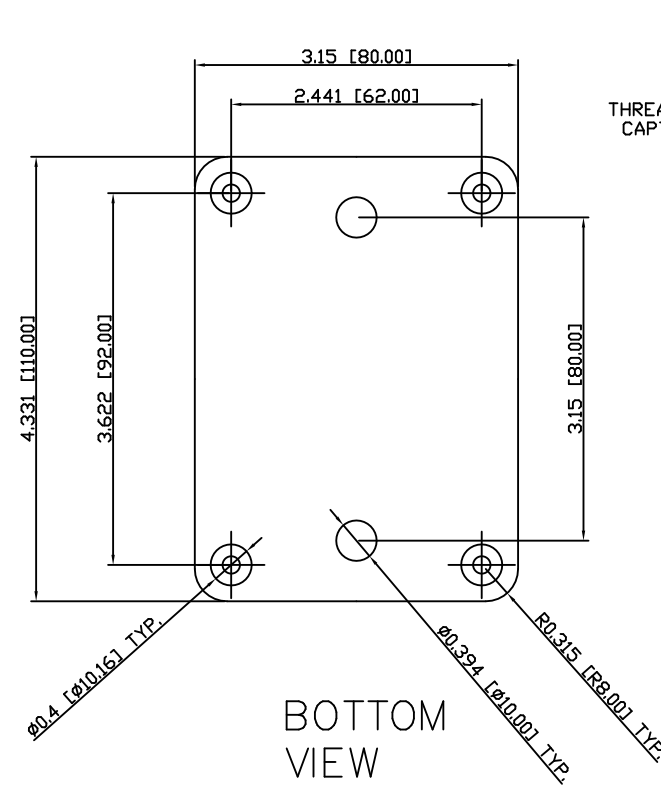
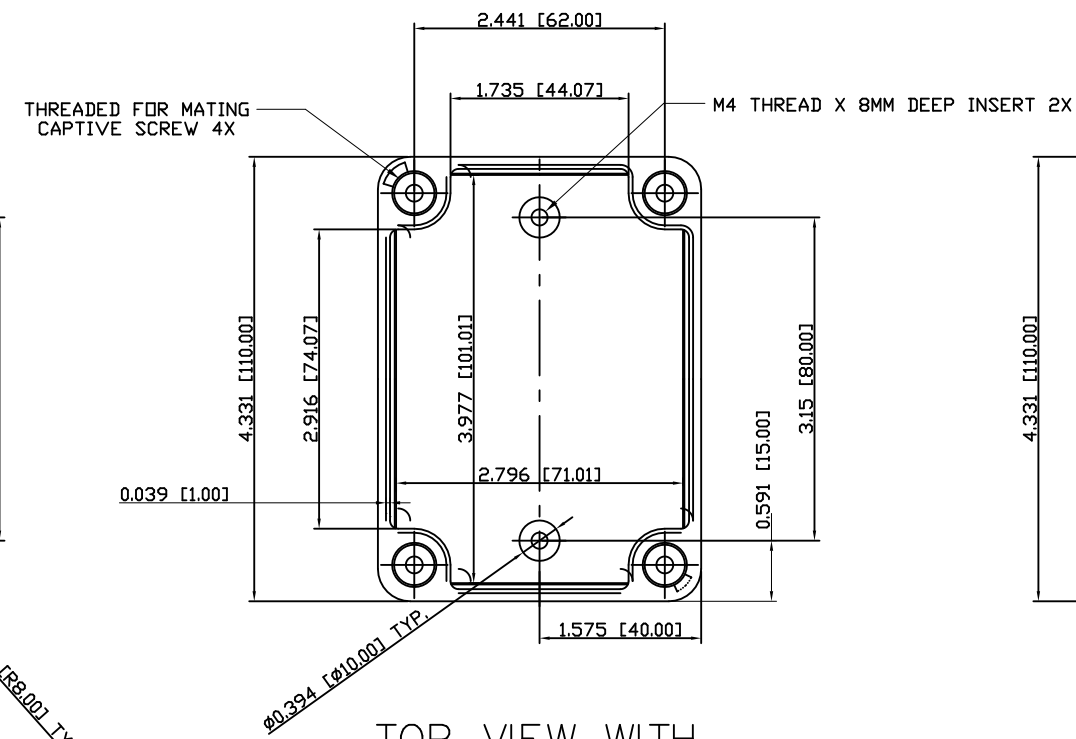
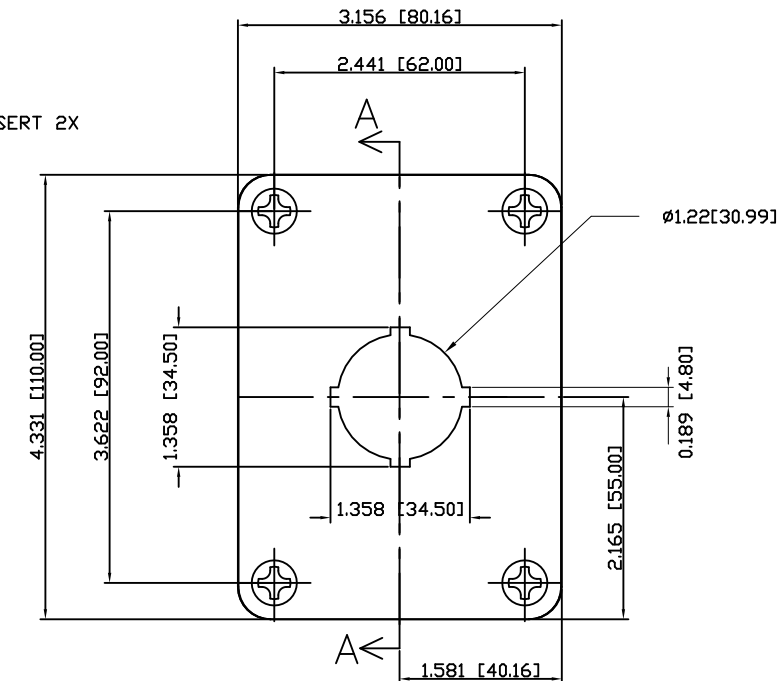
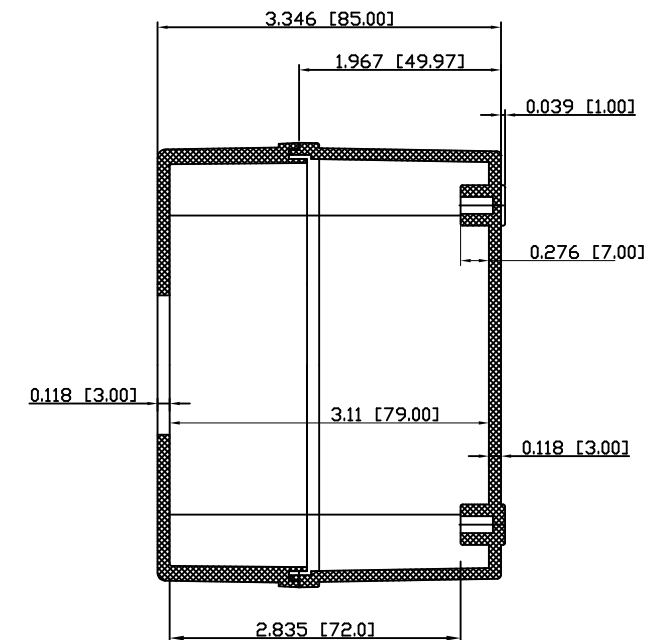
PUSH BUTTON BOX - 1 HOLE (30MM)

PART  
No.

PBB-11831-1

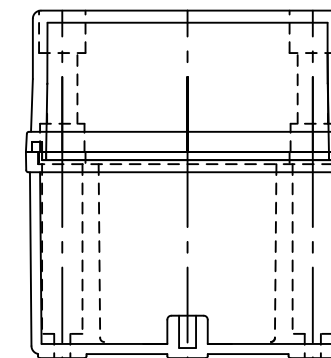
REVISION  
DATE

2-24-14

BOTTOM  
VIEWTOP VIEW WITH  
COVER REMOVEDTOP VIEW  
WITH COVERSECTION  
A-A

## NOTES:

- 1- MATERIAL: BODY- GRAY POLYCARBONATE, 10% GLASS FIBER FILLED  
COVER - GRAY POLYCARBONATE
- 2- IP-67 TUV AND UL-94V0 RATING
- 3- UL508/NEMA TYPE 4X AND TYPE 6 LISTED #E343339
- 4- CONTINUOUS GASKET IN COVER
- 5- FOUR NON-METALLIC CAPTIVE SCREWS PROVIDED
- 6- ALL HOLE DIAMETERS HAVE +/- .005[0.12] TOLERANCE  
ALL OTHER DIMENSIONS HAVE +/- .015[.38] TOLERANCE
- 7- DIMENSIONS ARE INCH[MM]



FRONT VIEW