



PART NAME

# PIP SERIES - PC 10% FIBERGLASS BOX

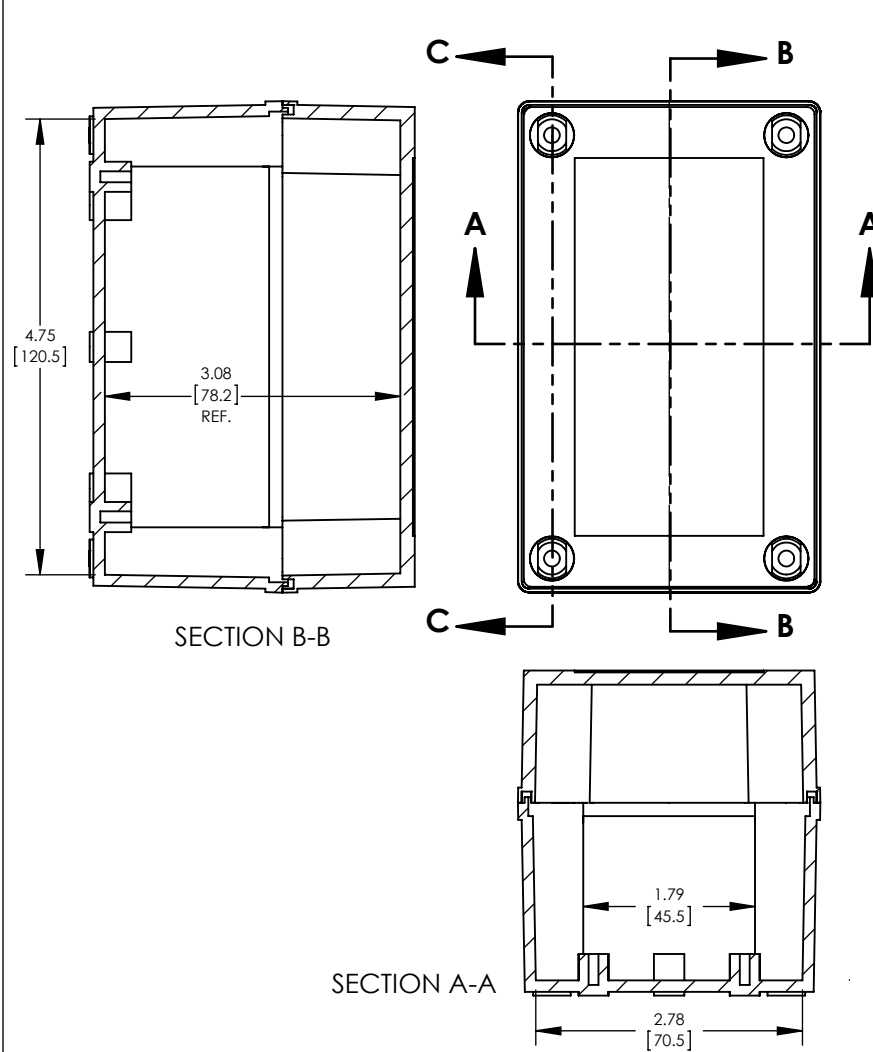
PART No.

PIP-11763

PIP-11763-C

REVISION DATE

3-28-14



## ASSEMBLY

- NOTES:  
 1- MATERIAL: BODY AND COVER - POLYCARBONATE  
 10% FIBERGLASS REINFORCED  
 2- FINISH: BODY - LIGHT GRAY  
 COVER - LIGHT GRAY/CLEAR  
 3- ALL HOLE DIAMETERS HAVE +/- .005 [0.13] TOLERANCE  
 ALL OTHER DIMENSIONS HAVE +/- .03 [0.76] TOLERANCE  
 UNLESS OTHERWISE SPECIFIED  
 4- SUPPLIED WITH NON-METALLIC CAPTIVE SCREWS  
 5- FOUR M4 THREAD FORMING SCREWS SUPPLIED  
 6- DIMENSIONS ARE INCH [MM]

