



PART NAME

PIP SERIES - PC 10% FIBERGLASS BOX

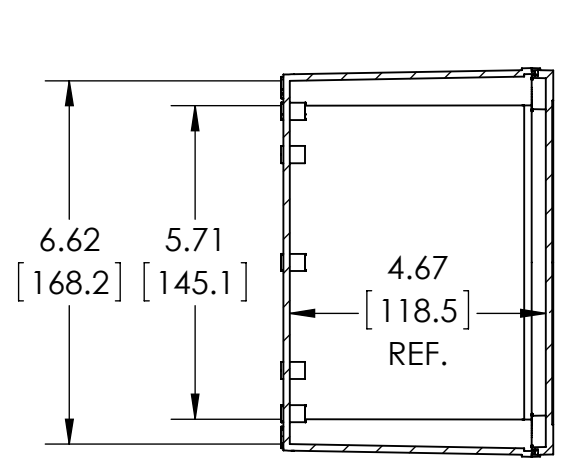
PART No.

PIP-11774

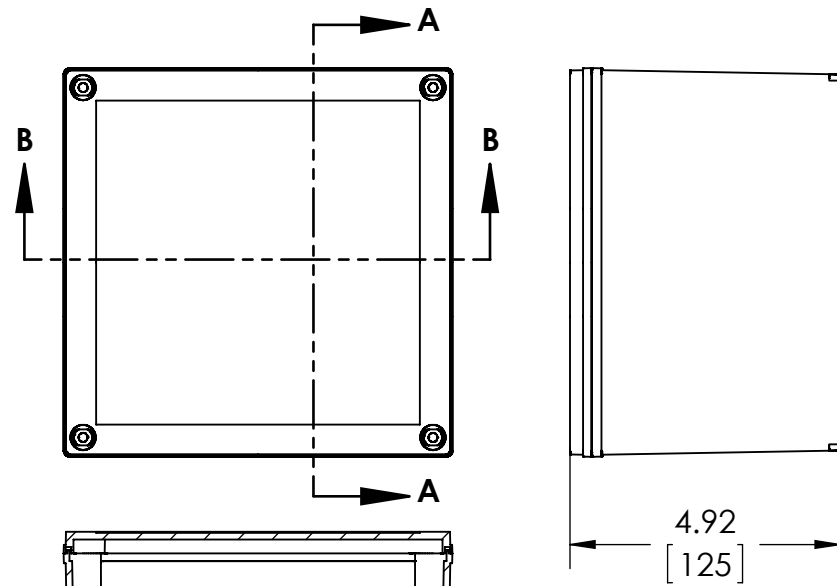
PIP-11774-C

REVISION DATE

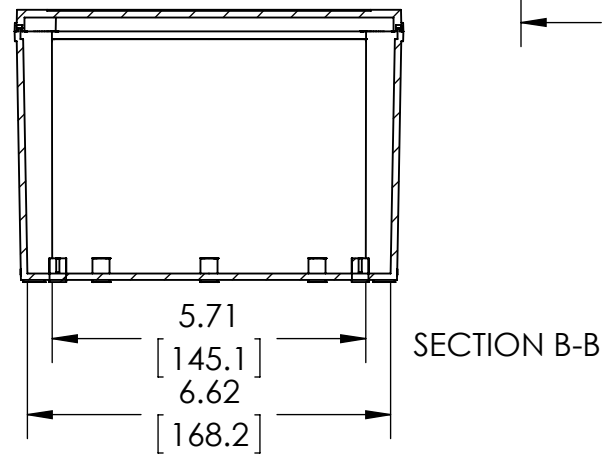
3-28-14



SECTION A-A

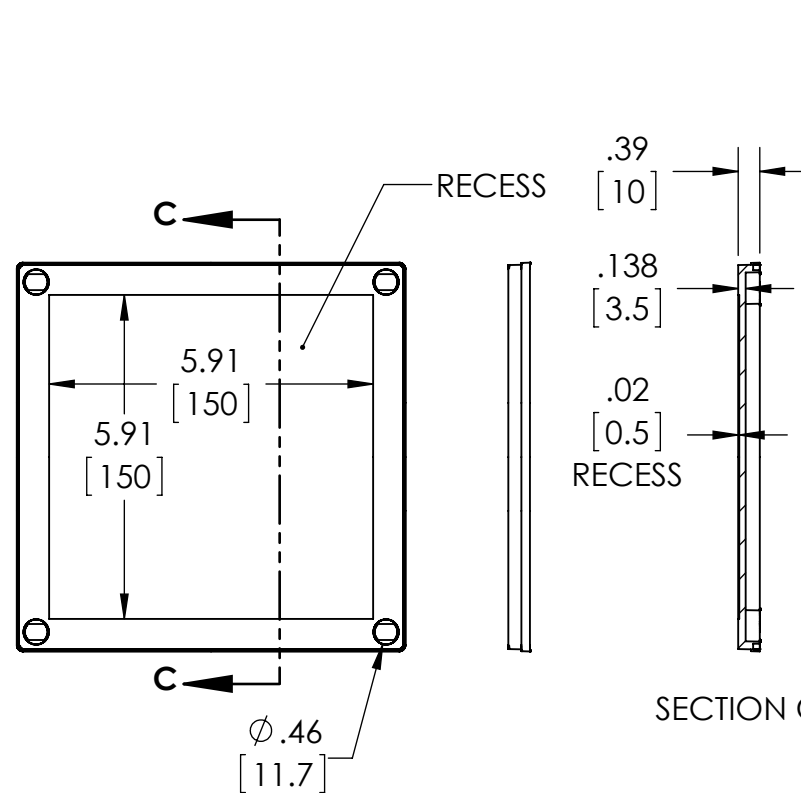
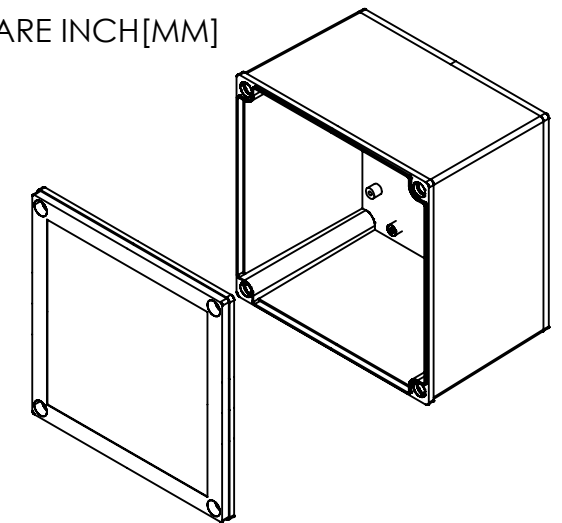


ASSEMBLY

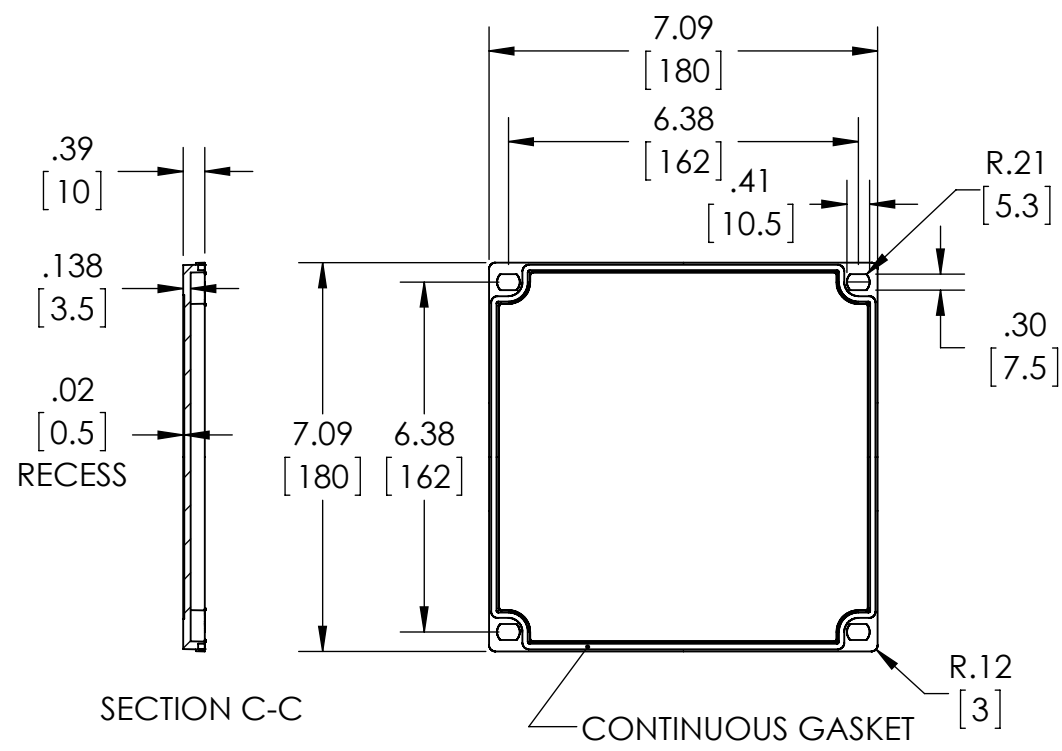


SECTION B-B

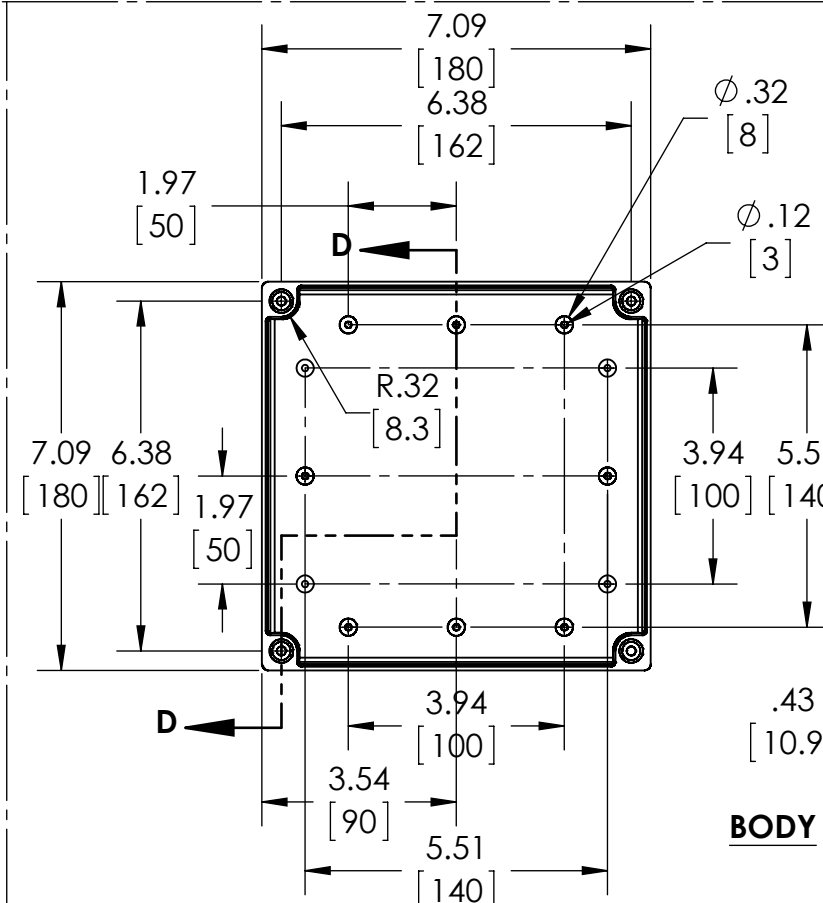
- NOTES:
- 1- MATERIAL: BODY AND COVER - POLYCARBONATE
10% FIBERGLASS REINFORCED
 - 2- FINISH: BODY - LIGHT GRAY
COVER - LIGHT GRAY/CLEAR
 - 3- ALL HOLE DIAMETERS HAVE +/- .005 [.13] TOLERANCE
ALL OTHER DIMENSIONS HAVE +/- .03 [.76] TOLERANCE
UNLESS OTHERWISE SPECIFIED
 - 4- SUPPLIED WITH NON-METALLIC CAPTIVE SCREWS
 - 5- FOUR M4 THREAD FORMING SCREWS SUPPLIED
 - 6- DIMENSIONS ARE INCH[MM]



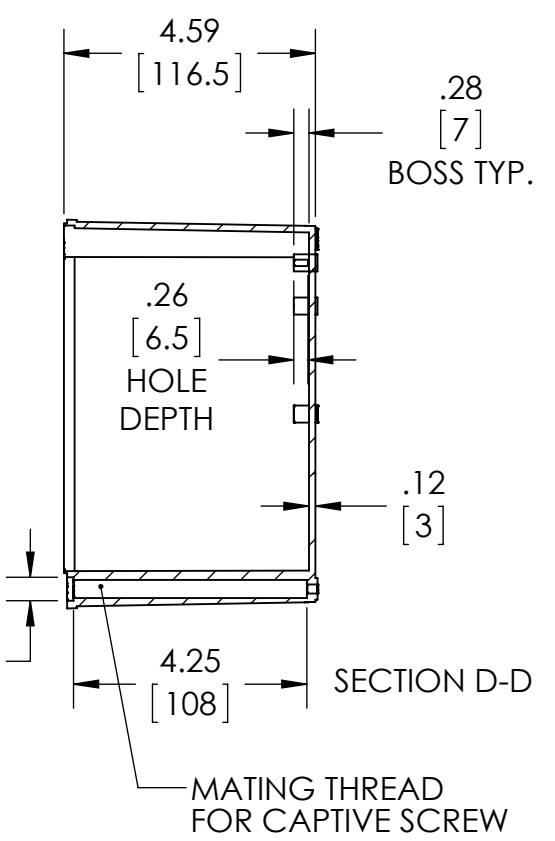
COVER



SECTION C-C



BODY



SECTION D-D