

**Ordering number CA12584_LXB2-RS2**

Family	Leila	FWHM	9 degrees
Type	Assembly	Efficiency	85 %
LED	XB-D	cd/lm	21.000
Color	Black	Gerber File	Available
Diameter	21.6 mm		
Height	14.6 mm		
Style	Round		
Optic Material	PMMA		
Holder Material	PC		
Fastening	Tape		
Status	Ready		

**Ordering number CA12844_LXB2-O-90**

Family	Leila	FWHM	10+36 degrees
Type	Assembly	Efficiency	80 %
LED	XB-D	cd/lm	4.680
Color	Black	Gerber File	Available
Diameter	21.6 mm		
Height	14.6 mm		
Style	Round		
Optic Material	PMMA		
Holder Material	PC		
Fastening	Tape		
Status	Ready		

**Ordering number CA12665_LXB2-D**

Family	Leila	FWHM	12 degrees
Type	Assembly	Efficiency	80 %
LED	XB-D	cd/lm	11.500
Color	Black	Gerber File	Available
Diameter	21.6 mm		
Height	14.6 mm		
Style	Round		
Optic Material	PMMA		
Holder Material	PC		
Fastening	Tape		
Status	Ready		

**Ordering number CA12666_LXB2-M**

Family	Leila	FWHM	22 degrees
Type	Assembly	Efficiency	81 %
LED	XB-D	cd/lm	4.590
Color	Black	Gerber File	Available
Diameter	21.6 mm		
Height	14.6 mm		
Style	Round		
Optic Material	PMMA		
Holder Material	PC		
Fastening	Tape		
Status	Ready		



Ordering number CA12667_LXB2-W

Family	Leila	FWHM	41 degrees
Type	Assembly	Efficiency	81 %
LED	XB-D	cd/lm	1.630
Color	Black	Gerber File	Available
Diameter	21.6 mm		
Height	14.6 mm		
Style	Round		
Optic Material	PMMA		
Holder Material	PC		
Fastening	Tape		
Status	Ready		

NOTE: The typical divergence will be changed by different color, chip size and chip position tolerance. The typical total divergence is the full angle measured where the luminous intensity is half of the peak value.



PRODUCT DATASHEET

Leila series

last update 4/6/2012

GENERAL INFORMATION

- Product series especially designed & optimized for XB-D series of LEDs.
- Special care taken to make light distribution as uniform as possible.
- Lens material optical grade PMMA with high UV and temperature resistance (105 degrees of Celcius / 220 degrees of Fahrenheit). Allows use of high current and temperature conditions.

Please find more information about used material from below:

http://ledil.fi/sites/default/files/Documents/Technical/Material/PMMA%20N%20UL94_Yellow%20Card.pdf

<http://ledil.fi/sites/default/files/Documents/Technical/Material/PMMA%20N%20PLEXIGLAS-Datasheet.pdf>

- Optic holder molded by high quality PC material (120 dergees of Celcius / 248 degrees of Fahrenheit).

- Fastening to heat sink with a PU foam adhesive tape of automotive grade. Please find fastening details by clicking link: http://www.ledil.com/datasheets/DataSheet_TAPE.pdf

NOTE 1: We advise customer to ensure the suitability and sufficiency of the bond in the end product. For example, mechanical stress, vibration and holes on the surface of the circuit board weaken the strength of the tape.

NOTE 2: Assembly to the surface must be made straight, so the tape bonds constant and balanced with fastening surface. Slanted assembly might cause unbalanced bond to the surface. All surfaces where tape is applied must be clean, dry and free from grease and dirt.

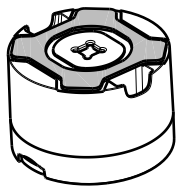
If cleaning of PCB surfaces is needed, please follow strictly the cleaning instructions of your LED manufacturer - this is important as cleaning shall under no circumstances damage LEDs or other electronics components on the PCB.

Further note that optical components shall not be cleaned with any chemicals - only micro fiber cloth may be used to remove fingerprints or other traces from handling.

D C B A

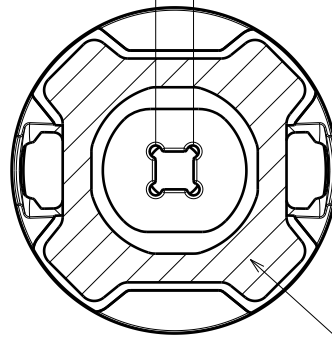
4

4



Isometric view
Scale: 1:1

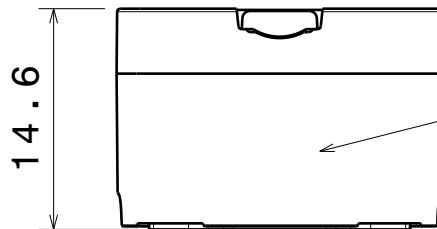
2.5



Tape

3

3



Holder

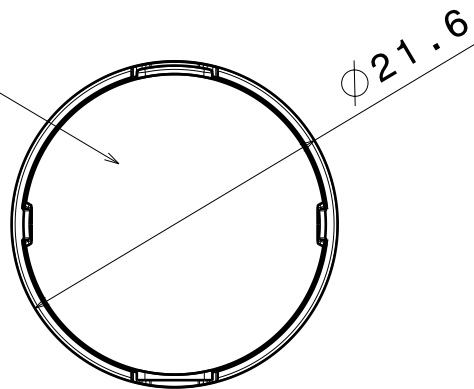
2

2

Materials:
Lens PMMA
Holder PC, Black
Tape PU foam with PSA

Tolerances for dimensions:
0-20mm tolerance value $\pm 0.1\text{mm}$
21-45mm tolerance value $\pm 0.2\text{mm}$
46-90mm tolerance value $\pm 0.3\text{mm}$
91-100mm tolerance value $\pm 0.4\text{mm}$
101-mm tolerance value $\pm 0.5\text{mm}$

Lens



$\varnothing 21.6$

This drawing is our property.
It can't be reproduced
or communicated without
our written agreement.



Ledil Oy
Salorankatu 10
FIN 24240 SALO
Finland

DRAWING TITLE

Datasheet LXB2 Tape Assy

DRAWN BY

pv

DATE

11.04.2012

CHECKED BY

sn

DATE

19.01.2012

DESIGNED BY

pv

DATE

19.01.2012

SIZE

A4

DRAWING NUMBER

-

REV

1

SCALE

2:1

WEIGHT (g)

SHEET

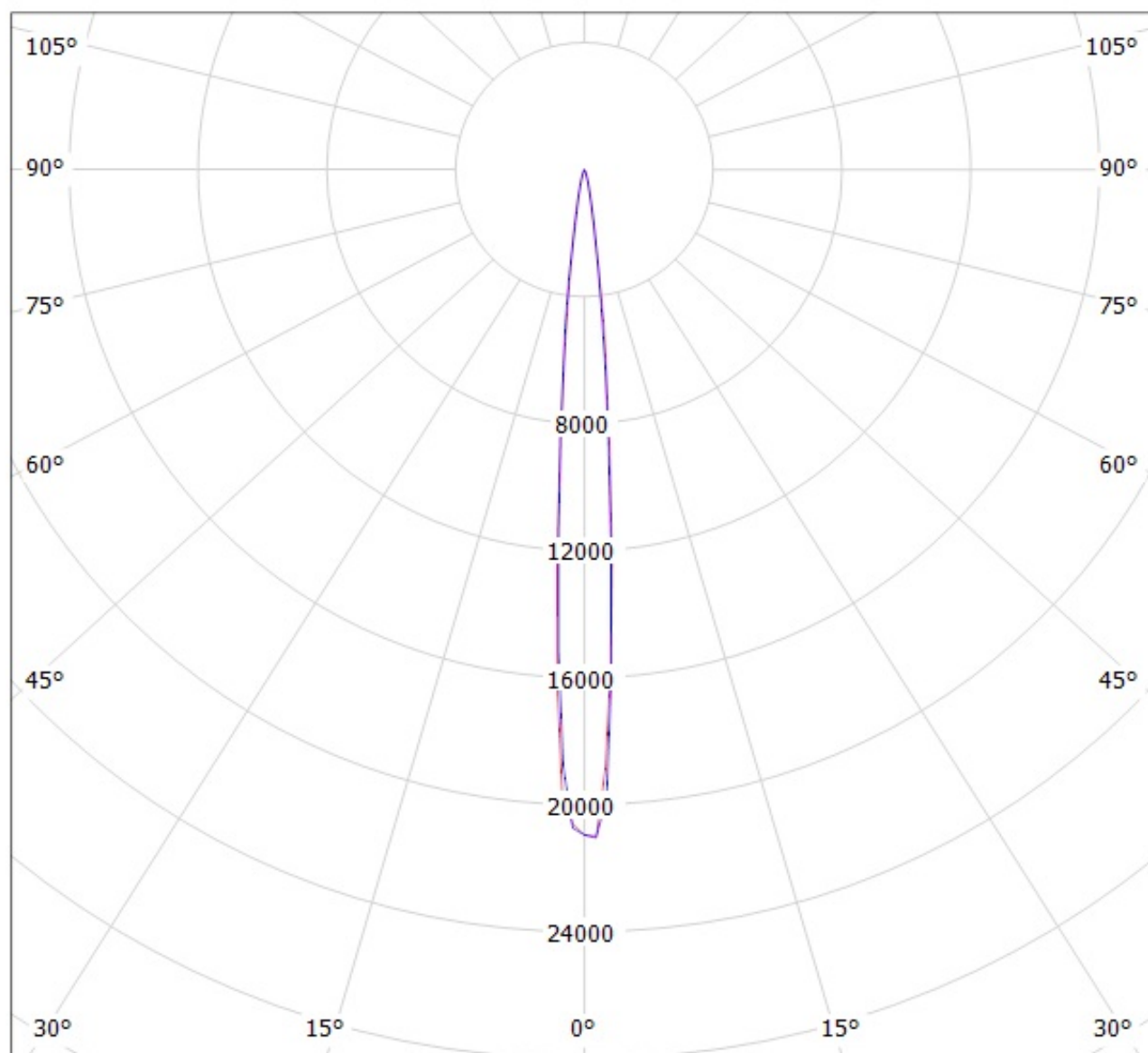
1/1

1

1

A

Luminaire: Ledil Oy CA12584_LXB2-RS2 Efficiency=85%
Lamps: 1 x Cree XB-D warm (84lm @ 250mA)

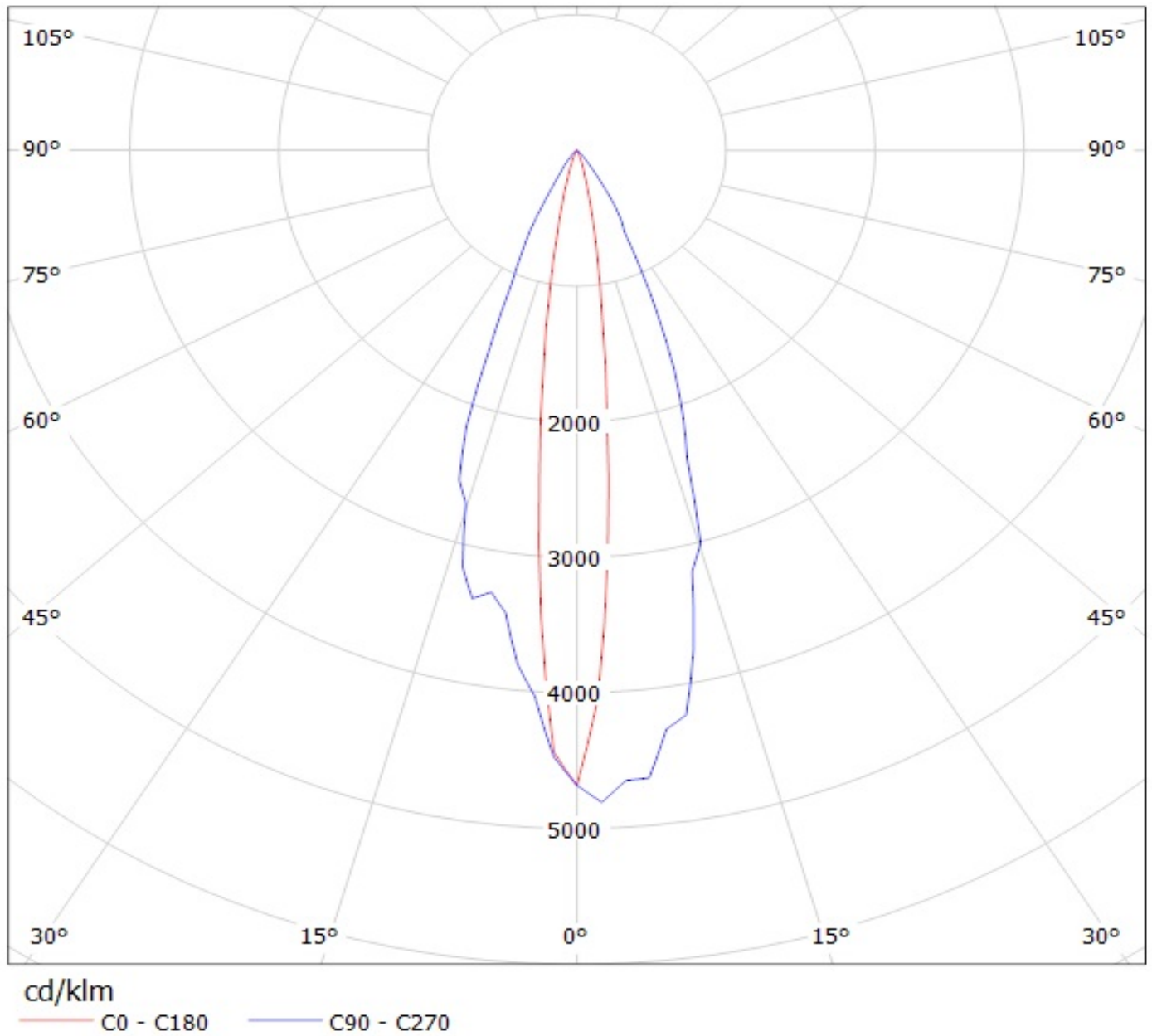


cd/klm

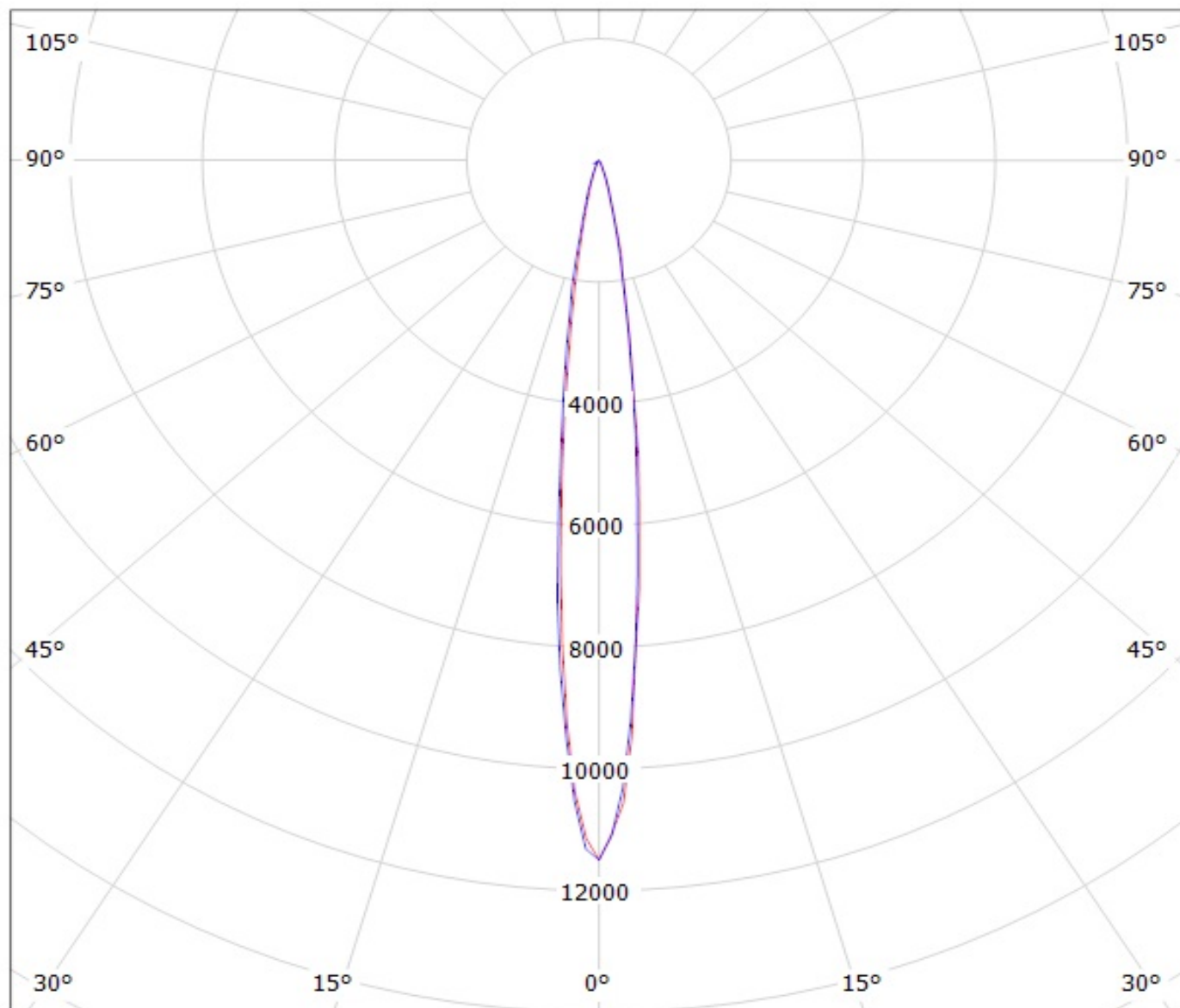
— C0 - C180

— C90 - C270

Luminaire: Ledil Oy CA12844_LXB2-O-90 (Cree XB-D 84lm @ 250mA) LOR=80%
Lamps: 1 x Cree XB-D 84lm @ 250mA



Luminaire: Ledil Oy CA12665_LXB2-D (Cree XB-D 84lm @ 250mA) LOR=80%
Lamps: 1 x Cree XB-D 84lm @ 250mA

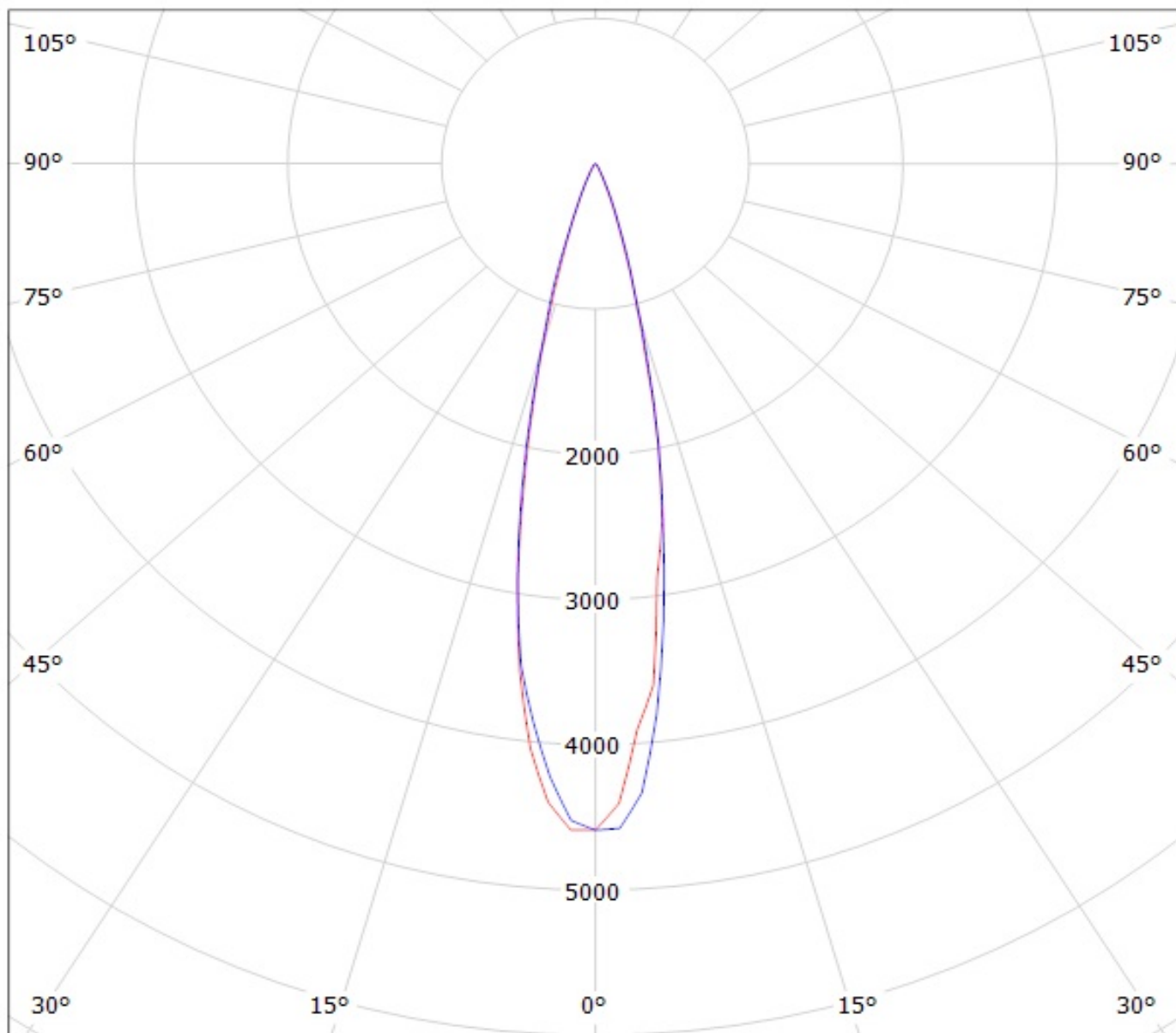


cd/klm

— C0 - C180

— C90 - C270

Luminaire: Ledil Oy CA12666_LXB2-M (Cree XB-D 84lm @ 250mA) LOR=81%
Lamps: 1 x Cree XB-D 84lm @ 250mA

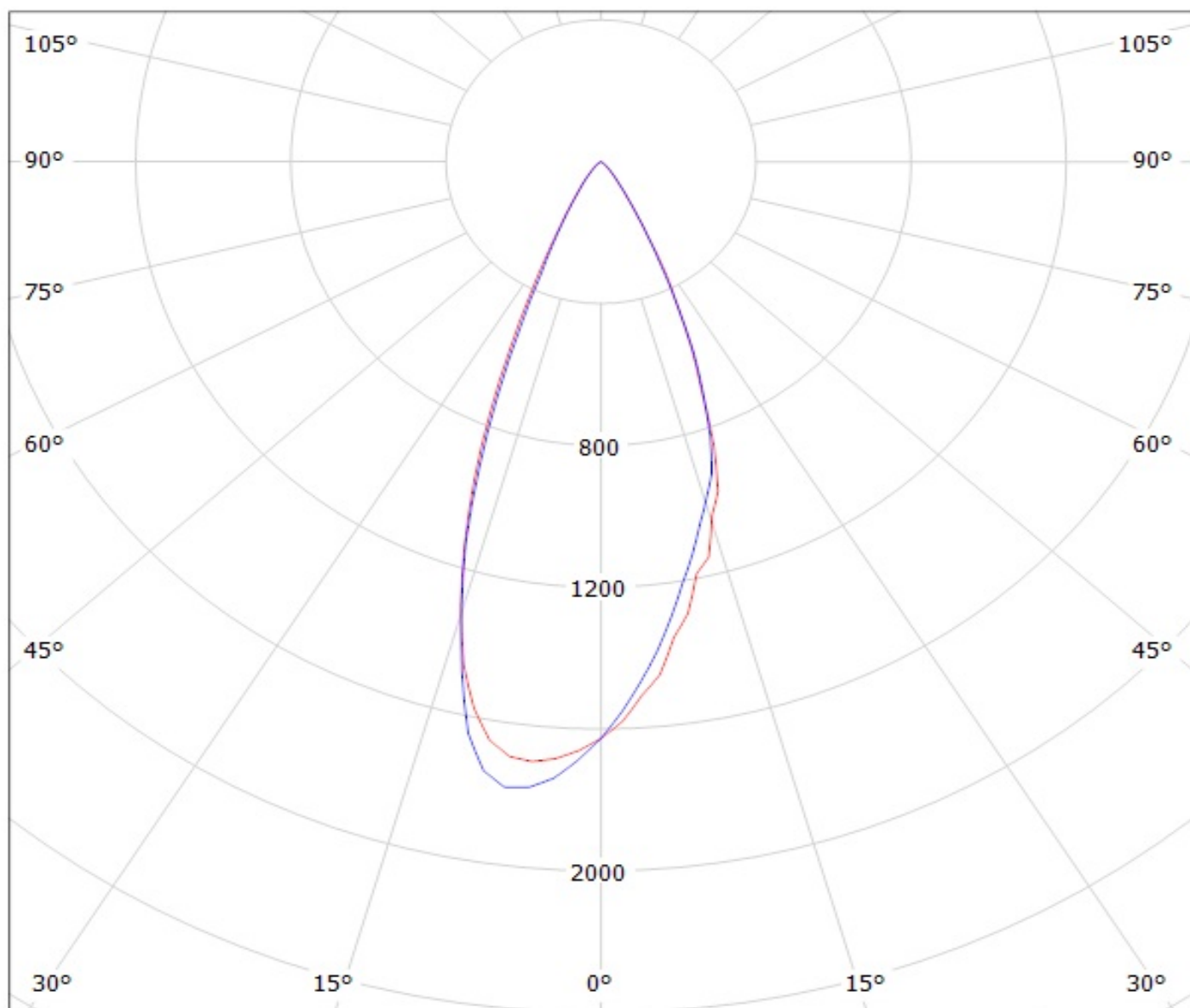


cd/klm

— C0 - C180

— C90 - C270

Luminaire: Ledil Oy CA12667_LXB2-W (Cree XB-D 84lm @ 250mA) LOR=81%
Lamps: 1 x Cree XB-D 84lm @ 250mA



cd/klm

— C0 - C180 — C90 - C270