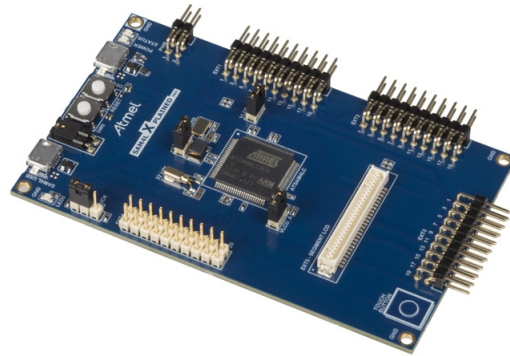


Atmel SAM4L Xplained Pro



Preface

The Atmel® SAM4L Xplained Pro evaluation kit is hardware platform to evaluate the ATSAM4LC4C microcontroller.

Supported by the Atmel Studio integrated development platform, the kit provides easy access to the features of the Atmel ATSAM4LC4C and explains how to integrate the device in a customer design.

The Xplained Pro MCU series evaluation kits include an on-board Embedded Debugger, and no external tools are necessary to program or debug the ATSAM4LC4C.

The Xplained Pro extension series evaluation kits offers additional peripherals to extend the features of the board and ease the development of customer designs.

Table of Contents

Preface	1
1. Introduction	3
1.1. Features	3
1.2. Kit overview	3
2. Getting Started	6
2.1. Quick-start	6
2.2. Connecting the kit	6
2.3. Design documentation and related links	6
3. Xplained Pro	7
3.1. Embedded Debugger	7
3.2. Hardware Identification System	7
3.3. Power supply	8
3.3.1. Measuring SAM4L power consumption	8
3.4. Standard Headers and Connectors	8
3.4.1. Xplained Pro extension header	8
3.4.2. Xplained Pro segment LCD extension connector	9
3.4.3. Power header	10
4. Hardware user guide	11
4.1. Connectors	11
4.1.1. I/O extension headers	11
4.1.2. Segment LCD extension connector	13
4.2. Peripherals	14
4.2.1. QTouch button	14
4.2.2. Crystals	14
4.2.3. Mechanical buttons	15
4.2.4. LED	15
4.3. Embedded Debugger implementation	15
4.3.1. Serial Wire Debug	15
4.3.2. Virtual COM port	15
4.3.3. Atmel Data Gateway Interface	16
4.4. Jumper description	16
4.4.1. LDO/BUCK Jumper	16
4.4.2. LDO Jumper	16
4.4.3. VLCD_A and VLCD_BC Jumpers	16
4.4.4. VCC_MCU Jumper	16
5. Hardware revision history and known issues	17
5.1. Identifying product ID and revision	17
5.2. Revision 2	17
6. Document revision history	18
7. Evaluation board/kit important notice	19

1. Introduction

1.1 Features

- Atmel ATSAM4LC4C microcontroller
- Embedded debugger (EDBG)
 - USB interface
 - Programming and debugging (target) through Serial Wire Debug (SWD)
 - Virtual COM-port interface to target via UART
 - Atmel Data Gateway interface (DGI) to target via synchronous UART or TWI.
 - Four GPIOs connected to target for code instrumentation
- Digital I/O
 - Two mechanical buttons (including one reset button)
 - One user LED
 - Four extension headers
- Segment LCD display header
- USB interface for host and device function (target)
- Touch
 - One Atmel QTouch® button
- Three possible power sources
 - External power
 - Embedded debugger USB
 - Target USB
- 12MHz crystal
- 32kHz crystal

1.2 Kit overview

The Atmel SAM4L Xplained Pro evaluation kit is a hardware platform to evaluate the Atmel ATSAM4LC4C.

The kit offers a set of features that enables the SAM4L user to get started using the SAM4L's peripherals right away and to get an understanding of how to integrate the SAM4L in their own design.

Figure 1-1. SAM4L Xplained Pro evaluation kit overview.

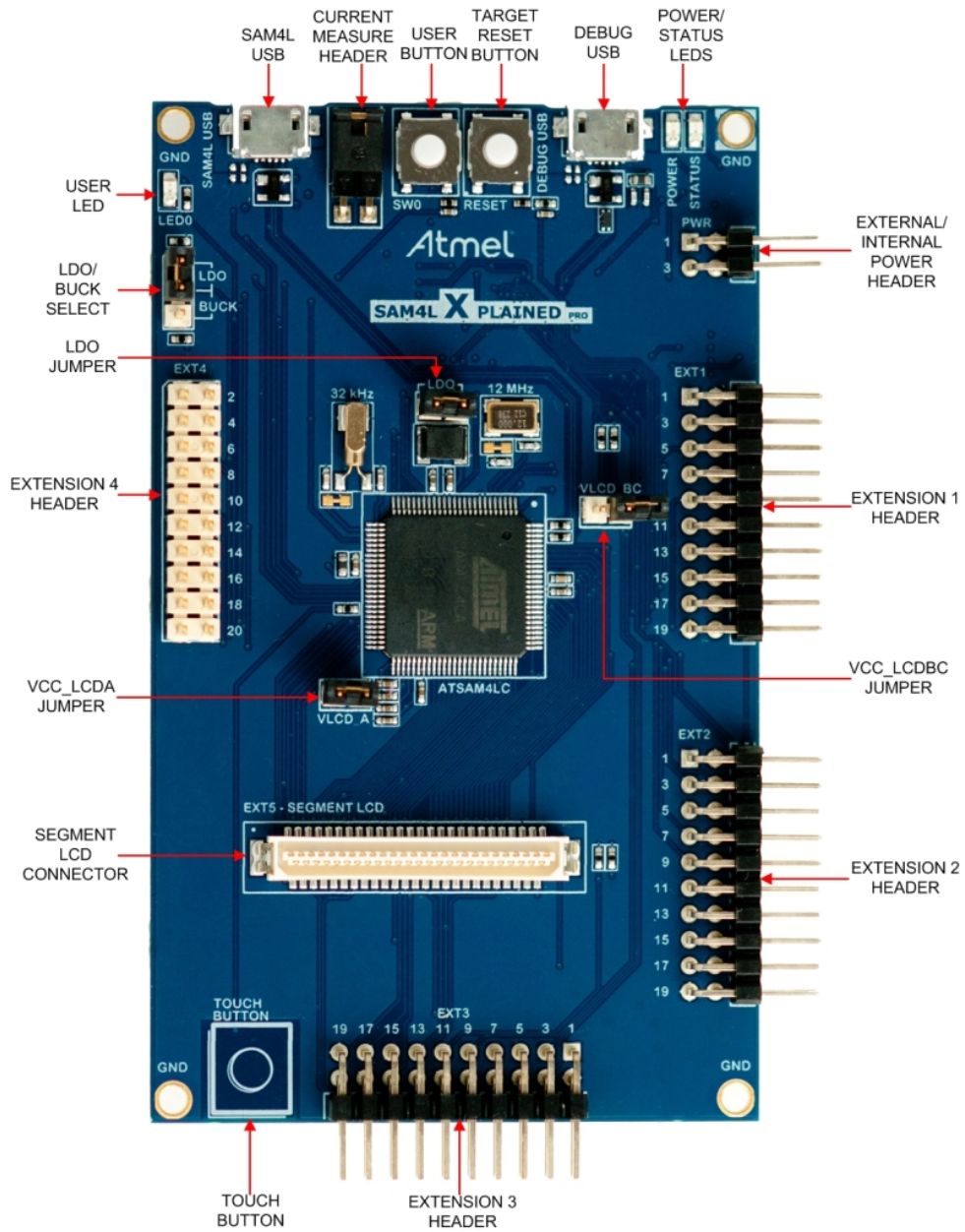
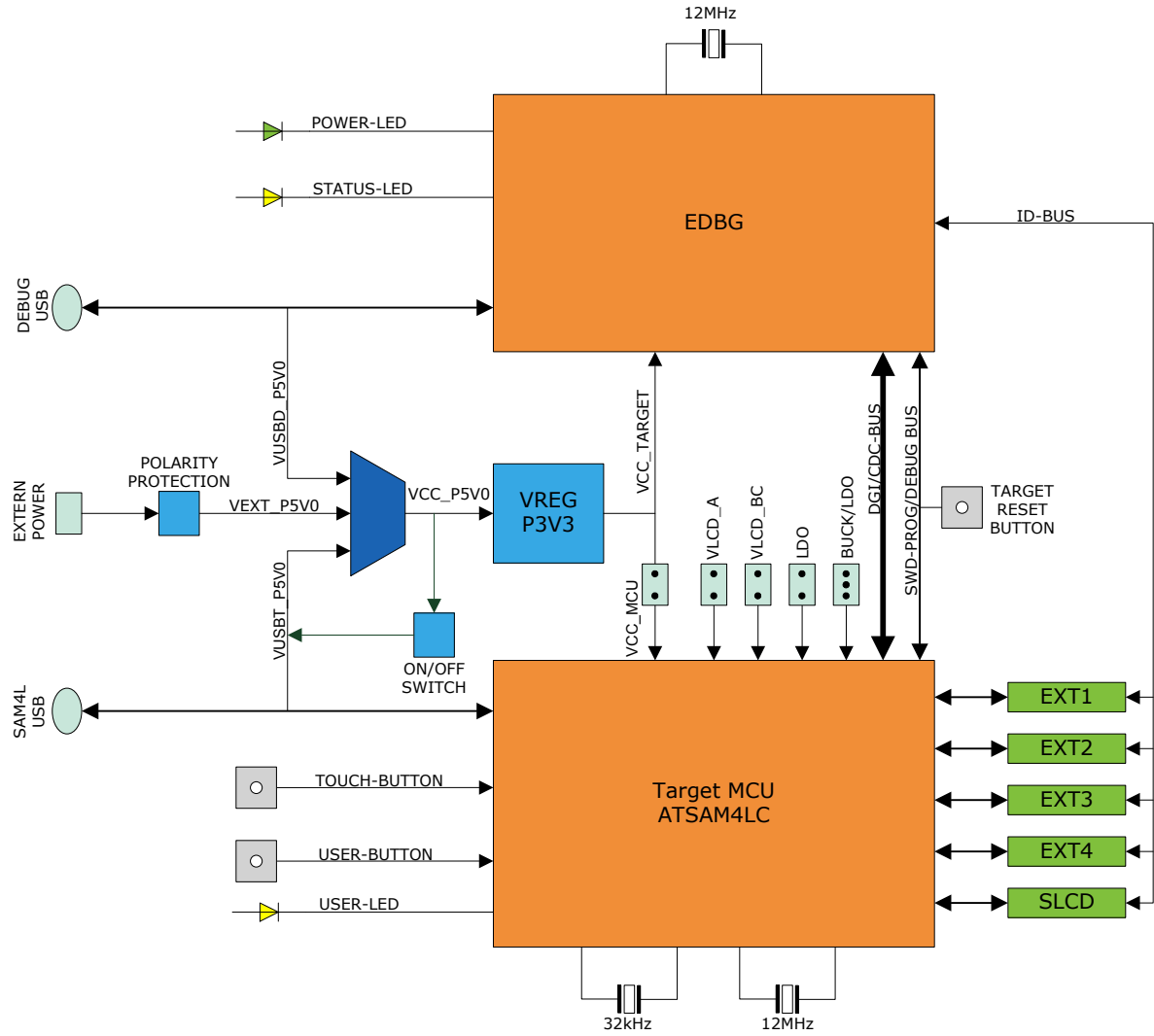


Figure 1-2. SAM4L Xplained Pro blockdiagram.



2. Getting Started

2.1 Quick-start

3 Steps to start exploring the Atmel Xplained Pro Platform

- Download and install [Atmel Studio](#)¹.
- Launch Atmel Studio.
- Connect an USB cable to the DEBUG USB port.

2.2 Connecting the kit

When connecting Atmel SAM4L Xplained Pro to your computer for the first time, the operating system will do a driver software installation. The driver file supports both 32-bit and 64-bit versions of Microsoft® Windows® XP and Windows 7.

Once connected the green power LED will be lit and Atmel Studio will autodetect which Xplained Pro evaluation- and extension kit(s) that's connected. You'll be presented with relevant information like datasheets and kit documentation. You also have the option to launch Atmel Software Framework (ASF) example applications. The target device is programmed and debugged by the on-board Embedded Debugger and no external programmer or debugger tool is needed. Please refer to the [Atmel Studio user guide](#)² for information regarding how to compile and program the kit.

2.3 Design documentation and related links

The following list contains links to the most relevant documents and software for the SAM4L Xplained Pro.

1. [Xplained Pro products](#)³ - Atmel Xplained Pro is a series of small-sized and easy-to-use evaluation kits for 8- and 32-bit Atmel microcontrollers. It consists of a series of low cost MCU boards for evaluation and demonstration of features and capabilities of different MCU families.
2. [SAM4L Xplained Pro User Guide](#)⁴ - PDF version of this User Guide.
3. [SAM4L Xplained Pro Design Documentation](#)⁵ - Package containing schematics, BOM, assembly drawings, 3D plots, layer plots etc.
4. [Atmel Studio](#)⁶ - Free Atmel IDE for development of C/C++ and assembler code for Atmel microcontrollers.
5. [IAR Embedded Workbench](#)⁷ **for ARM**®. This is a commercial C/C++ compiler that is available for ARM. There is a 30 day evaluation version as well as a code size limited kick-start version available from their website. The code size limit is 16K for devices with M0, M0+ and M1 cores and 32K for devices with other cores.
6. [Atmel sample store](#)⁸ - Atmel sample store where you can order samples of devices.

¹ <http://www.atmel.com/atmelstudio>

² <http://www.atmel.com/atmelstudio>

³ <http://www.atmel.com/XplainedPro>

⁴ http://www.atmel.com/Images/Atmel-42074-SAM4L-Xplained-Pro_User-Guide.pdf

⁵ http://www.atmel.com/Images/Atmel-42074-SAM4L-Xplained-Pro_User-Guide.zip

⁶ <http://www.atmel.com/atmelstudio>

⁷ <http://www.iar.com/en/Products/IAR-Embedded-Workbench/ARM/>

⁸ <http://www.atmel.com/system/samplesstore>

3. Xplained Pro

Xplained Pro is an evaluation platform that provides the full Atmel microcontroller experience. The platform consists of a series of Microcontroller (MCU) boards and extension boards that are integrated with Atmel Studio, have Atmel Software Framework (ASF) drivers and demo code, support data streaming and more. Xplained Pro MCU boards support a wide range of Xplained Pro extension boards that are connected through a set of standardized headers and connectors. Each extension board has an identification (ID) chip to uniquely identify which boards are mounted on a Xplained Pro MCU board. This information is used to present relevant user guides, application notes, datasheets and example code through Atmel Studio. Available Xplained Pro MCU and extension boards can be purchased in the [Atmel Web Store](#)¹.

3.1 Embedded Debugger

The SAM4L Xplained Pro contains the Atmel® Embedded Debugger (EDBG) for on-board debugging. The EDBG is a composite USB device of 3 interfaces; a debugger, Virtual COM Port and Data Gateway Interface (DGI).

In conjunction with Atmel Studio, the EDBG debugger interface can program and debug the ATSAM4LC4C. On the SAM4L Xplained Pro, the SWD interface is connected between the EDBG and the ATSAM4LC4C.

The Virtual COM Port is connected to a UART port on the ATSAM4LC4C (see section “[Embedded Debugger implementation](#)” on page 15 for pinout), and provides an easy way to communicate with the target application through a simple terminal software. It offers variable baud rate, parity and stop bit settings. Note that the settings on the target device UART must match the settings given in the terminal software.

The DGI consists of several physical data interfaces for communication with the host computer. Please, see section “[Embedded Debugger implementation](#)” on page 15 for available interfaces and pinout. Communication over the interfaces are bidirectional. It can be used to send events and values from the ATSAM4LC4C, or as a generic printf-style data channel. Traffic over the interfaces can be timestamped on the EDBG for more accurate tracing of events. Note that timestamping imposes an overhead that reduces maximal throughput. The DGI uses a proprietary protocol, and is thus only compatible with Atmel Studio.

The EDBG controls two LEDs on SAM4L Xplained Pro, a power LED and a status LED. [Table 3-1, “EDBG LED control”](#) shows how the LEDs are controlled in different operation modes.

Table 3-1. EDBG LED control

Operation mode	Power LED	Status LED
Normal operation	Power LED is lit when power is applied to the board.	Activity indicator, LED flashes every time something happens on the EDBG.
Bootloader mode (idle)	The power LED and the status LED blinks simultaneously.	
Bootloader mode (firmware upgrade)	The power LED and the status LED blinks in an alternating pattern.	

For further documentation on the EDBG, see the EDBG User Guide.

3.2 Hardware Identification System

All Xplained Pro compatible extension boards have an Atmel ATSHA204 crypto authentication chip mounted. This chip contains information that identifies the extension with its name and some extra data. When an Xplained Pro extension board is connected to an Xplained Pro MCU board the information is read and sent to Atmel Studio. The Atmel Kits extension, installed with Atmel Studio, will give relevant information, code examples and links to relevant documents. [Table 3-2, “Xplained Pro ID chip content”](#) shows the data fields stored in the ID chip with example content.

Table 3-2. Xplained Pro ID chip content

Data Field	Data Type	Example Content
Manufacturer	ASCII string	Atmel\0'
Product Name	ASCII string	Segment LCD1 Xplained Pro\0'
Product Revision	ASCII string	02\0'
Product Serial Number	ASCII string	1774020200000010\0'

¹ <http://store.atmel.com/CBC.aspx?q=c:100113>

Data Field	Data Type	Example Content
Minimum Voltage [mV]	uint16_t	3000
Maximum Voltage [mV]	uint16_t	3600
Maximum Current [mA]	uint16_t	30

3.3 Power supply

The SAM4L Xplained Pro kit can be powered either by USB or by an external power source through the 4-pin power header, marked PWR. This connector is described in “Power header” on page 10. The available power sources and specifications are listed in Table 3-3, “Power sources for SAM4L Xplained Pro”.

Table 3-3. Power sources for SAM4L Xplained Pro

Power input	Voltage requirements	Current requirements	Connector marking
External power	5V +/- 2 % (+/- 100mV) for USB host operation. 4.3 V to 5.5 V if USB host operation is not required	Recommended minimum is 1A to be able to provide enough current for connected USB devices and the board itself. Recommended maximum is 2A due to the input protection maximum current specification.	PWR
Embedded debugger USB	4.4V to 5.25V (according to USB spec)	500 mA (according to USB spec)	DEBUG USB
Target USB	4.4V to 5.25V (according to USB spec)	500 mA (according to USB spec)	TARGET USB

The kit will automatically detect which power sources are available and choose which one to use according to the following priority:

1. External power
2. Embedded debugger USB
3. Target USB

Note

External power is required when the 500mA through the USB connector is not enough to power a connected USB device in a USB host application.

3.3.1 Measuring SAM4L power consumption

As part of an evaluation of the SAM4L it can be of interest to measure its power consumption. Because the device has a separate power plane (VCC_MCU_P3V3) on this board it is possible to measure the current consumption by measuring the current that is flowing into this plane. The VCC_MCU_P3V3 plane is connected via a jumper to the main power plane (VCC_TARGET_P3V3) and by replacing the jumper with an ampere meter it is possible to determine the current consumption. To locate the current measurement header, please refer to Figure 1-1, “SAM4L Xplained Pro evaluation kit overview.”.

Warning

Do not power the board without having the jumper or an ampere meter mounted. This can cause the SAM4L to be powered through its I/O pins and cause undefined operation of the device.

3.4 Standard Headers and Connectors

3.4.1 Xplained Pro extension header

All Xplained Pro kits have one or more dual row, 20 pin, 100mil extension headers. Xplained Pro MCU boards have male headers while Xplained Pro extensions have their female counterparts. Note that all pins are

not always connected. However, all the connected pins follow the defined pin-out described in [Table 3-4, “Xplained Pro extension header”](#). The extension headers can be used to connect a wide variety of Xplained Pro extensions to Xplained Pro MCU boards and to access the pins of the target MCU on Xplained Pro MCU board directly.

Table 3-4. Xplained Pro extension header

Pin number	Name	Description
1	ID	Communication line to the ID chip on extension board.
2	GND	Ground
3	ADC(+)	Analog to digital converter , alternatively positive part of differential ADC
4	ADC(-)	Analog to digital converter , alternatively negative part of differential ADC
5	GPIO1	General purpose IO
6	GPIO2	General purpose IO
7	PWM(+)	Pulse width modulation , alternatively positive part of differential PWM
8	PWM(-)	Pulse width modulation , alternatively positive part of differential PWM
9	IRQ/GPIO	Interrupt request line and/or general purpose IO.
10	SPI_SS_B/GPIO	Slave select for SPI and/or general purpose IO.
11	TWI_SDA	Data line for two wire interface. Always implemented, bus type.
12	TWI_SCL	Clock line for two wire interface. Always implemented, bus type.
13	USART_RX	Receiver line of Universal Synchronous and Asynchronous serial Receiver and Transmitter
14	USART_TX	Transmitter line of Universal Synchronous and Asynchronous serial Receiver and Transmitter
15	SPI_SS_A	Slave select for SPI. Should be unique if possible.
16	SPI_MOSI	Master out slave in line of Serial peripheral interface. Always implemented, bus type
17	SPI_MISO	Master in slave out line of Serial peripheral interface. Always implemented, bus type
18	SPI_SCK	Clock for Serial peripheral interface. Always implemented, bus type
19	GND	Ground
20	VCC	Power for extension board

3.4.2 Xplained Pro segment LCD extension connector

Xplained Pro MCU boards that have a microcontroller that supports segment LCDs contain a 51-pin segment LCD extension connector. This connector is implemented with HIROSEs DF-9 series. Xplained Pro MCU boards use the male version DF9-51P-1V(69) and Xplained Pro extension boards use the female counterpart DF9-51S-1V(69). This header has a standardized pin-out as shown in [Table 3-5, “Xplained Pro segment LCD extension connector definition”](#).

Note

All pins are not connected on all Xplained Pro MCU boards. How many pins that are used depend on how many segments and common terminals the target MCU supports.

Table 3-5. Xplained Pro segment LCD extension connector definition

Description	Function	Pin	Pin	Function	Description
Common terminal 3	COM3	1	2	COM2	Common terminal 2
Common terminal 1	COM1	3	4	COM0	Common terminal 0

Description	Function	Pin	Pin	Function	Description
Segment 0	SEG0	5	6	SEG1	Segment 1
Segment 2	SEG2	7	8	SEG3	Segment 3
Segment 4	SEG4	9	10	SEG5	Segment 5
Segment 6	SEG6	11	12	SEG7	Segment 7
Segment 8	SEG8	13	14	SEG9	Segment 9
Segment 10	SEG10	15	16	SEG11	Segment 11
Segment 12	SEG12	17	18	SEG13	Segment 13
Segment 14	SEG14	19	20	SEG15	Segment 15
Segment 16	SEG16	21	22	SEG17	Segment 17
Segment 18	SEG18	23	24	SEG19	Segment 19
Segment 20	SEG20	25	26	SEG21	Segment 21
Segment 22	SEG22	27	28	SEG23	Segment 23
Segment 24	SEG24	29	30	SEG25	Segment 25
Segment 26	SEG26	31	32	SEG27	Segment 27
Segment 28	SEG28	33	34	SEG29	Segment 29
Segment 30	SEG30	35	36	SEG31	Segment 31
Segment 32	SEG32	37	38	SEG33	Segment 33
Segment 34	SEG34	39	40	SEG35	Segment 35
Segment 36	SEG36	41	42	SEG37	Segment 37
Segment 38	SEG38	43	44	SEG39	Segment 39
Not Connected	NC	45	46	NC	Not Connected
Backlight Anode	Backlight V+	47	48	Backlight V-	Backlight Cathode
Backlight Control	Backlight CTRL	49	50	ID	Xplained Pro ID line
Ground	GND	51			

3.4.3 Power header

The power header can be used to connect external power to the SAM4L Xplained Pro kit. The kit will automatically detect and switch to the external power if supplied. The power header can also be used as supply for external peripherals or extension boards. Care must be taken not to exceed the total current limitation of the on-board regulator for the 3.3V regulated output. To locate the current measurement header, please refer to [Figure 1-1, "SAM4L Xplained Pro evaluation kit overview."](#)

Table 3-6. Power header PWR

Pin number PWR header	Pin name	Description
1	VEXT_P5V0	External 5V input
2	GND	Ground
3	VCC_P5V0	Unregulated 5V (output, derived from one of the input sources)
4	VCC_P3V3	Regulated 3.3V (output, used as main power for the kit)

Note

If the board is powered from a battery source it is recommended to use the PWR header. If there is a power source connected to EDBG USB, the EDBG is activated and it will consume more power.

4. Hardware user guide

4.1 Connectors

This chapter describes the implementation of the relevant connectors and headers on SAM4L Xplained Pro and their connection to the ATSAM4LC4C. The tables of connections in this chapter also describes which signals are shared between the headers and on-board functionality.

4.1.1 I/O extension headers

The SAM4L Xplained Pro headers EXT1, EXT2, EXT3 and EXT4 offers access to the I/O of the microcontroller in order to expand the board e.g. by connecting extensions to the board. These headers all comply with the standard extension header specified in [Xplained Pro Standard Extension Header](#). All headers have a pitch of 2.54 mm.

Table 4-1. Extension header EXT1.

Pin on EXT1	SAM4L pin	Function	Shared functionality
1	-	-	Communication line to ID chip on extension board.
2	-	-	GND
3	PA04	ADCIFE/AD[0]	
4	PA05	ADCIFE/AD[1]	
5	PB12	GPIO	LCD connector (EXT5)
6	PC02	GPIO	
7	PC00	TC/1/A0	
8	PC01	TC/1/B0	
9	PC25	EIC/EXTINT[2]	LCD connector (EXT5)
10	PB13	SPI/NPCS[1]	LCD connector (EXT5)
11	PA23	TWIMS/0/TWD	LCD connector (EXT5)
12	PA24	TWIMS/0/TWCK	LCD connector (EXT5)
13	PB00	USART/0/RXD	EXT4
14	PB01	USART/0/TXD	EXT4
15	PC03	SPI/NPCS[0]	
16	PA22	SPI/MOSI	EXT2 and LCD connector (EXT5)
17	PA21	SPI/MISO	EXT2 and LCD connector (EXT5)
18	PC30	SPI/SCK	EXT2 and LCD connector (EXT5)
19	-	-	GND
20	-	-	VCC

Table 4-2. Extension header EXT2.

Pin on EXT2	SAM4L pin	Function	Shared functionality
1	-	-	Communication line to ID chip on extension board.
2	-	-	GND
3	PA07	ADCIFE/AD[2]	
4	PB02	ADCIFE/AD[3]	
5	PC08	GPIO	
6	PB10	GPIO	LCD connector (EXT5)
7	PC04	TC/1/A2	
8	PC05	TC/1/B2	LCD connector (EXT5)

Pin on EXT2	SAM4L pin	Function	Shared functionality
9	PC06	EIC/EXTINT[8]	
10	PC09	GPIO	
11	PB14	TWIMS/3/TWD	EXT3, EXT4 and LCD connector (EXT5)
12	PB15	TWIMS/3/TWCK	EXT3, EXT4 and LCD connector (EXT5)
13	PC26	USART/1/RXD	EXT3 and LCD connector (EXT5)
14	PC27	USART/1/TXD	EXT3 and LCD connector (EXT5)
15	PB11	SPI/NPCS[2]	LCD connector (EXT5)
16	PA22	SPI/MOSI	EXT1 and LCD connector (EXT5)
17	PA21	SPI/MISO	EXT1 and LCD connector (EXT5)
18	PC30	SPI/SCK	EXT1 and LCD connector (EXT5)
19	-	-	GND
20	-	-	VCC

Table 4-3. Extension header EXT3.

Pin on EXT3	SAM4L pin	Function	Shared functionality
1	-	-	Communication line to ID chip on extension board.
2	-	-	GND
3	PB03	ADCIFE/AD[4]	
4	PB04	ADCIFE/AD[5]	
5	PC15	GPIO	LCD connector (EXT5)
6	PC16	GPIO	LCD connector (EXT5)
7	PA08	TC/0/A0	LCD connector (EXT5)
8	PA09	TC/0/B0	LCD connector (EXT5)
9	PA06	EIC/EXTINT[1]	
10	PA10	GPIO	LCD connector (EXT5)
11	PB14	TWIMS/3/TWD	EXT2, EXT4 and LCD connector (EXT5)
12	PB15	TWIMS/3/TWCK	EXT2, EXT4 and LCD connector (EXT5)
13	PC26	USART/1/RXD	EXT2 and LCD connector (EXT5)
14	PC27	USART/1/TXD	EXT2 and LCD connector (EXT5)
15	PA17	GPIO	LCD connector (EXT5)
16	PA20	UART/2/TXD	EXT4 and LCD connector (EXT5)
17	PA19	UART/2/RXD	EXT4 and LCD connector (EXT5)
18	PA18	UART/2/CLK	EXT4 and LCD connector (EXT5)
19	-	-	GND
20	-	-	VCC

Table 4-4. Extension header EXT4.

Pin on EXT4	SAM4L pin	Function	Shared functionality
1	-	-	Communication line to ID chip on extension board.
2	-	-	GND
3	PB05	ADCIFE/AD[6]	
4	PC10	ADCIFE/AD[7]	USB_ID
5	PC17	GPIO	LCD connector (EXT5)
6	PC18	GPIO	LCD connector (EXT5)

Pin on EXT4	SAM4L pin	Function	Shared functionality
7	PA12	TC/0/A2	LCD connector (EXT5)
8	PA13	TC/0/B2	LCD connector (EXT5)
9	PA16	GPIO	LCD connector (EXT5)
10	PA15	GPIO	LCD connector (EXT5)
11	PB14	TWIMS/3/TWD	EXT2, EXT3 and LCD connector (EXT5)
12	PB15	TWIMS/3/TWCK	EXT2, EXT3 and LCD connector (EXT5)
13	PB00	USART/0/RXD	EXT1
14	PB01	USART/0/TXD	EXT1
15	PA11	GPIO	LCD connector (EXT5)
16	PA20	UART/2/TXD	EXT3 and LCD connector (EXT5)
17	PA19	UART/2/RXD	EXT3 and LCD connector (EXT5)
18	PA18	UART/2/CLK	EXT3 and LCD connector (EXT5)
19	-	-	GND
20	-	-	VCC

4.1.2 Segment LCD extension connector

Extension connector EXT5 is a special connector for segment LCD displays. SAM4L Xplained Pro implements one [segment LCD extension connector](#) for Xplained Pro extensions.

Table 4-5. Segment LCD display connector EXT5 .

Pin on EXT5	SAM4L pin	Function	Shared functionality
1	PA09	COM3	EXT3
2	PA10	COM2	EXT3
3	PA11	COM1	EXT4
4	PA12	COM0	EXT4
5	PC15	SEG0	EXT3
6	PC16	SEG1	EXT3
7	PC17	SEG2	EXT4
8	PC18	SEG3	EXT4
9	PC19	SEG4	
10	PA13	SEG5	EXT4
11	PA14	SEG6	
12	PA15	SEG7	EXT4
13	PA16	SEG8	EXT4
14	PA17	SEG9	EXT3
15	PC20	SEG10	
16	PC21	SEG11	
17	PC22	SEG12	
18	PC23	SEG13	
19	PB08	SEG14	
20	PB09	SEG15	
21	PB10	SEG16	EXT2
22	PB11	SEG17	EXT2
23	PA18	SEG18	EXT3 and EXT4
24	PA19	SEG19	EXT3 and EXT4

Pin on EXT5	SAM4L pin	Function	Shared functionality
25	PA20	SEG20	EXT3 and EXT4
26	PB07	SEG21	
27	PB06	SEG22	
28	PA08	SEG23	EXT3
29	PC24	SEG24	
30	PC25	SEG25	EXT1
31	PC26	SEG26	EXT2 and EXT3
32	PC27	SEG27	EXT2 and EXT3
33	PC28	SEG28	
34	PC29	SEG29	
35	PC30	SEG30	EXT1 and EXT2
36	PC31	SEG31	
37	PB12	SEG32	EXT1
38	PB13	SEG33	EXT1
39	PA21	SEG34	EXT1 and EXT2
40	PA22	SEG35	EXT1 and EXT2
41	PB14	SEG36	EXT2, EXT3 and EXT4
42	PB15	SEG37	EXT2, EXT3 and EXT4
43	PA23	SEG38	EXT1
44	PA24	SEG39	EXT1
45	-	Not Connected	
46	-	Not Connected	
47	-	VCC_P3V3	
48	-	GND	
49	PC05	Backlight	EXT2
50	-	ID	
51	-	GND	

4.2 Peripherals

4.2.1 QTouch button

The SAM4L Xplained Pro kit has one QTouch button and the connection to the SAM4L is shown in the table below. The QTouch sensor, a copper fill, is located on the second layer (GND) of the board. The sensor is shielded by the third and the bottom layer (VCC and signal layer respectively) and therefore the sensor is not affected by any touches from the back side of the board.

Table 4-6. QTouch button connections.

Pin on SAM4L	Function
PC13	CATB_SENSE15
PC14	CATB_DIS

4.2.2 Crystals

The SAM4L Xplained Pro kit contains two crystals that can be used as clock sources for the SAM4L device. Each crystal has a cut-strap next to it that can be used to measure the oscillator safety factor. This is done by cutting the strap and adding a resistor across the strap. More information about oscillator allowance and safety factor can be found in appnote [AVR4100](#)¹.

¹ <http://www.atmel.com/images/doc8333.pdf>

Table 4-7. External 32.768kHz crystals.

Pin on SAM4L	Function
XIN32	XIN32
XOUT32	XOUT32

Table 4-8. External 12MHz crystals.

Pin on SAM4L	Function
PA00	XIN0
PA01	XOUT0

4.2.3 Mechanical buttons

The SAM4L Xplained Pro contains two mechanical buttons. One button is the RESET button connected to the SAM4L reset line and the other is a generic user configurable button. When a button is pressed it will drive the I/O line to GND.

Table 4-9. Mechanical buttons.

Pin on SAM4L	Silkscreen text
RESET_N	RESET
PC24	SW0

4.2.4 LED

There is one yellow LED available on the SAM4L Xplained Pro board that can be turned on and off. The LED can be activated by driving the connected I/O line to GND.

Table 4-10. LED connections.

Pin on SAM4L	LED
PC07	Yellow LED0

4.3 Embedded Debugger implementation

The SAM4L Xplained Pro contains an Embedded Debugger (EDBG) that can be used to program and debug the ATSAM4LC4C using Serial Wire Debug (SWD). The Embedded debugger also include a Virtual Com port interface over UART, an Atmel Data Gateway Interface over synchronous UART and TWI and it monitors four of the SAM4L GPIOs. Atmel Studio can be used as a front end for the Embedded Debugger.

4.3.1 Serial Wire Debug

The Serial Wire Debug (SWD) use two pins to communicate with the target. For further information on how to use the programming and debugging capabilities of the EDBG, see [“Embedded Debugger” on page 7](#).

Table 4-11. SWD connections.

Pin on SAM4L	Function
TCK	SWD clock
PA03	SWD data
PA23	SWD trace data

4.3.2 Virtual COM port

The Embedded Debugger act as a Virtual Com Port gateway by using one of the ATSAM4LC4C UARTs. For further information on how to use the Virtual COM port see [“Embedded Debugger” on page 7](#).

Table 4-12. Virtual COM port connections.

Pin on SAM4L	Function
PC27	UART TXD (SAM4L TX line)
PC26	UART RXD (SAM4L RX line)

4.3.3 Atmel Data Gateway Interface

The Embedded Debugger features an Atmel Data Gateway Interface (DGI) by using either a synchronous USART or TWI port. The DGI can be used to send a variety of data from the SAM4L to the host PC. For further information on how to use the DGI interface see [“Embedded Debugger” on page 7](#).

Table 4-13. DGI interface connections when using USART.

Pin on SAM4L	Function
PC29	USART TXD (SAM4L TX line)
PC28	USART RXD (SAM4L RX line)
PC31	USART CLK

Table 4-14. DGI interface connections when using TWI.

Pin on SAM4L	Function
PA23	SDA (Data line)
PA24	SCL (Clock line)

Four GPIO lines are connected to the Embedded Debugger. The EDBG can monitor these lines and time stamp pin value changes. This makes it possible to accurately time stamp events in the SAM4L application code. For further information on how to configure and use the GPIO monitoring features see [“Embedded Debugger” on page 7](#).

Table 4-15. GPIO lines connected to the EDBG.

Pin on SAM4L	Function
PB05	GPIO
PB06	GPIO
PB07	GPIO
PB10	GPIO

4.4 Jumper description

The SAM4L Xplained Pro contains five jumpers that can be used to adjust the functionality of the board. You can locate the jumpers in figure [Figure 1-1, “SAM4L Xplained Pro evaluation kit overview.”](#) Here is a description of the jumpers.

4.4.1 LDO/BUCK Jumper

This jumper selects the power mode of the internal voltage regulator in the target MCU. It can be either LDO mode, which is a linear regulator or BUCK mode, which is a switch mode regulator. If LDO mode is selected, the LDO jumper should be mounted as well.

4.4.2 LDO Jumper

This jumper should be mounted when the power mode jumper is set to LDO mode. It will bypass the BUCK mode inductor and increase efficiency for this mode. If the power mode jumper is set to BUCK mode, this jumper needs to be removed to make it work.

4.4.3 VLCD_A and VLCD_BC Jumpers

When the Segment LCD is not used, these jumpers need to be mounted to power the pins used for segment LCD in GPIO mode.

4.4.4 VCC_MCU Jumper

This jumper connects VCC to the target MCU. This jumper can be replaced with an amper meter to measure the current used by the target device. Remember to mount this jumper or an amper meter to make the target MCU work properly.

5. Hardware revision history and known issues

5.1 Identifying product ID and revision

The revision and product identifier of Xplained Pro boards can be found in two ways, through Atmel Studio or by looking at the sticker on the bottom side of the PCB.

By connecting a Xplained Pro MCU board to a computer with Atmel Studio running, an information window will pop up. The first 6 digits of the serial number, which is listed under kit details, contain the product identifier and revision. Information about connected Xplained Pro extension boards will also appear in the Atmel Kits window.

The same information can be found on the sticker on the bottom side of the PCB. Most kits will print the identifier and revision in plain text as *A09-nnnn\rr* where *nnnn* is the identifier and *rr* is the revision. Boards with limited space have a sticker with only a QR-code which contains a serial number string.

The serial number string has the following format:

```
"nnnnrrssssssss"  
n = product identifier  
r = revision  
s = serial number
```

The kit identifier for SAM4L Xplained Pro is 1783.

5.2 Revision 2

Revision 2 of SAM4L Xplained Pro is the initial released version, there are no known issues.

6. Document revision history

Doc. Rev.	Date	Comment
B	22/05/2013	Corrected SW0 pin to PC24 from PA24
A	26/02/2013	First release

7. Evaluation board/kit important notice

This evaluation board/kit is intended for use for **FURTHER ENGINEERING, DEVELOPMENT, DEMONSTRATION, OR EVALUATION PURPOSES ONLY**. It is not a finished product and may not (yet) comply with some or any technical or legal requirements that are applicable to finished products, including, without limitation, directives regarding electromagnetic compatibility, recycling (WEEE), FCC, CE or UL (except as may be otherwise noted on the board/kit). Atmel supplied this board/kit "AS IS," without any warranties, with all faults, at the buyer's and further users' sole risk. The user assumes all responsibility and liability for proper and safe handling of the goods. Further, the user indemnifies Atmel from all claims arising from the handling or use of the goods. Due to the open construction of the product, it is the user's responsibility to take any and all appropriate precautions with regard to electrostatic discharge and any other technical or legal concerns.

EXCEPT TO THE EXTENT OF THE INDEMNITY SET FORTH ABOVE, NEITHER USER NOR ATMEL SHALL BE LIABLE TO EACH OTHER FOR ANY INDIRECT, SPECIAL, INCIDENTAL, OR CONSEQUENTIAL DAMAGES.

No license is granted under any patent right or other intellectual property right of Atmel covering or relating to any machine, process, or combination in which such Atmel products or services might be or are used.

Mailing Address: Atmel Corporation
 1600 Technology Drive
 San Jose, CA 95110
 USA



Atmel Corporation 1600 Technology Drive, San Jose, CA 95110 USA **T:** (+1)(408) 441.0311 **F:** (+1)(408) 436.4200 | www.atmel.com

© 2013 Atmel Corporation. All rights reserved. / Rev.: 42074B-MCU-05/2013

Atmel®, Atmel logo and combinations thereof, Enabling Unlimited Possibilities®, AVR®, and others are registered trademarks or trademarks of Atmel Corporation or its subsidiaries. Windows® is a registered trademark of Microsoft Corporation in U.S. and or other countries. ARM® is a registered trademark of ARM Ltd. Other terms and product names may be trademarks of others.

Disclaimer: The information in this document is provided in connection with Atmel products. No license, express or implied, by estoppel or otherwise, to any intellectual property right is granted by this document or in connection with the sale of Atmel products. EXCEPT AS SET FORTH IN THE ATMEL TERMS AND CONDITIONS OF SALES LOCATED ON THE ATMEL WEBSITE, ATMEL ASSUMES NO LIABILITY WHATSOEVER AND DISCLAIMS ANY EXPRESS, IMPLIED OR STATUTORY WARRANTY RELATING TO ITS PRODUCTS INCLUDING, BUT NOT LIMITED TO, THE IMPLIED WARRANTY OF MERCHANTABILITY, FITNESS FOR A PARTICULAR PURPOSE, OR NON-INFRINGEMENT. IN NO EVENT SHALL ATMEL BE LIABLE FOR ANY DIRECT, INDIRECT, CONSEQUENTIAL, PUNITIVE, SPECIAL OR INCIDENTAL DAMAGES (INCLUDING, WITHOUT LIMITATION, DAMAGES FOR LOSS AND PROFITS, BUSINESS INTERRUPTION, OR LOSS OF INFORMATION) ARISING OUT OF THE USE OR INABILITY TO USE THIS DOCUMENT, EVEN IF ATMEL HAS BEEN ADVISED OF THE POSSIBILITY OF SUCH DAMAGES. Atmel makes no representations or warranties with respect to the accuracy or completeness of the contents of this document and reserves the right to make changes to specifications and products descriptions at any time without notice. Atmel does not make any commitment to update the information contained herein. Unless specifically provided otherwise, Atmel products are not suitable for, and shall not be used in, automotive applications. Atmel products are not intended, authorized, or warranted for use as components in applications intended to support or sustain life.