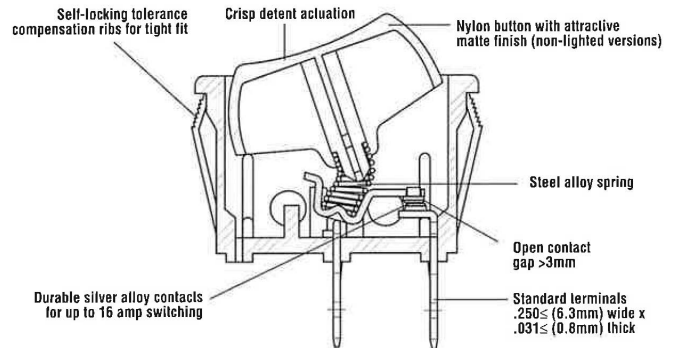


Single-Pole Rocker Switch TR Series



Features

- 16A switching in 1mm wide package
- Lighted and non-lighted
- Maintained action and momentary
- Mechanical life: min. 10,000 operations

Electrical Ratings				
Switch Series	EN61058 Rating	UL1054 Rating	Electrical Life at Rated Load	
			According to VDE (Min. Operations)	According to UL (Min. Operations)
TR	16(4)A, 250V~, T85/55	16A, 125/250VAC; 1/4HP, 3/4HP 250VAC	10,000	6,000

Electrical Specifications		Material Specifications	
Ratings:	16A, 125/250VAC; 1/4HP; 3/4HP 250VAC (cULus) 16(4)A, 250V~ T85/55 (VDE)	Actuator (non-lighted):	Nylon 66 94V-2
Dielectric Strength:	1000VAC for 1 minute	(lighted):	Polycarbonate
Insulation Resistance:	100M ohms min at 500VDC	Base:	Nylon 66 94V-2
Initial Contact Resistance:	0.020 ohms max	Spring:	Steel Wire
Temperature Range:	-20°C to + 85°C VDE	Contacts:	Silver Alloy
		Movable Arm:	Silver-Plated Copper Alloy
		Terminals:	Tin-Plated Copper Alloy



RoHS Compliant
UL File No: E23301

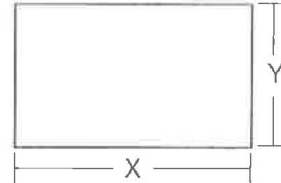
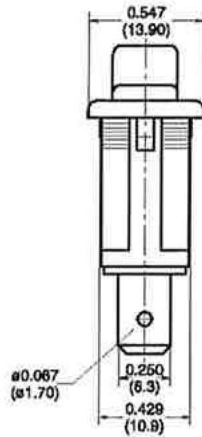
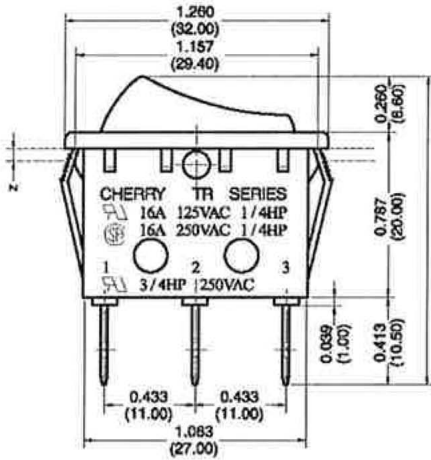
Specifications subject to change without notice.



Single-Pole Rocker Switch

TR Series

Dimensions inches (mm)



Z = Panel Thickness

Recommended Panel Cut-Out Dimensions

inches (mm)

Dim. Z	Dim. X	Dim. Y
0.030 to 0.049 (0.75 to 1.25)	1.19 (30.23)	0.433 (11.00)
0.049 to 0.079 (1.25 to 2.00)	1.20 (30.48)	0.433 (11.00)
0.079 to 0.118 (2.00 to 3.00)	1.21 (30.73)	0.433 (11.00)

Ordering Information

TR Series	G Code	2 Circuitry	2 Code	2 Switch Function	F Code	2 Actuator Type	F Code	B Code	B Housing Color	N Code	N Lighted	N Code	S Code	S Splashproof
		2 Single Pole		2 On - Off 3 On - On 5 (On) - Off 6 (On) - On		2 Curve 5 Flat Actuator		B Black W White Y Grey E Charcoal Grey		N Non-Lighted L Lighted (Bulb 125VAC) E Lighted (Bulb 250VAC) F Lighted 5VDC Incandescent G Lighted 6VDC Incandescent H Lighted 12VDC Incandescent			N No Rocker Boot S Rocker Boot	
	Code	Contact Rating				Code	Actuator Marking		Code	Actuator Color				
	G	16A 125/250 VAC 1/4HP 3/4HP 250VAC cULus 16(4)A 250V ~ T85/55 VDE					B Blank C □ D □ E O F O		A Amber B Black G Green R Red W White Y Grey E Charcoal Grey					
			Code	Terminal type inches (mm)										
			F	0.250" (6.3) QC										

Examples of Common Part Numbers and Descriptions inches (mm)

Part Number	Circuitry	Switch Function	Terminal Type	Actuator/ Housing Color	Legend Marking
TRG22F2BBNBN		On - Off	0.250 (6.3) Quick-Connect	Black/Black	
TRG23F2BBNBN		On - On	0.250 (6.3) Quick-Connect	Black/Black	
TRG22F2BBRLN		On - Off/Lighted	0.250 (6.3) Quick-Connect	Red/Black	

Boot #0015-0662

Contact

Call, fax or visit our Website for more information.

ZF Electronics Corporation
11200 88th Avenue
Pleasant Prairie, WI 53158

Phone: 262.942.6500
Web: www.cherrycorp.com
Email: cep_sales@zf.com
Fax: 262.942.6566

The manufacturer accepts no liability for errors or non-availability, and reserves the right to change specifications without prior notice.

Technical data relates to product specifications only. Features may differ from those described. Only drawings combined with product specifications shall be deemed binding.

© 2007 ZF Electronics Corporation

Last Updated: 10/01/12

