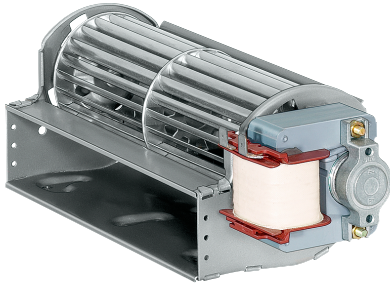


QLZ06/3000-3038

AC tangential blower

forward curved



ebm-papst Landshut GmbH

Hofmark-Aich-Straße 25

D-84030 Landshut

Phone +49 (0) 871 707-0

Fax +49 (0) 871 707-465

info3@de.ebmpapst.com

www.ebmpapst.com

Nominal data

Type	QLZ06/3000-3038	
Phase		1~
Nominal voltage	VAC	230
Frequency	Hz	50
Speed	min ⁻¹	1600
Power input	W	45
Current draw	A	0.35
Min. ambient temperature	°C	0
Max. ambient temperature	°C	60
Air flow	m ³ /h	230
Pressure increase	Pa	60

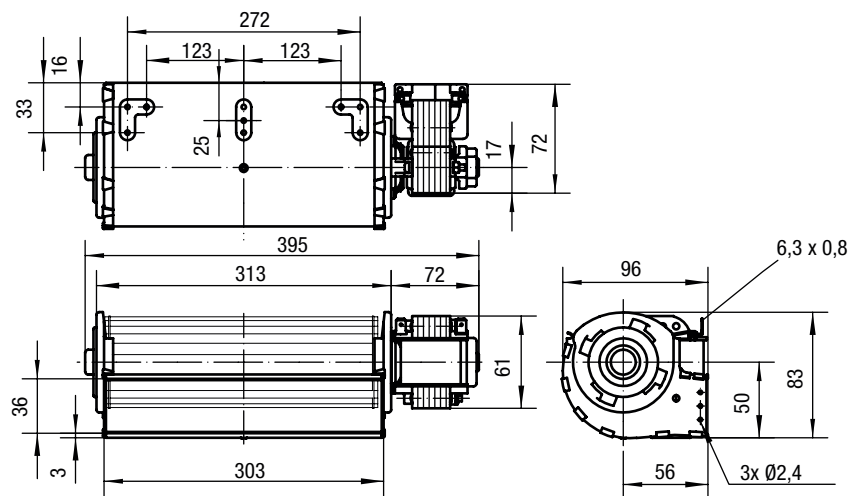
ml = Max. load · me = Max. efficiency · fa = Running at free air · cs = Customer specs · cu = Customer unit
Subject to alterations



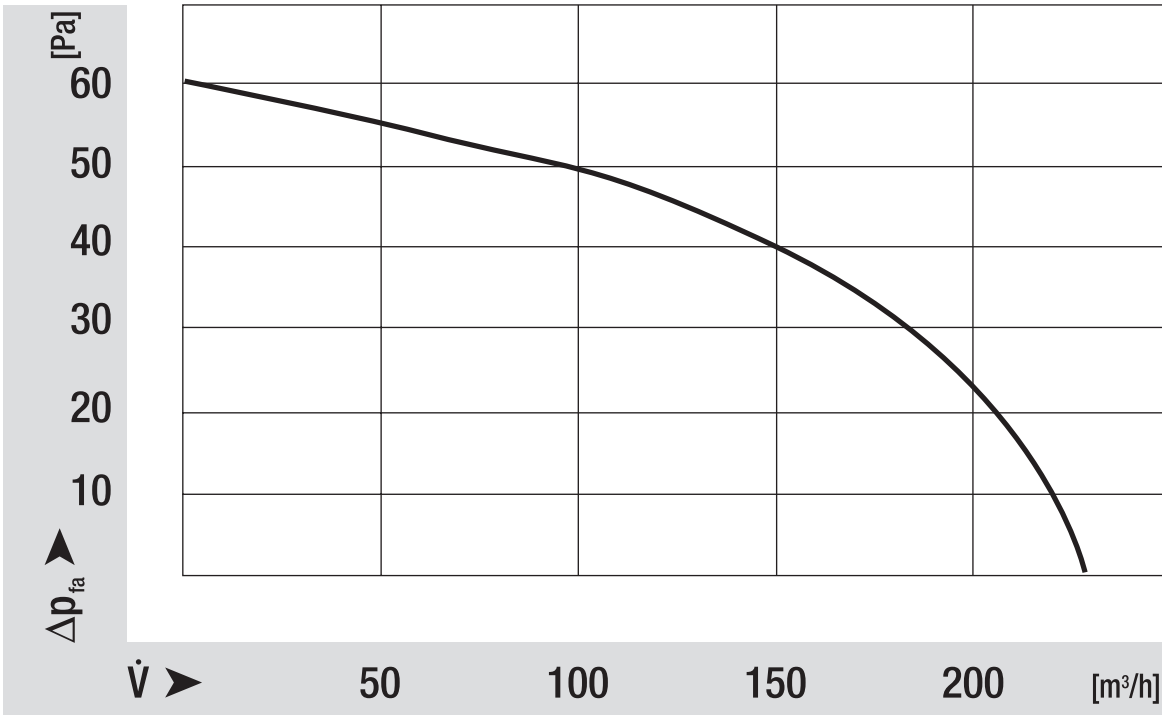
Technical features

Mass	1.70 kg
Dimensions	60 mm
Insulation class	B F or H also available on request
Mounting position	Horizontal or vertical with motor at bottom
Connection line	Flat plug 6.3 x 0.8

Product drawing



Charts: Air flow



Charts: Speed

