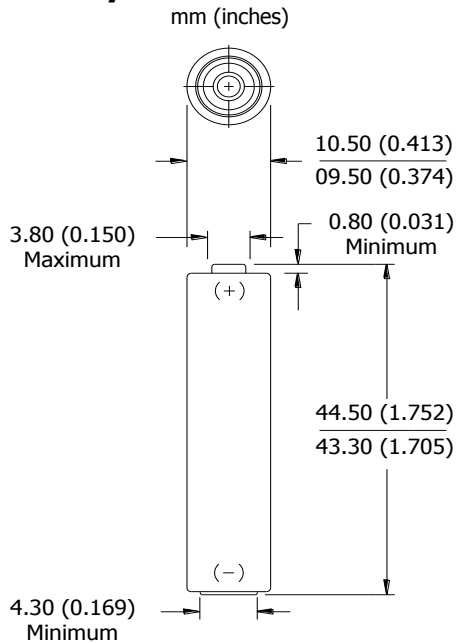


ENERGIZER EA92
Advanced Lithium

AAA



Industry Standard Dimensions

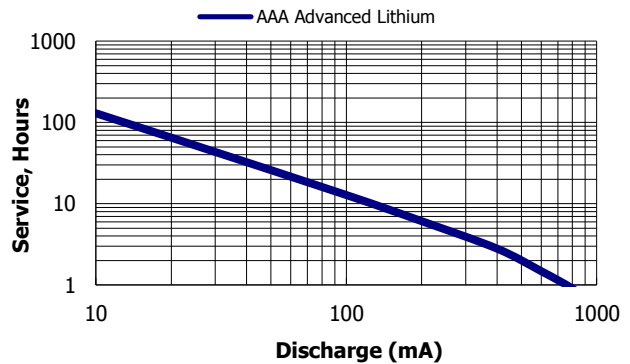


Specifications

Classification:	"Cylindrical Lithium"
Chemical System:	Lithium/Iron Disulfide (Li/FeS ₂)
Designation:	ANSI 24-LF, IEC-FR03
Nominal Voltage:	1.5 Volts
Typical Weight:	7.6 grams (0.3 oz.)
Typical Volume:	3.8 cubic centimeters (0.2 cubic inch)
Max Discharge:	1.0 Amp Continuous
(single battery only)	1.5 Amps Pulse (2 sec on / 8 sec off)
Typical Li Content:	Less than 1 gram
Typical IR:	170 to 500 milliohms (depending on method)
Shelf Life:	10 years at 21°C

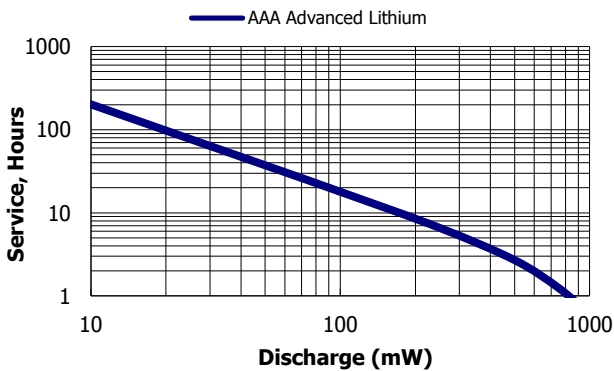
Constant Current Performance

Typical Characteristics to 1.0 Volts at 21°C



Constant Power Performance

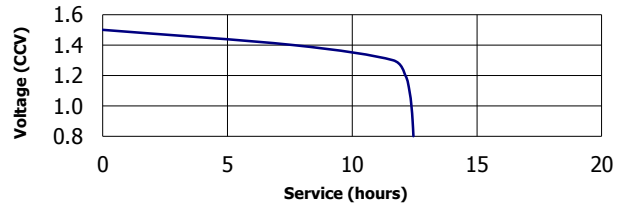
Typical Characteristics to 1.0 Volts at 21°C



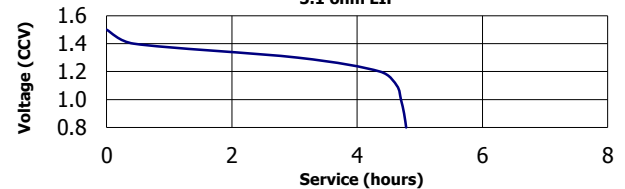
Application Tests

Typical Characteristics at 21°C

TAPE / ELECTRONIC GAME / DIGITAL AUDIO
100 mA 1 hr/day



PORTABLE LIGHTING
5.1 ohm LIF



Important Notice

This datasheet contains typical information specific to products manufactured at the time of its publication.
©Energizer Holdings, Inc. - Contents herein do not constitute a warranty.