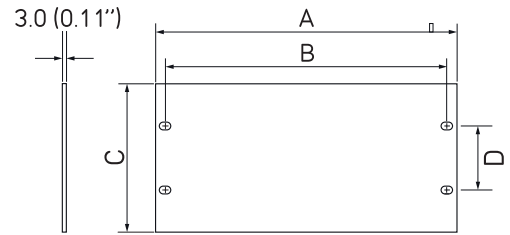


Accessories/Zubehör/Accessoires



19" Front Panels

19" Frontplatte
Plaque Avant 19"

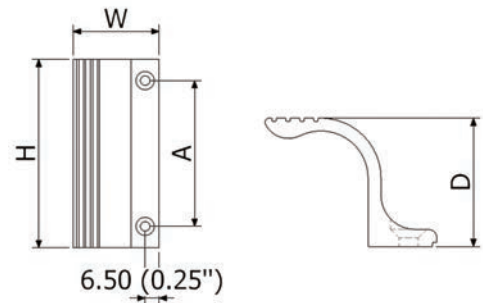


Part No. Bestell-Nr./Réf.	Version	A	B	C	D
M 60 10 001	3U x 10.5"	269.2 (10.60")	251.6 (9.90")	132.5 (5.17")	57.1 (2.23")
M 60 19 010	1U x 19"	482.6 (19.01")	465.0 (18.32")	43.6 (1.72")	31.7 (1.25")
M 60 19 020	2U x 19"	482.6 (19.01")	465.0 (18.32")	88.05 (3.47")	76.2 (3.00")
M 60 19 001	3U x 19"	482.6 (19.01")	465.0 (18.32")	132.5 (5.17")	57.1 (2.23")



Handle Kits

Griffe
Kit Poignées



Handle kits for standard 19" front panels.
Griff-Sets für 19"-Frontplatten.
Poignées pour la face avant du boîtier standard 19"

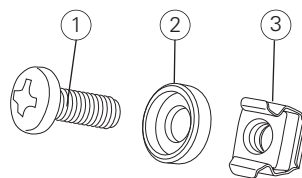
Supply: 2 Handles
M4 fixing screws and nuts
Lieferumfang: 2 Griffe
M4 Befestigungsschrauben und -muttern
Fournitures: 2 poignées
kit de fixation vis et écrous M4

Part No. Bestell-Nr./Réf.	Version	H	W	D	A	Colours Farben/Coloris
M 62 06 105	1U (1HE)	43.6 (1.71")	40 (1.57")	30 (1.18")	23.6 (0.93")	● RAL 7035
M 62 06 109	1U (1HE)	43.6 (1.71")	40 (1.57")	30 (1.18")	23.6 (0.93")	● RAL 9005
M 62 06 205	2U (2HE)	88.1 (3.46")	40 (1.57")	30 (1.18")	68.0 (2.86")	● RAL 7035
M 62 06 209	2U (2HE)	88.1 (3.46")	40 (1.57")	30 (1.18")	68.0 (2.86")	● RAL 9005
M 62 06 305	3U (3HE)	132.5 (5.21")	40 (1.57")	30 (1.18")	112.5 (4.43")	● RAL 7035
M 62 06 309	3U (3HE)	132.5 (5.21")	40 (1.57")	30 (1.18")	112.5 (4.43")	● RAL 9005
M 62 06 405	4U (4HE)	177 (6.96")	40 (1.57")	30 (1.18")	157.0 (6.18")	● RAL 7035
M 62 06 409	4U (4HE)	177 (6.96")	40 (1.57")	30 (1.18")	157.0 (6.18")	● RAL 9005
M 62 06 605	6U (6HE)	266 (10.47")	40 (1.57")	30 (1.18")	245.9 (9.68")	● RAL 7035
M 62 06 609	6U (6HE)	266 (10.47")	40 (1.57")	30 (1.18")	245.9 (9.68")	● RAL 9005

19" Mounting Kit

19"-Montage-Set
Kit de Montage Pour Châssis 19"

Part No. Bestell-Nr./Réf.	Article Artikel	Colours Farben/Coloris
M 59 00 035	① + ② + ③ x 4	● RAL 7035 ②
M 59 00 016	① + ② + ③ x 4	● RAL 9005 ②



PCB Mounting Kit

Leiterkarten Montage-Set
Jeu Pour Montage Des Circuits Imprimés

Part No. Bestell-Nr./Réf.	Article Artikel
M 56 00 001	① + ② x 10

