

CFL.Shine 11W GU10

11W GU10 Compact Fluorescent Lamp



Product Overview

Kosnic's Shine range provides low-energy replacements for common halogen lamps. Target applications include hospitality and retail environments – or wherever ageing halogen reflector lamps are found..

Features

- Outstanding light quality.
- Save energy up to 80% compared with filament lamp.
- Aluminium body for excellent heat dissipation.
- High lumen output.
- Long life of 10,000h.
- Amalgam mercury.

Safety and Maintenance

- Switch off supply before installing or removing lamp.
- Allow to cool before handling.
- Do not use in totally enclosed fittings as this will reduce lamp life.
- Do not dispose of in household waste.
- Dispose of in appropriate section of local civic amenity site or recycling centre.

Specifications

Product Code	KCF11ALU/GU10-830	KCF11ALU/GU10-840	KCF11ALU/GU10-865
Lamp Cap	GU10	GU10	GU10
Lamp Shape	PAR16	PAR16	PAR16
Nominal Power (W)	11	11	11
Voltage	220-240Vac 50-60Hz	220-240Vac 50-60Hz	220-240Vac 50-60Hz
Current (mA)	87	87	87
Nominal Useful Luminous Flux (lm)	270	270	270
Total Luminous Flux (lm)	300	300	300
CCT (K)	3000K Warm White	4000K Cool White	6500K Day Light
Nominal Lifetime (h)	10000	10000	10000
Beam Angle (°)	110	110	110
Dimmable	No	No	No
Switching Cycles	12000	12000	12000
Warm-up Time to 60% (S)	60	60	60
Suitable for Accent Lighting	No	No	No
Length (mm)	78	78	78
Diameter (mm)	50	50	50
Mercury (mg)	2.0	2.0	2.0
Clean-up Instructions	See website	See website	See website
Retrofit	No	No	No
Equivalent Wattage (W)	43	43	43
Rated Power (W)	11.0	11.0	11.0
Rated Useful Luminous Flux (lm)	270	270	270
Rated Lifetime (h)	10000	10000	10000
Power Factor	0.55	0.55	0.55
Rated Peak Candelas (cd)	90	90	90
Lumen Maintenance Factor at Nominal Lifetime	0.75	0.75	0.75
CRI	82	82	82
Start Time (s)	0.20	0.20	0.20
Ambient Temperature Range (°C)	-20 to 40	-20 to 40	-20 to 40

Notes: The Useful Luminous Flux quoted is for the output within a 90° cone as per the EU implementing directive on ecodesign requirements for directional lamps.

Energy Label

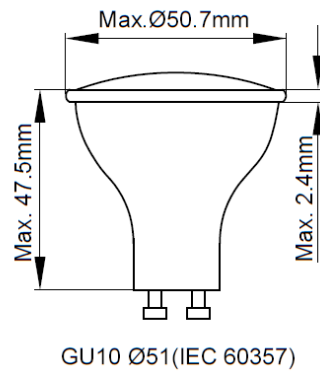
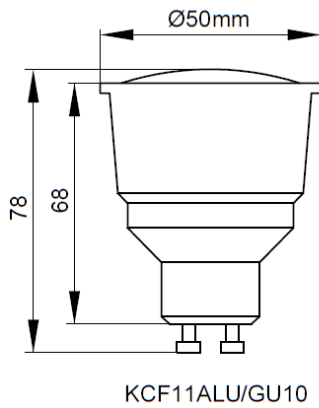
Manufacturer	Kosnic	Kosnic	Kosnic
Product Code	KCF11ALU/GU10-830	KCF11ALU/GU10-840	KCF11ALU/GU10-865
Energy Class	A	A	A
Energy Consumption (kWh/1000h)	11.00 (11)*	11.00 (11)*	11.00 (11)*

* The kWh/1000h value published on the energy label is required to be rounded up to an integer according to the EU implementing directive on Energy Labelling. The value to 2 decimal places is given for reference.

Product Markings

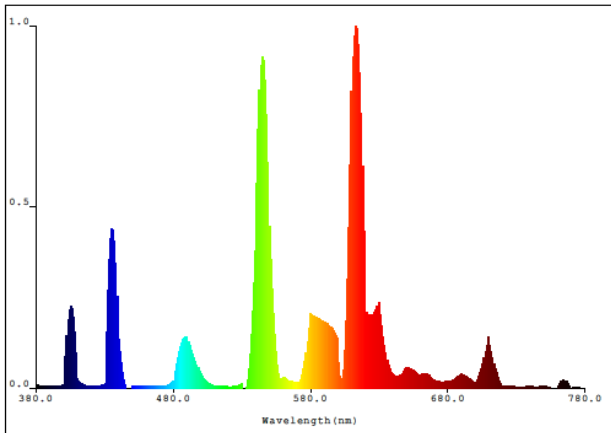
Manufacturer	Kosnic	Kosnic	Kosnic
Product Code	KCF11ALU/GU10-830	KCF11ALU/GU10-840	KCF11ALU/GU10-865
Volts (V)	220-240Vac 50-60Hz	220-240Vac 50-60Hz	220-240Vac 50-60Hz
Nominal Watts (W)	11	11	11
Current (mA)	87	87	87
Nominal Useful Luminous Flux (lm)	270	270	270
CCT (K)	3000	4000	6500
Beam Angle (°)	110	110	110
CE Mark	Yes	Yes	Yes
WEEE Mark	Yes	Yes	Yes
Batch Code	Yes	Yes	Yes

Dimensions

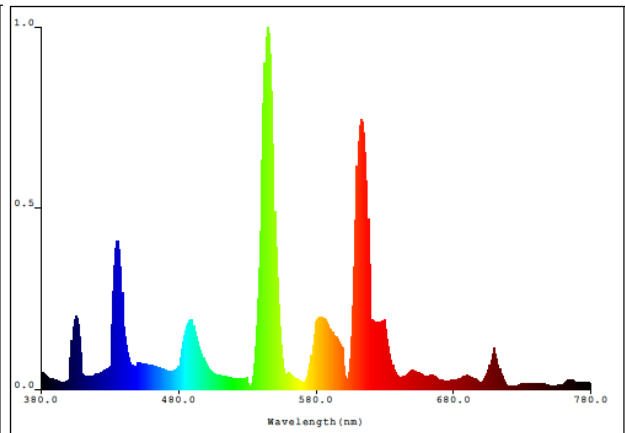


Photometric Information

3000K



4000K



6500K

