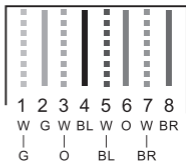


T568B



T568A



8P8C



6P6C



PLUG



Please read and learn safety instructions before use or maintain the equipment

- This cable tester can't test any electrified product.
- 9V reduplicated battery is used in this tester. Battery is advised to change if any weak light appears.
- Test can't be done while RJ45's copper screezers are not totally pressed. Any disobeys may lead to a permanent damage of the end!
- Please use quality tools to press the cables.
- Take out the battery if the tester isn't used for a long time.

I. Functions

1. It can test corresponding double-twisted cable 1,2,3,4,5,6,7,8 and G, meanwhile, it can judge wrong connection, short circuit and open circuit.
2. XT-468N-BX testes RJ45, RJ11 Cable
3. "OFF" means Power off, "ON" means normal speed, "S" means Slow Speed.
4. Tickle the "LAMP" button, the light will be on (NF468L/NF468BL).

II. Operation (eg: RJ45)

Turn on the tester with battery, choose "ON" (Normal grade) or "S" (Slow grade). Connect the RJ45 with Main Tester and Remote Tester, the lights of the main tester will turn on sequentially from 1 to G as below:

Main Tester: 1-2-3-4-5-6-7-8-G

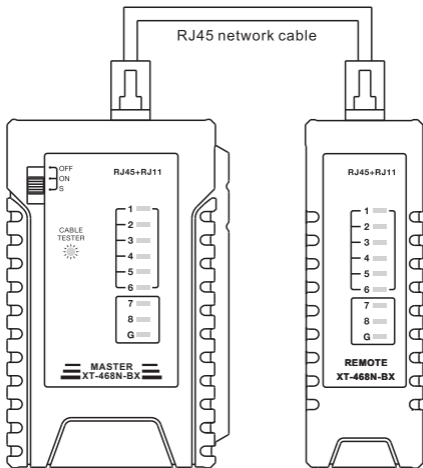
Remote Tester: 1-2-3-4-5-6-7-8-G

The Following are abnormal connections

1. If one cable, for example cable NO.3 is open circuited, the two NO.3 lights of the main tester and remote tester will not turn on.
 2. If several cables are not connected, several lights will not turn on respectively. If less than two cables are connected, none of the lights is on.
 3. If two ends of a cable are disordered, for example NO.2 and NO.4, then display on:
Main Tester: 1-2-3-4-5-6-7-8-G
Remote Tester: 1-4-3-2-5-6-7-8-G
 4. If two cables are short circuited, neither of the corresponding lights is on of the remote tester while main tester remains unchanged.
- ### **III. If test patch panels or wall plate outlets, two cables which can match each other (eg 110P4-RJ45) will be connected to the tester.**

Test by RJ45 cable

1. Switch on the power, choose "ON" or "S", the power light will turn on.
2. If UTP tested, the lights of the main tester and remote tester will turn on sequentially from 1 to 8; If STP tested, the lights of the main tester and remote tester will turn on sequentially from 1 to G.
3. If the cable is breakage, disorder, short circuit, the result is as what was said above.
4. After operation, turn off the tester.



XT-468N-BX Main Tester

XT-468N-BX Remote Tester

Test by RJ11/RJ12 Cable

1. Switch on the power, choose "ON" or "S", the power light will turn on.
2. If RJ11 tested, the lights of the main tester and remote tester will turn on sequently from 2 to 5. If RJ12 tested, the lights of the main tester and remote tester will turn on sequently from 1 to 6.
3. If the cable is breakage, disorder, short circuit, the result is as what was said above.
4. After operation, turn off the tester.

