

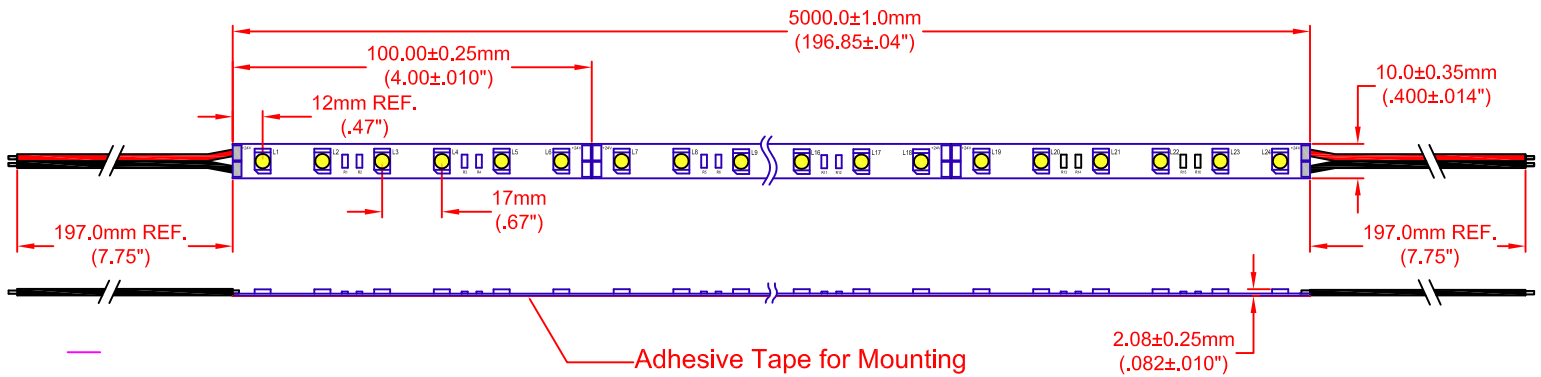
10mm X 5000mm SMD LIGHT RIBBON

Features

Voltage: 24V DC
 Current: 2165mA
 LED Viewing Angle (2 θ 1/2): 120°
 Standard Packaging:
 5 Meter Reel (300 LED's)



Dimensions



Electro-Optical Characteristics (T_J = 25°C)

| Part Number | Color | Number of LEDs | Input Voltage (V DC) | Power (W) | Current (mA) | Radiance Angle (Deg.) | λd(nm)/ CCT(K) | Lumen Flux (lm) |
|---------------|---------------|----------------|----------------------|-----------|--------------|-----------------------|----------------|-----------------|
| ZFS-245000-CW | Cool White | 300 | 24 | 67.2 | 2800 | 120 | 15000 | 3900 |
| ZFS-245000-NW | Neutral White | 300 | 24 | 67 | 2800 | 120 | 4200 | 4525 |
| ZFS-245000-WW | Warm White | 300 | 24 | 52 | 2165 | 120 | 3100 | 3650 |

Note: Flux is measured with an accuracy of +/- 10%.

Maximum Ratings

| Parameter | Symbol | Rating | Units |
|--------------------------|------------------|------------|-------|
| LED Junction Temperature | T _J | 125 | °C |
| Operating Temperature | T _{opr} | -20 ~ +85 | °C |
| Storage Temperature | T _{stg} | -20 ~ +100 | °C |
| ESD Sensitivity | V _B | 1000 | V |

ATTENTION



OBSERVE PRECAUTION FOR HANDLING ELECTROSTATIC DISCHARGE SENSITIVE DEVICES

METRIC
 DIMENSIONS ARE MILLIMETER (INCH)
 TOLERANCE UNLESS OTHERWISE SPECIFIED
 1 PL +/- REF.
 2 PL +/- REF.
 ANGLE +/- REF.

THIRD ANGLE PROJECTION

JKL COMPONENTS CORPORATION

TITLE: 10 X 5000mm, 17mm PITCH, WHITE LED FLEX RIBBON

| | | |
|---|--------------------------------|---------|
| C | ELECTRO-OPTICAL CHART UPDATE | 1/29/14 |
| B | ADD UL SYMBOL | 12/9/13 |
| A | ADD MATING COMPONENTS & PAGE 2 | 5/20/13 |
| | RELEASED | 2/5/13 |

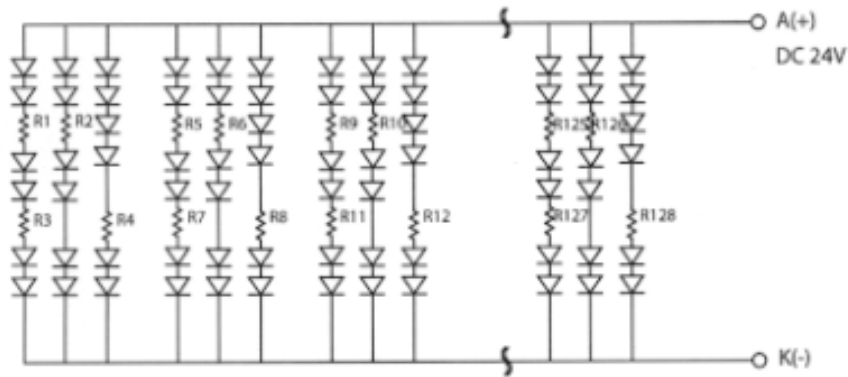
DRAWN BY: L. WENGSTROM
 APPVD BY: L.R.
 DATE: 1/29/14

- CAD DRAWING -
 MANUAL REVISIONS NOT PERMITTED

| | | |
|--------------------|------------------------------|--------------------------------------|
| SIZE: A | FSCM NO.: 55335 | DRAWING NO.: ZFS-245000 MULTI |
| SCALE: NONE | RELEASED DATE: 2/5/13 | REVISION DATE: 1/29/14 |
| | REV. NO.: C | SHEET 1 OF 2 |

10mm X 5000mm SMD LIGHT RIBBON

Circuit Diagram



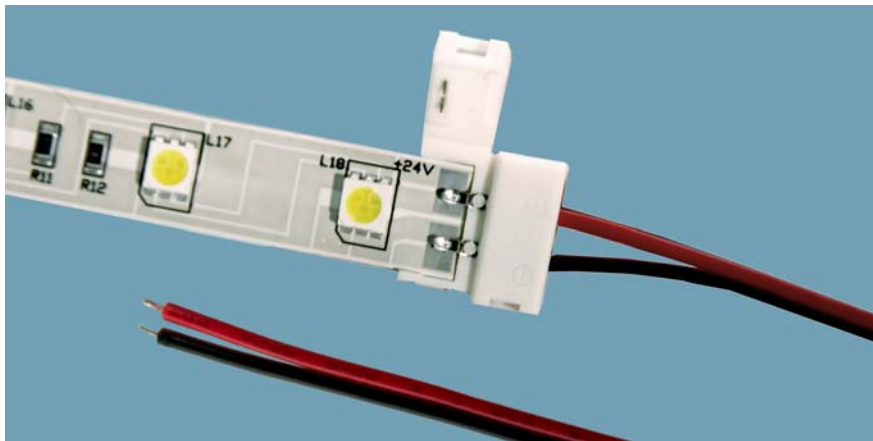
Accessories

ZPS-2435 OR ZPS-2460 MeanWell Power Supply

Mating Components



ZFS-CH0-12J
Flex to Flex Tape Connector



ZFS-CH144-12I
Flex Tape Input Connector