

Ultimate Connector with Integral Cable Clamp Cap

Glass Filled Nylon Range -29 to 220°C (-20 to 425°F)
Type OSTW Standard Size with Cable Clamp Cap

OSTW-CC Series



- ✓ Integral Cap and Cable Clamp
- ✓ Strain Relief With Grommet
- ✓ Pull Test High Rating
- ✓ Captive Cover and Clamp Screws
- ✓ Wire Termination Up to Size 14 AWG
- ✓ 1/8" Back Plate (Supplied) Accepts: Stranded, Solid, TWSH, Overbraid, or RSC Coil Cord Wire
- ✓ 1/4" Back Plate (Optional) Clamps to 8.2 mm (0.325") OD
- ✓ Contact Washers for Quick Connect Wire Terminations—No Wire Loop Required
- ✓ Internal Wire Divider
- ✓ Write-On Window
- ✓ Combination Phillips/Slot Screws
- ✓ 100% Top Side Assembly

**Incredible Labor Saver!
No Loose Screws, All
Cover Screws Are
Captive!**

Back plate: 1/8" ϕ supplied to fit soft and overbraid wire. Optional: 1/4" ϕ to fit armored cable.

Terminate straight wire, wire loop not necessary.

See newportUS.com for TC wire selection.

Grommets included.

Contact washers.

All screws are combination head.

Hollow pin standard, solid pin available.

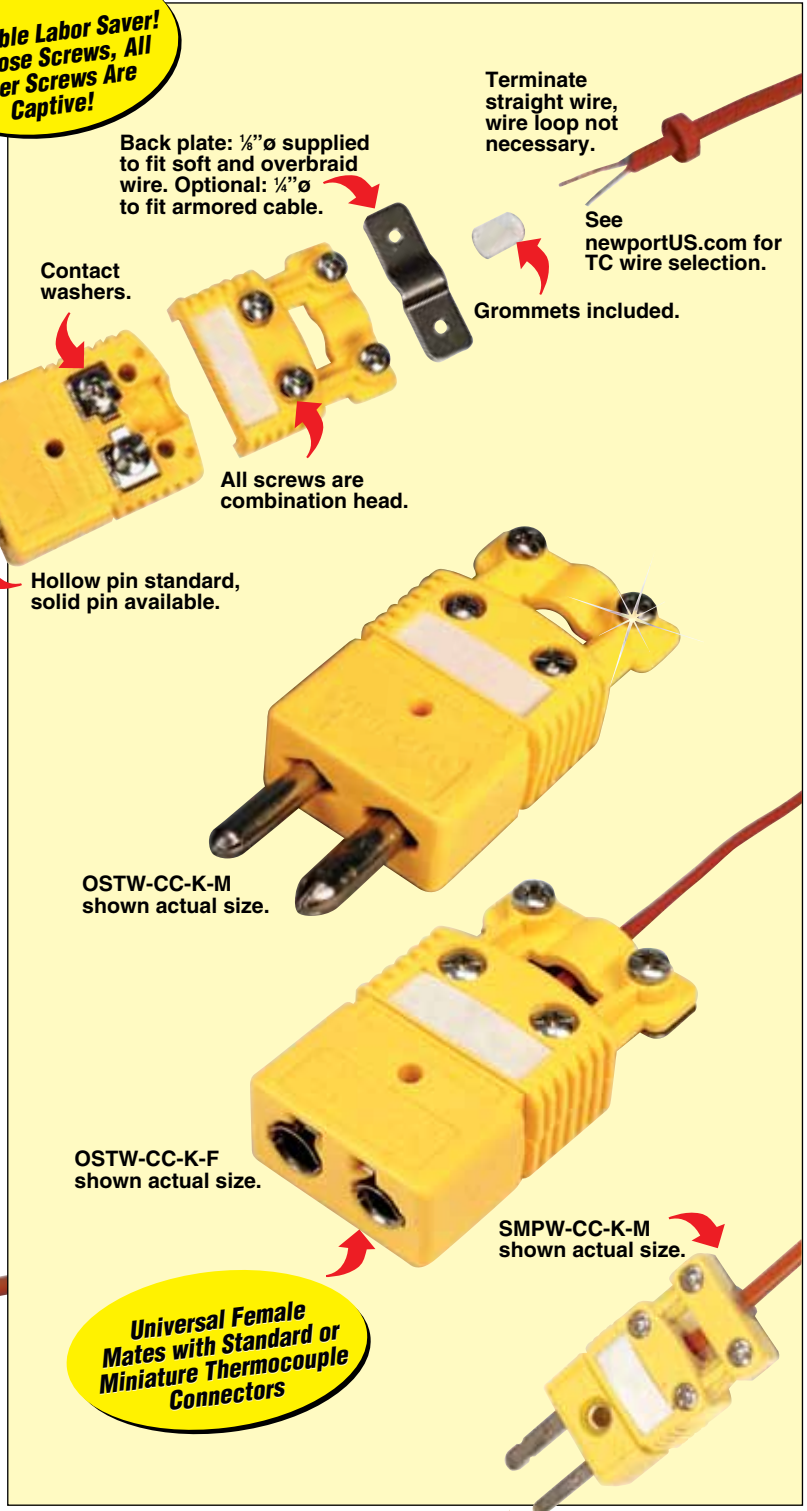
OSTW-CC-K-M shown actual size.

OSTW-CC-K-F shown actual size.

SMPW-CC-K-M shown actual size.

**Universal Female
Mates with Standard or
Miniature Thermocouple
Connectors**

**Reduce Assembly
Time From 3 Minutes
to Less Than
1 Minute!**

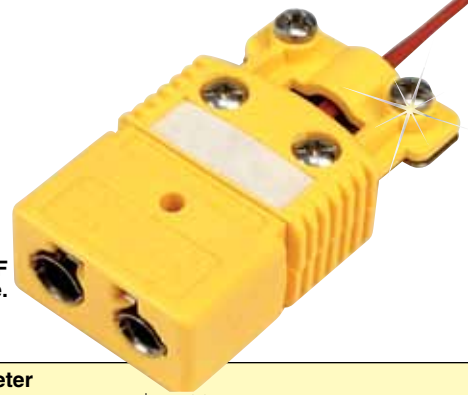


OSTW-CC-K-M shown actual size.



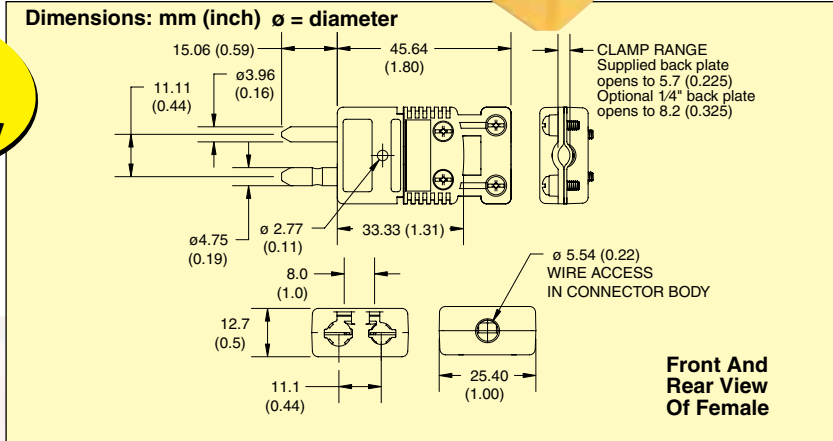
Pull Test Highest Rating

OSTW-CC-K-F shown actual size.



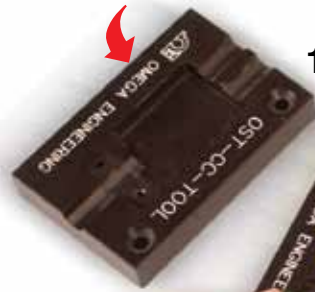
Side Load Equal to Stainless Steel

Discount Schedule	
1-10	Net
11-49	5%
50-99	10%
100-999	15%
1000-4999	20%
5000 and over.....	25%



Quick Assembly Tool!

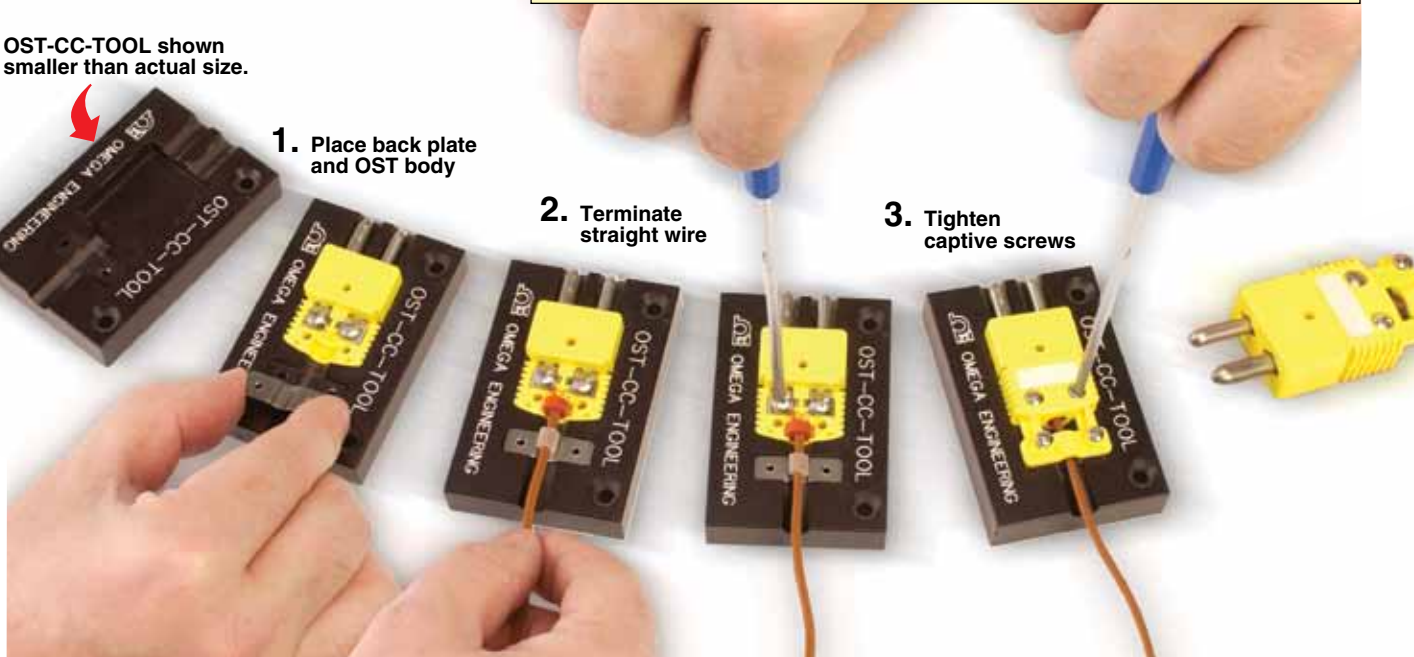
OST-CC-TOOL shown smaller than actual size.



1. Place back plate and OST body

2. Terminate straight wire

3. Tighten captive screws



To Order Visit newportUS.com/ostw-cc for Pricing and Details

Alloy Code	Compensating Alloy Used in Connector		ANSI Color Code	Glass-Filled Nylon Model Number	
	(+)	(-)		Male**	Uni-Female
K	CHROMEGLA	ALOMEGA	Yellow	OSTW-CC-K-M	OSTW-CC-K-F
T	Copper	Constantan	Blue	OSTW-CC-T-M	OSTW-CC-T-F
J	Iron	Constantan	Black	OSTW-CC-J-M	OSTW-CC-J-F
E	CHROMEGLA	Constantan	Purple	OSTW-CC-E-M	OSTW-CC-E-F
R/S	Copper	RNX/SNX	Green	OSTW-CC-R/S-M	OSTW-CC-R/S-F
C	CPX	CNX	Red	OSTW-CC-C-M	OSTW-CC-C-F
U	Copper	Copper	White	OSTW-CC-U-M	OSTW-CC-U-F
N	OMEGA-P	OMEGA-N	Orange	OSTW-CC-N-M	OSTW-CC-N-F

* To order a pair, replace suffix "M" with "MF" for a connector pair.

** To order solid pin pale connectors, add suffix "-S" to the model number for additional cost.

Ordering Example: OSTW-CC-K-M, clamp cap, Type K, hollow pin male.