

PLEASE CHECK WWW.MOLEX.COM FOR LATEST PART INFORMATION

Part Number: [501331-0707](#)
Status: **Active**
Overview: Pico-Clasp™ Single and Dual Row Wire-to-Board Connectors
Description: 1.00mm Pitch Pico-Clasp™ Wire-to-Board Header, Surface Mount, Single Row, Vertical, with Positive Lock, 7 Circuits, with Cover Tape, Lead-Free

Documents:

[3D Model](#) [Packaging Specification SPK-501331-001 \(PDF\)](#)
[Drawing \(PDF\)](#) [RoHS Certificate of Compliance \(PDF\)](#)
[Product Specification PS-501331-001 \(PDF\)](#)

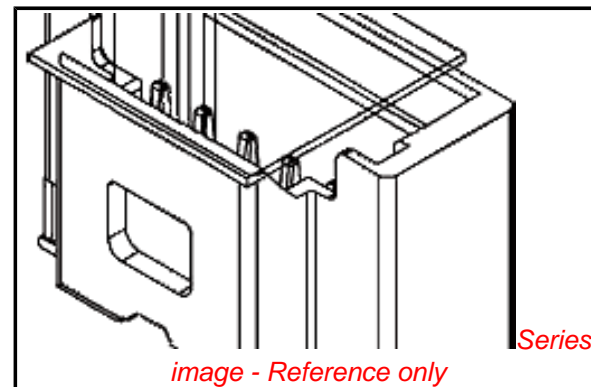


image - Reference only

General

| | |
|----------------|--------------------------------------------------------------------------|
| Product Family | PCB Headers |
| Series | 501331 |
| Application | Signal, Wire-to-Board |
| Overview | Pico-Clasp™ Single and Dual Row Wire-to-Board Connectors |
| Product Name | Pico-Clasp™ |
| UPC | 822348542864 |

Physical

| | |
|--------------------------------|-----------------------|
| Breakaway | No |
| Circuits (Loaded) | 7 |
| Circuits (maximum) | 7 |
| Color - Resin | Natural |
| Durability (mating cycles max) | 30 |
| Glow-Wire Compliant | No |
| Lock to Mating Part | Yes |
| Material - Metal | Phosphor Bronze |
| Material - Plating Mating | Tin |
| Material - Plating Termination | Tin |
| Material - Resin | Nylon |
| Net Weight | 163.100/mg |
| Number of Rows | 1 |
| Orientation | Vertical |
| PCB Locator | No |
| PCB Retention | Yes |
| Packaging Type | Embossed Tape on Reel |
| Pitch - Mating Interface | 1.00mm |
| Polarized to Mating Part | Yes |
| Polarized to PCB | No |
| Robotic Placement | Vacuum Pick-Up Tape |
| Stackable | No |
| Temperature Range - Operating | -40°C to +85°C |
| Termination Interface: Style | Surface Mount |

Electrical

| | |
|-------------------------------|-----------------|
| Current - Maximum per Contact | 1A |
| Voltage - Maximum | 50V AC (RMS)/DC |

Material Info

Reference - Drawing Numbers

| | |
|-------------------------|------------------------------------------------------------------------------------------------|
| Packaging Specification | SPK-501331-001 |
| Product Specification | PS-501331-001, RPS-501331-001, RPS-501331-002, RPS-501331-003, RPS-501331-005, RPS-501331-006, |

EU RoHS
ELV and RoHS
Compliant
REACH SVHC
Contains SVHC: No
Low-Halogen Status
Not Low-Halogen



Need more information on product environmental compliance?

Email productcompliance@molex.com
For a multiple part number RoHS Certificate of Compliance, [click here](#)

Please visit the [Contact Us](#) section for any non-product compliance questions.

Search Parts in this Series

501331Series

Mates With

501330 Pico-Clasp™ Wire-to-Board Female Housing

Sales Drawing

RPS-501331-007, RPS-501331-009, RPS-501331-010,
RPS-501940-001, RPS-501940-002
SD-501331-002, SD-501331-004

This document was generated on 04/15/2014

PLEASE CHECK WWW.MOLEX.COM FOR LATEST PART INFORMATION