

**PLEASE CHECK WWW.MOLEX.COM FOR LATEST PART INFORMATION**

**Part Number:** [78234-1001](#)  
**Status:** **Active**  
**Overview:** GbX I-Trac™ Backplane Connector System  
**Description:** GbX I-Trac™ Right Angle Header with Left Hold Down, Power Module, 2 Blades, 80 Amps, Lead-Free

**Documents:**

[3D Model](#) [Application Specification AS-78231-007 \(PDF\)](#)  
[Drawing \(PDF\)](#) [RoHS Certificate of Compliance \(PDF\)](#)  
[Product Specification PS-78231-006 \(PDF\)](#)

**Agency Certification**

CSA LR19980  
 UL E29179

**General**

Product Family Backplane Connectors  
 Series [78234](#)  
 Application Daughtercard  
 Component Type Power Header  
 Overview [GbX I-Trac™ Backplane Connector System](#)  
 Product Name GbX I-Trac™  
 Style N/A  
 UPC 883906023331

**Physical**

Circuits (Loaded) 2  
 Circuits (maximum) 2  
 Circuits Detail 80 Amps (40/Split Blade). Power Module 1: Blade Length P1, 8.27mm; P2, 8.27mm  
 Color - Resin Black  
 Durability (mating cycles max) 100  
 First Mate / Last Break No  
 Flammability 94V-0  
 Guide to Mating Part No  
 Keying to Mating Part None  
 Material - Metal High Performance Alloy (HPA)  
 Material - Plating Mating Gold  
 Material - Plating Termination Tin  
 Material - Resin High Temperature Thermoplastic  
 Net Weight 10.495/g  
 Number of Columns 1  
 Number of Pairs 6  
 Number of Rows 2  
 Orientation Right Angle  
 PC Tail Length 2.41mm  
 PCB Locator Yes  
 PCB Retention Yes  
 PCB Thickness - Recommended 1.60mm  
 Packaging Type Tray  
 Pitch - Mating Interface 2.00mm, 7.40mm  
 Pitch - Termination Interface 2.00mm, 7.40mm  
 Plating min - Mating 0.762µm  
 Plating min - Termination 2.540µm  
 Polarized to PCB Yes  
 Stackable No

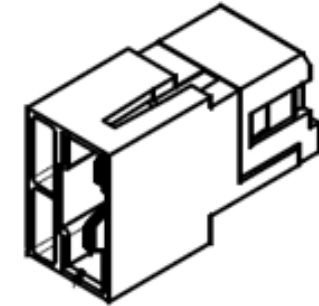


image - Reference only

Series

**EU RoHS**

**ELV and RoHS Compliant**

**REACH SVHC**

**Contains SVHC: No Low-Halogen Status Low-Halogen**

**China RoHS**



**Need more information on product environmental compliance?**

Email [productcompliance@molex.com](mailto:productcompliance@molex.com)  
 For a multiple part number RoHS Certificate of Compliance, [click here](#)

Please visit the [Contact Us](#) section for any non-product compliance questions.

**Search Parts in this Series**

[78234Series](#)

**Mates With**

[78232 GbX I-Trac™ Vertical Receptacle, Power Module](#), [78235 GbX I-Trac™ Power Right Angle Receptacle](#)

**Use With**

[75710 GbX I-Trac™ Right Angle, 11 Row Receptacle Module](#)

**Application Tooling | FAQ**

*Tooling specifications and manuals are found by selecting the products below. Crimp Height Specifications are then contained in the Application Tooling Specification document.*

**Global**

Description	Product #
Press-in Tool for Right Angle Power Receptacle and Header for 11-Row	<a href="#">0622018628</a>

Surface Mount Compatible (SMC)	Yes
Temperature Range - Operating	-20°C to +85°C
Termination Interface: Style	Through Hole - Compliant Pin

### **Electrical**

Current - Maximum per Contact	80A
Data Rate	12.0 Gbps
Shield Type	N/A
Shielded	No
Voltage - Maximum	250V DC

### **Material Info**

#### **Reference - Drawing Numbers**

Application Specification	AS-78231-007
Product Specification	PS-78231-006
Sales Drawing	SD-78234-003

This document was generated on 10/07/2013

**PLEASE CHECK [WWW.MOLEX.COM](http://WWW.MOLEX.COM) FOR LATEST PART INFORMATION**