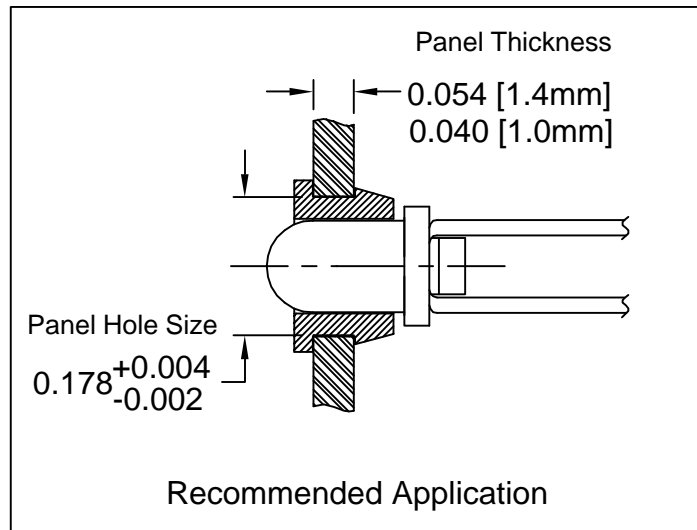
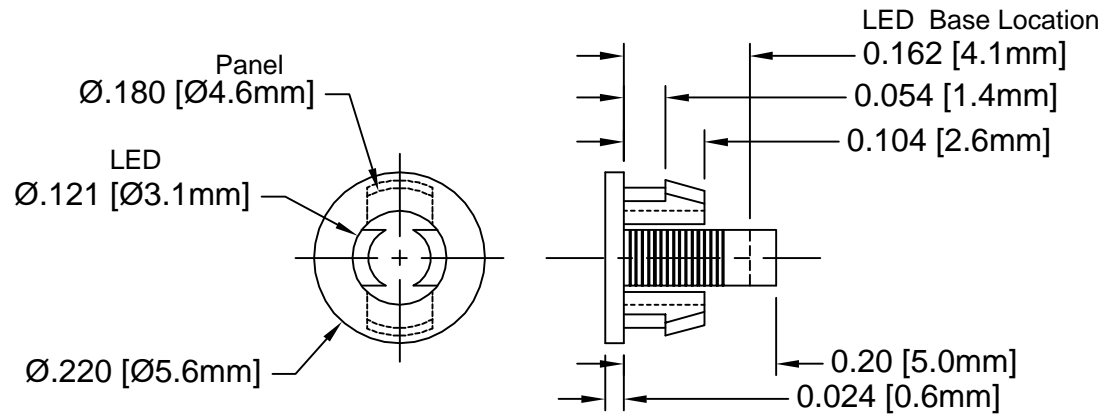


REV.	DESCRIPTION	DATE	APPROVED
D	Engineering Update w/o Changes	02/24/04	M. C.



2. MATERIAL: NYLON 6/6, 94V-0, BLACK. BIVAR MATERIAL CODE 22-BK.
RTP POLYAMIDE NYLON 6/6, 0200 FR, BLACK OR MODIFIED PLASTICS MN6/6-SE BK.
1. GENERAL SPECIFICATIONS: BIVAR MOLDED COMPONENT SPECIFICATION BV00-E101.

STANDARD TOLERANCE (UNLESS OTHERWISE SPECIFIED)		BIVAR®	
DECIMALS	ANGULAR	4 THOMAS, IRVINE, CA. 92618	
.X $\pm .1$	X° $\pm 1^\circ$	TEL: (949) 951-8808 FAX: (949) 951-3974	
.XX $\pm .01$		TITLE: T-1 (3mm) LED SELF-RETAINING CLIP	
.XXX $\pm .005$		DESIGNED: David Green	DATE: 05/23/02
		CHECKED: M. Chen	DATE: 06/03/02
		PART NO: C-103-SR	REVISION: D
		CAGE CODE : 32559	SHEET # 1 OF 1
		CAD GENERATED DOCUMENT, DO NOT MEASURE DRAWING.	