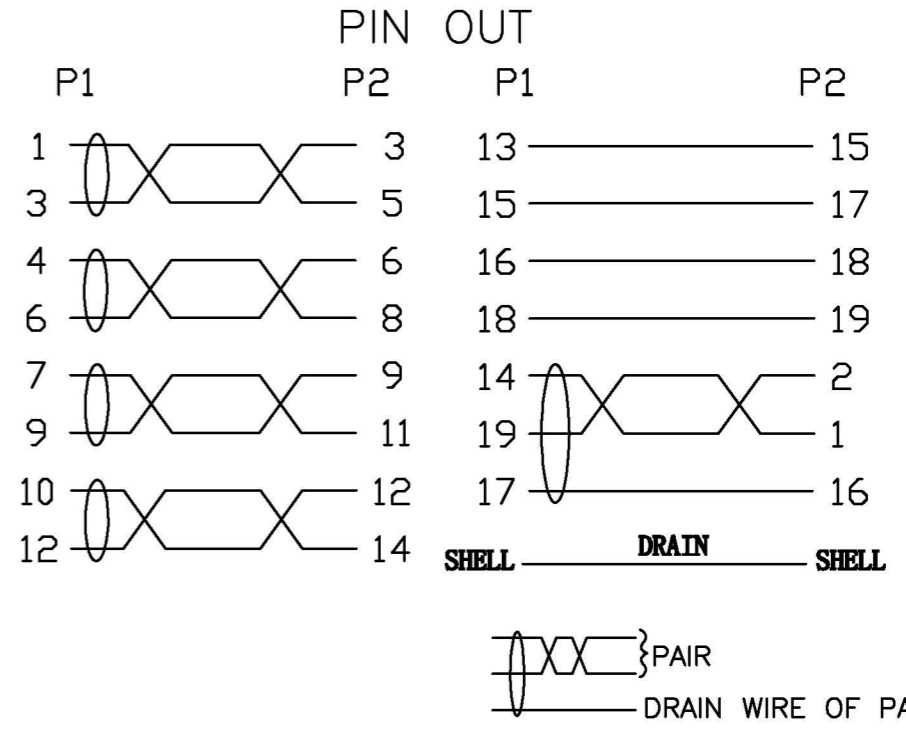


P/N:

P/N	L(MM)	T(MM)
AV23291(PSG03806)	1000	±30
AV23292(PSG03807)	2000	±50
AV23293(PSG03808)	3000	±50

NOTES:  
 1:100% short,open and miss wire test.  
 2:Insulation resistance:DC300V 10MΩ(Min)  
 Conduction resistance 5Ω(Max)



NO.	MATERIAL	DESCRIPTIONG	QTY.	UNIT
⑦	DUST CAP	DUST CAP FOR HDMI D TYPE MALE,LDPE	1	PCS
⑥	DUST CAP	DUST CAP FOR HDMI A TYPE MALE,LDPE	1	PCS
⑤	OUTER MOLDED	WHITE 45P PVC	0.024	KG
④	INNER MOLDED	LDPE	0.024	KG
③	CONNECTOR	HDMI D TYPE MALE,THE PIN GOLD PLATED,THE SHELL FOR GOLD PLATING	1	PCS
②	CONNECTOR	HDMI A TYPE MALE,THE PIN GOLD PLATED,THE SHELL FOR GOLD PLATING	1	PCS
①	CABLE	(1P*34AWG+AL)*4C+(1P*34AWG+D+AL+MY)*1C+4C*34AWG+ADB JACKET:BLACK PVC,OD:3.8±0.15MM	L	MM

Ltemref	Quantity	Title/Name,designation,material,dimension etc	Article No./Reference
Designed by ACHY	Checked by HELEN	Approved by - date OCT 30.2013	File name HDMI AM TO DM
		Date OCT 31.2013	Scale FREE
ANGLE:		LEAD, HDMI A PLUG TO MICRO D PLUG	
UNIT:MM		SEE TABLE	Edition 1 Sheet 1/1