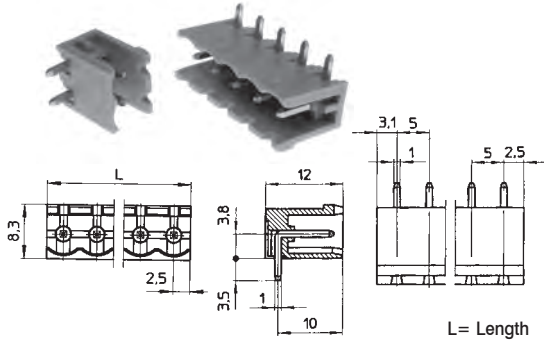


PCB mounting male horizontal (open ended)

CTB9350/- AO Series



Type No.	Poles	Length
CTB9350/2AO	2	10mm
CTB9350/3AO	3	15mm
CTB9350/4AO	4	20mm
CTB9350/5AO	5	25mm
CTB9350/6AO	6	30mm
CTB9350/7AO	7	35mm
CTB9350/8AO	8	40mm
CTB9350/9AO	9	45mm
CTB9350/10AO	10	50mm
CTB9350/11AO	11	55mm
CTB9350/12AO	12	60mm
CTB9350/13AO	13	65mm

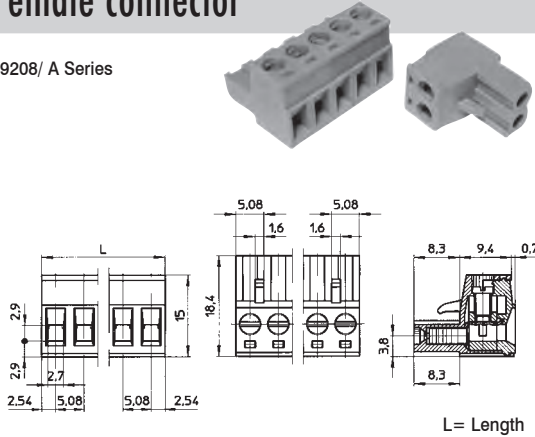
Type No.	Poles	Length
CTB9350/14AO	14	70mm
CTB9350/15AO	15	75mm
CTB9350/16AO	16	80mm
CTB9350/17AO	17	85mm
CTB9350/18AO	18	90mm
CTB9350/19AO	19	95mm
CTB9350/20AO	20	100mm
CTB9350/21AO	21	105mm
CTB9350/22AO	22	110mm
CTB9350/23AO	23	115mm
CTB9350/24AO	24	120mm

5.08mm Pitch Plug-in Rising Clamp Terminal

- 2-24 pole solid block
- Plug in
- Open & closed headers
- Horizontal female
- Horizontal female plug style
- Polarised mouldings
- Moulded in green
- UL94-V0 flame retardant PA
- Professional rising clamp terminals
- 2.5mm² cable entry
- cULus, CE approved
- Anti solder wicking
- Captive screws
- Guided pin alignment

Female connector

CTB9208/ A Series

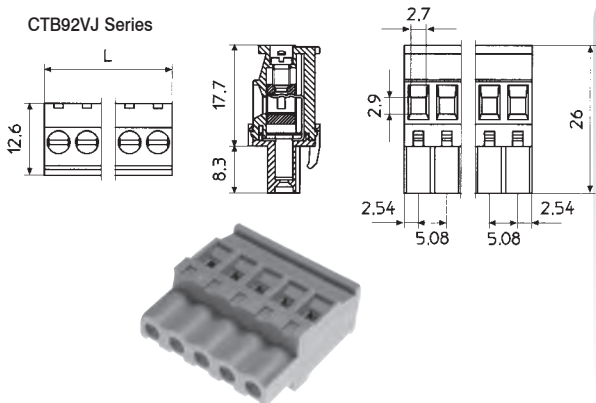


Type No.	Poles	Length
CTB9208/2	2	10.16mm
CTB9208/3	3	15.24mm
CTB9208/4	4	20.32mm
CTB9208/5	5	25.4mm
CTB9208/6	6	30.48mm
CTB9208/7	7	35.56mm
CTB9208/8	8	40.64mm
CTB9208/9	9	45.72mm
CTB9208/10	10	50.8mm
CTB9208/11	11	55.88mm
CTB9208/12	12	60.96mm
CTB9208/13	13	66.04mm

Type No.	Poles	Length
CTB9208/14	14	71.12mm
CTB9208/15	15	76.2mm
CTB9208/16	16	81.28mm
CTB9208/17	17	86.36mm
CTB9208/18	18	91.44mm
CTB9208/19	19	96.52mm
CTB9208/20	20	101.6mm
CTB9208/21	21	106.68mm
CTB9208/22	22	111.76mm
CTB9208/23	23	116.84mm
CTB9208/24	24	121.92mm

Vertical female connector (standard)

CTB92VJ Series



Type No.	Poles	Length
CTB92VJ/2S	2	10.16mm
CTB92VJ/3S	3	15.24mm
CTB92VJ/4S	4	20.32mm
CTB92VJ/5S	5	25.4mm
CTB92VJ/6S	6	30.48mm
CTB92VJ/7S	7	35.56mm
CTB92VJ/8S	8	40.64mm
CTB92VJ/9S	9	45.72mm
CTB92VJ/10S	10	50.8mm
CTB92VJ/11S	11	55.88mm
CTB92VJ/12S	12	60.96mm
CTB92VJ/13S	13	66.04mm

Type No.	Poles	Length
CTB92VJ/14S	14	71.12mm
CTB92VJ/15S	15	76.2mm
CTB92VJ/16S	16	81.28mm
CTB92VJ/17S	17	86.36mm
CTB92VJ/18S	18	91.44mm
CTB92VJ/19S	19	96.52mm
CTB92VJ/20S	20	101.6mm
CTB92VJ/21S	21	106.68mm
CTB92VJ/22S	22	111.76mm
CTB92VJ/23S	23	116.84mm
CTB92VJ/24S	24	121.92mm

Tel: +44 (0)1638 716101 Fax: +44 (0)1638 716554

E-mail: camdeninfo@camdenelec.com Website: www.camdenelec.com

E-mail: enquiry@boss-enclosures.co.uk Web: www.boss-enclosures.co.uk

Because we operate a constant improvement policy, our products are subject to change without notice.