

# PC Board Audio Jack



**RoHS  
Compliant**

## Specifications:

### Electrical

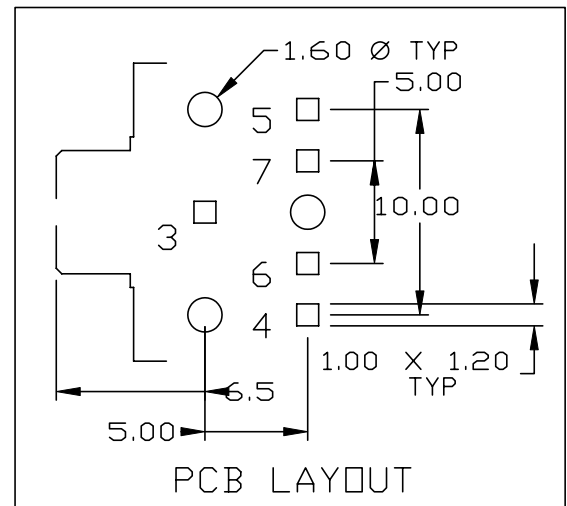
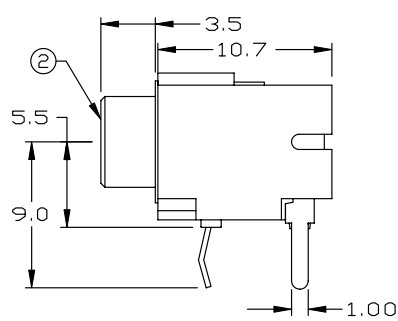
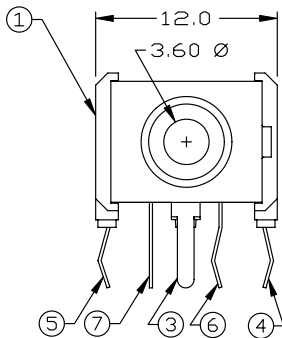
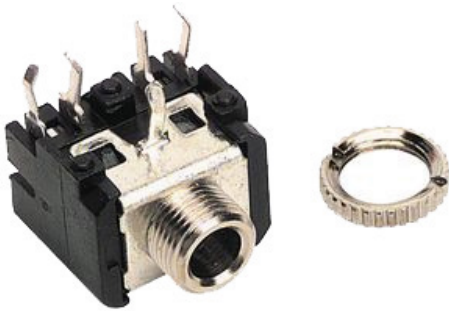
Contact Resistance : 30mΩ Max.  
 Insulation Resistance : 100MΩ Min.at 500V DC  
 Dielectric Strength : 500V AC for 1 Minute.

### Mechanical

Life : 5,000 Cycles  
 Insertion Force : 0.3kg - 2kg  
 Withdrawal Force : 0.3kg - 2kg

### General

Connector Type : RCA / Phono  
 Gender : Jack  
 Connector Colour : Black  
 Contact Termination : Through Hole Right Angle  
 Contact Plating : Silver  
 Pin Size : 3.5mm  
 Connector Mounting : PCB



Dimensions : Millimetres

**Note:** T = Threaded Bushing (M6 × P0.5)  
 N = Non Threaded Bushing

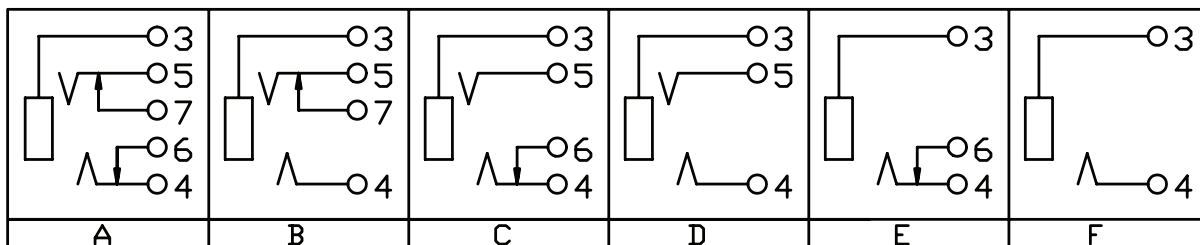


# PC Board Audio Jack



Item	Description	Material / Finish
1	Housing	PBT - Black
2	Bushing	Brass - Nickel Plated
3	Sleeve	Steel 0.5mm Thick - Silver Plated
4	Tip	Phosphor Bronze 0.3mm Thick - Silver Plated
5	Ring	Phosphor Bronze 0.2.5mm Thick - Silver Plated
6	Shunt Terminal - A	Brass 0.4mm Thick - Silver Plated
7	Shunt Terminal - B	Brass 0.4mm Thick - Silver Plated

## Schematic:



## Part Number Table

Description	Part Number
Connector, RCA/Phono, Jack, 3Way	SPC21352

**Important Notice :** This data sheet and its contents (the "Information") belong to the members of the Premier Farnell group of companies (the "Group") or are licensed to it. No licence is granted for the use of it other than for information purposes in connection with the products to which it relates. No licence of any intellectual property rights is granted. The Information is subject to change without notice and replaces all data sheets previously supplied. The Information supplied is believed to be accurate but the Group assumes no responsibility for its accuracy or completeness, any error in or omission from it or for any use made of it. Users of this data sheet should check for themselves the Information and the suitability of the products for their purpose and not make any assumptions based on information included or omitted. Liability for loss or damage resulting from any reliance on the Information or use of it (including liability resulting from negligence or where the Group was aware of the possibility of such loss or damage arising) is excluded. This will not operate to limit or restrict the Group's liability for death or personal injury resulting from its negligence. Multicomp is the registered trademark of the Group. © Premier Farnell plc 2012.

