

Remote Display/ Programmer

Compatible with all **iSeries**
Meters and Controllers

RD4/RD6



- ✓ 1/8 DIN Panel Cutout or Surface Mount
- ✓ Big LEDs: 21 mm (0.83")
- ✓ Alarm Indicators and Color Change
- ✓ Menu-Selectable Serial Inputs: ASCII RS232, RS485
- ✓ NEMA 4 (IP65) 1/8 DIN Bezel
- ✓ 20 mm (0.80") Behind Panel and Only 39 mm (1.6") Overall

Remote Display

The RD4/RD6 are 4- or 6-digit master/slave displays providing remote readout from instruments such as programmable controllers, digital panel meters, and other instruments with serial outputs. Two communication interfaces are supported in remote display: RS232 and RS485, which can be programmed through front-panel buttons. The RD4/RD6 remote display can be mounted in a 1/8 DIN panel cutout or surface mounted with the included base. The RD4 and RD6 feature big, bright, 21 mm (0.83") and 17.3 mm (0.68") 9-segment LEDs that can be programmed to change color between **GREEN, AMBER,** and **RED** to indicate alarms. Serial connections can be made to an RJ11 jack or screw terminals. In the slave mode, the RD4 and RD6 can be used for displaying alphanumeric characters from a computer. Power is supplied from 10 to 36 Vdc power supply or optional universal (100 - 240 Vac) power adapter. (The compatible host device must have a serial RS232 or RS485 output.)

iSeries change color

At Any
Setpoint



PATENTED

Totally
Programmable
Color Displays



RD4 in 1/8 DIN
panel cutout.

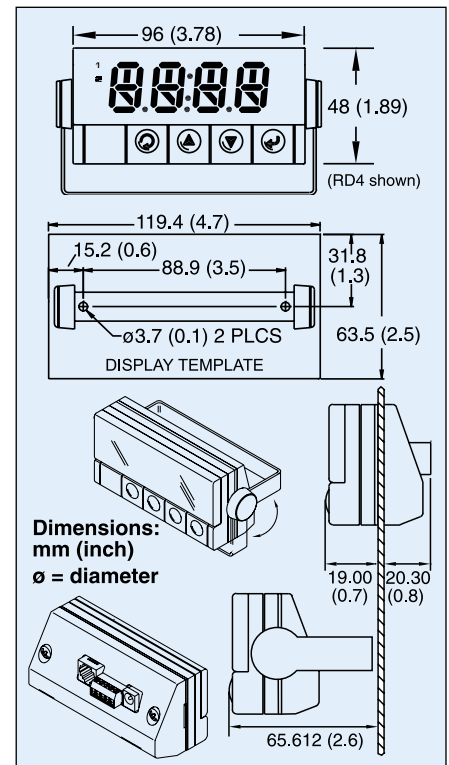
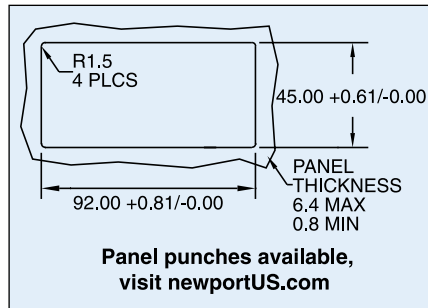
RD6 surface
mount with
included base.

Shown
smaller than
actual size.



Specifications

Serial: ASCII interface RS232/RS485
Baud Rate:
 300, 600, 1200, 2400, 4800, 9600, 19.2K
Data Formats: 7 data/odd parity/1 stop, 7 data/even parity/1 stop, 8 data/no parity/1 stop
Power Requirements: 10 to 36 Vdc, or optional universal adaptor
Nominal Output:
 9 Vdc @ 0.5 A (500 mA)
Input: 100 to 240 Vac, 50/60 Hz
Storage Temperature:
 -20 to 85°C (-4 to 185°F)
Relative Humidity: 0 to 85%
Power Consumption: 2 W
Operating Temperature:
 0 to 50°C (32 to 122°F)
Protection: NEMA 4 (IP65)
Mechanical Dimensions:
 96 x 48 x 39 mm (3.78 x 1.89 x 1.6")
Panel Cutout: 92 x 45 mm (3.622 x 1.772")



To Order Visit newportUS.com/rd4_rd6 for Pricing and Details

Model No.	Description
RD4	4-digit remote display for iSeries monitors and controllers
RD6	6-digit remote display for iSeries monitors and controllers
Options	
UNIV-AC-100/240	Universal ac power adapter. Nominal output: 9 Vdc @ 0.5 A (500 mA), Input: 100-240 Vac, 50/60 Hz

Model No.	Description *Insert 2 or 4 in (*) for LED height
iLD(*)4-C2	4-digit remote display with ethernet, RS232, RS485/422 input**
iLD(*)6-C2	6-digit remote display with ethernet, RS232, RS485/422 input**
iLD(*)4-EI	4-digit remote display with ethernet input**
iLD(*)6-EI	6-digit remote display with ethernet input**

Comes complete with operator's manual.

** See big displays section for complete details on these products.

Ordering Examples: RD4, 4-digit remote display for iSeries monitors and controllers.
 RD6, 6-digit remote display for iSeries meters and controllers.