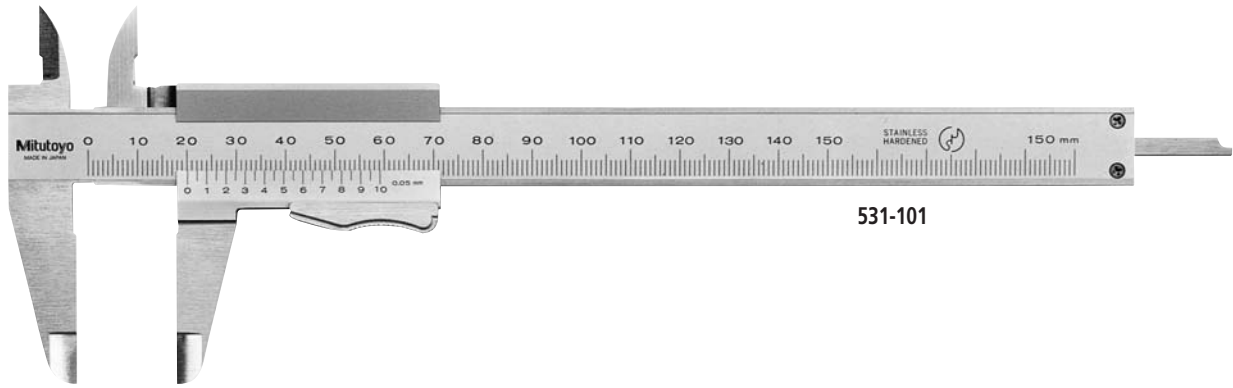


# Vernier Caliper

## SERIES 531 — with Thumb Clamp

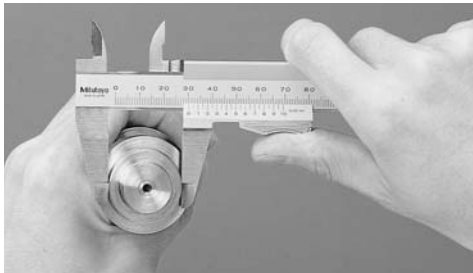


531-101

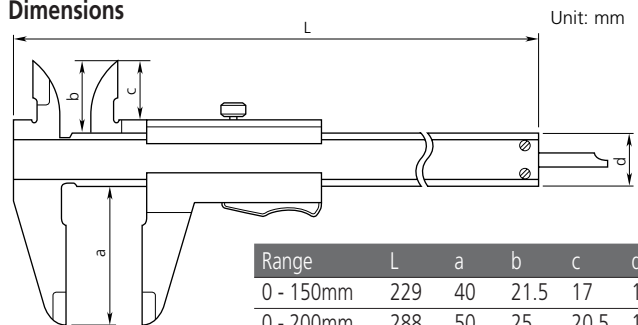
CALIPERS

### FEATURES

- The slider moves only when the spring loaded thumb clamp is depressed.
- Can measure OD, ID, depth, and steps.



### Dimensions



Range	L	a	b	c	d
0 - 150mm	229	40	21.5	17	16
0 - 200mm	288	50	25	20.5	16
0 - 300mm	403	64	27.5	22	20

### SPECIFICATIONS

#### Metric

Range lower scale	Range upper scale	Order No.	Vernier reading (lower scale)	Vernier reading (upper scale)	Accuracy	Remarks
0 - 150mm	—	531-101	0.05mm	—	±0.05mm	With depth bar
		531-140	0.02mm	—	±0.03mm	With depth bar
0 - 200mm	—	531-102	0.05mm	—	±0.05mm	With depth bar
		531-141	0.02mm	—	±0.03mm	With depth bar
0 - 300mm	—	531-103	0.05mm	—	±0.08mm	With depth bar
		531-142	0.02mm	—	±0.04mm	With depth bar

#### Inch

Range lower scale	Range upper scale	Order No.	Vernier reading (lower scale)	Vernier reading (upper scale)	Accuracy	Remarks
0 - 6"	0 - 6"	531-113	.001"	1/128"	±.0015"	With depth bar
0 - 8"	0 - 8"	531-114	.001"	1/128"	±.0015"	With depth bar

#### Metric/Inch

Range lower scale	Range upper scale	Order No.	Vernier reading (lower scale)	Vernier reading (upper scale)	Accuracy	Remarks
0 - 150mm	0 - 6"	531-107	0.05mm	1/128"	±0.05mm	With depth bar
		531-122*	0.05mm	1/128"	±0.05mm	With depth bar
		531-128	0.02mm	.001"	±0.03mm	With depth bar
0 - 200mm	0 - 8"	531-108	0.05mm	1/128"	±0.05mm	With depth bar
		531-129	0.02mm	.001"	±0.03mm	With depth bar
		531-109	0.05mm	1/128"	±0.08mm	With depth bar
0 - 300mm	0 - 12"	531-112	0.02mm	.001"	±0.04mm	With depth bar

\*mm/inch conversion table is labeled on the underside of slider.