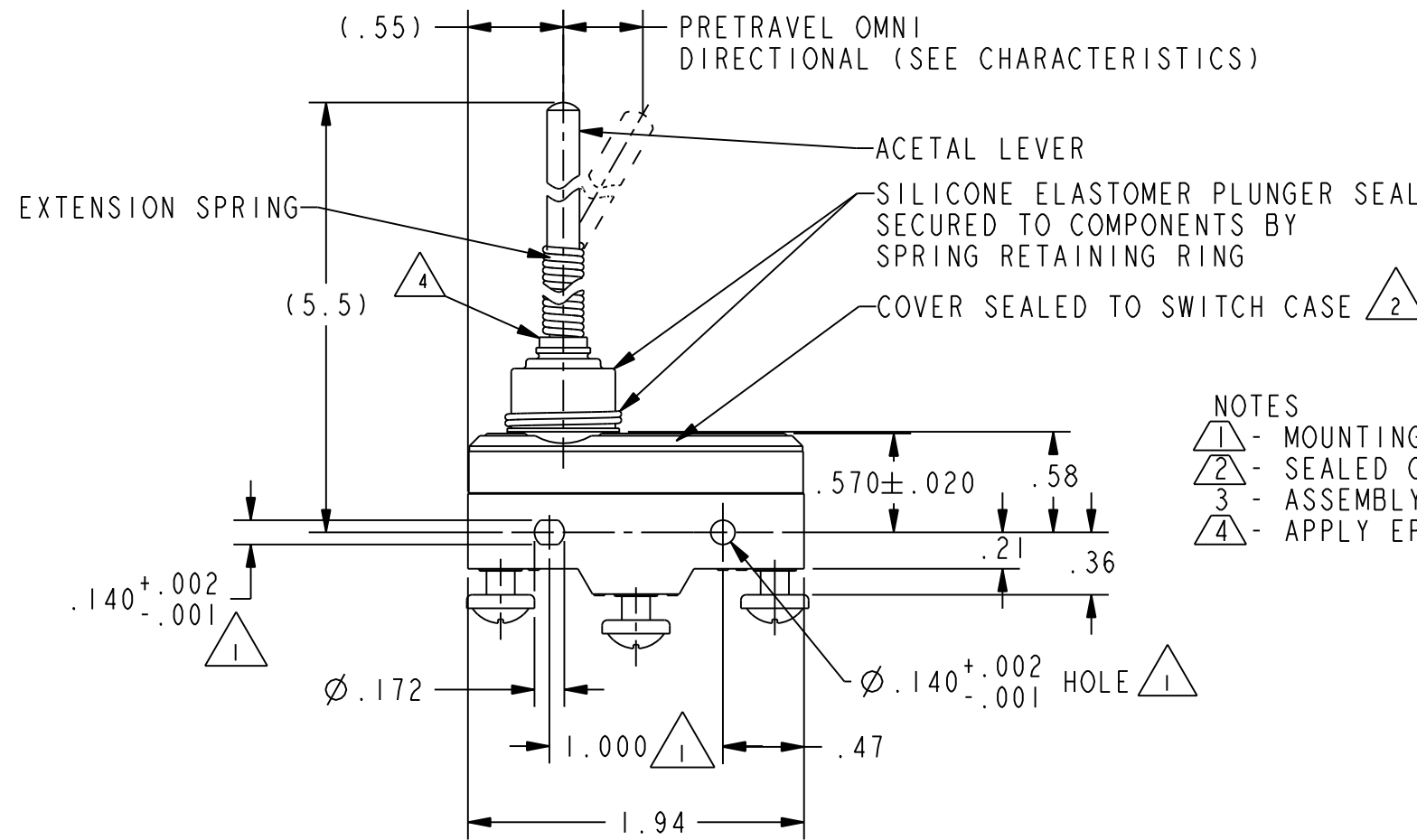
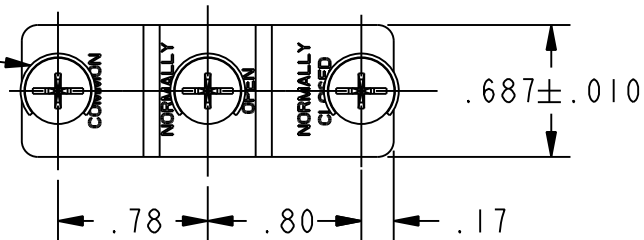


HONEYWELL
PART NUMBER
ALM-9009

REV	DOCUMENT	CHANGED BY	CHECK
A	0013845	NM 21JUN05	-



3X 6-32 UNC X (.219)
BINDING HEAD COMBINATION
TERMINAL SCREW AND
CUPWASHER



REPLACES : XII15960-BZ

CHARACTERISTICS	ELECTRICAL DATA
PRETRAVEL----- .500 REF (OMNI DIRECTIONAL)	CONTACT ARRANGEMENT S P D T
	L96 15A 125, 250 OR 480 VAC 1/8HP 125 VAC, 1/4HP 250 VAC 1/2A 125 VDC, 1/4A 250 VDC
	L288 L299 L306 UL SP CE D 16A 250V ~ T85 5E4

DESIGN UNITS: INCH	DRAWN	NM	01 JUN 05
TOLERANCES UNLESS NOTED:	CHECK	-	-
NO PLACE X ±	THIS DRAWING COVERS A PROPRIETARY ITEM AND IS THE PROPERTY OF HONEYWELL. THIS DRAWING IS NOT TO BE COPIED OR USED WITHOUT THE PERMISSION OF HONEYWELL.		
ONE PLACE .X ±			
TWO PLACE .XX ±			
THREE PLACE .XXX ±			
FOUR PLACE .XXXX ±			
ANGLES X ±	INTERPRET PER ASME Y14.5M-1994 OTHER HONEYWELL ENGINEERING STANDARDS MAY APPLY		
THIRD ANGLE PROJECTION	Pro/ENGINEER	3D	SCALE -

Honeywell			
TITLE SWITCH BASIC			
SIZE	TYPE	DRAWING NAME	REV
B	E	BZ-2RQW15-A2	A
SHEET		1 OF 1	