

Technical Data

IR lens, 76 mm (6°) with case and mounting support for T/B-200/400

Part number:

T197408

Copyright

© 2014, FLIR Systems, Inc.

All rights reserved worldwide. Names and marks appearing herein are either registered trademarks or trademarks of FLIR Systems and/or its subsidiaries. All other trademarks, trade names or company names referenced herein are used for identification only and are the property of their respective owners.

March 31, 2014, 08:58 PM

Corporate Headquarters

FLIR Systems, Inc.
27700 SW Parkway Ave.
Wilsonville, OR 97070
USA
Telephone: +1-503-498-3547

Website

<http://www.flir.com>

Customer support

<http://support.flir.com>

Legal disclaimer

Specifications subject to change without further notice. Camera models and accessories subject to regional market considerations. License procedures may apply.

Information and equipment described herein may require US Government authorization for export purposes. Diversion contrary to US law is prohibited.



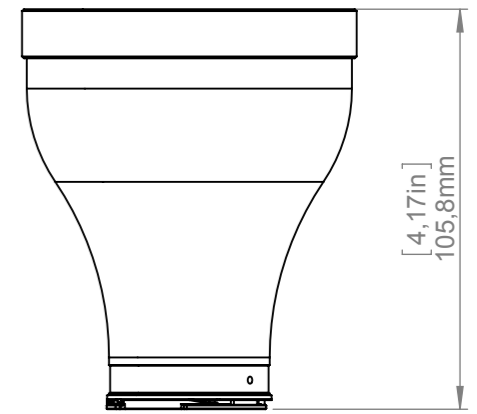
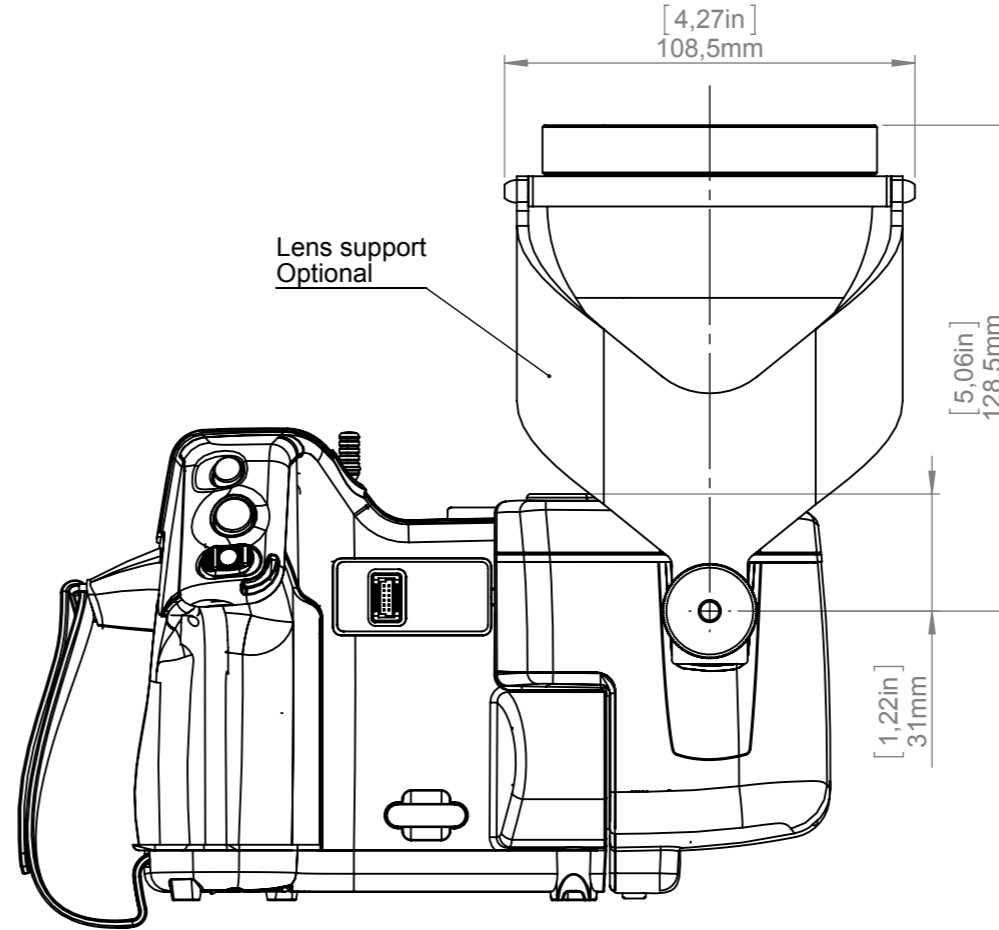
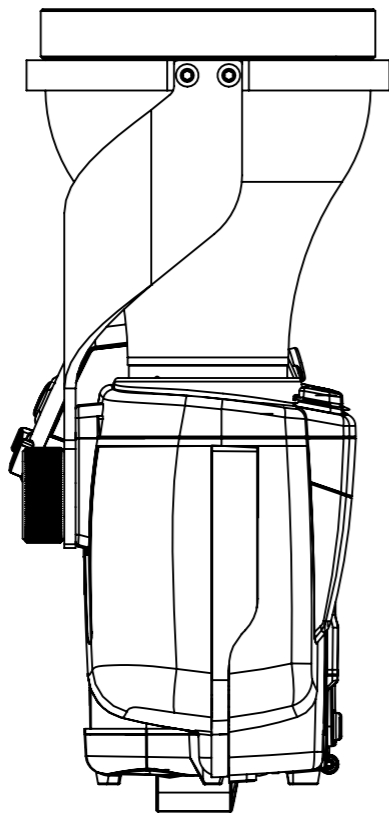
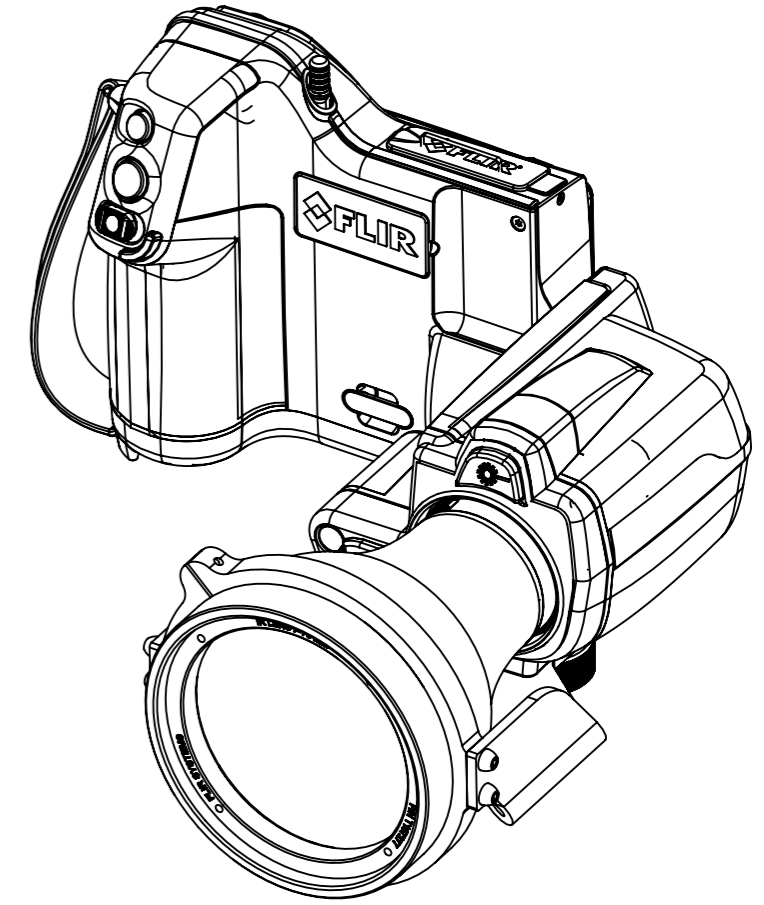
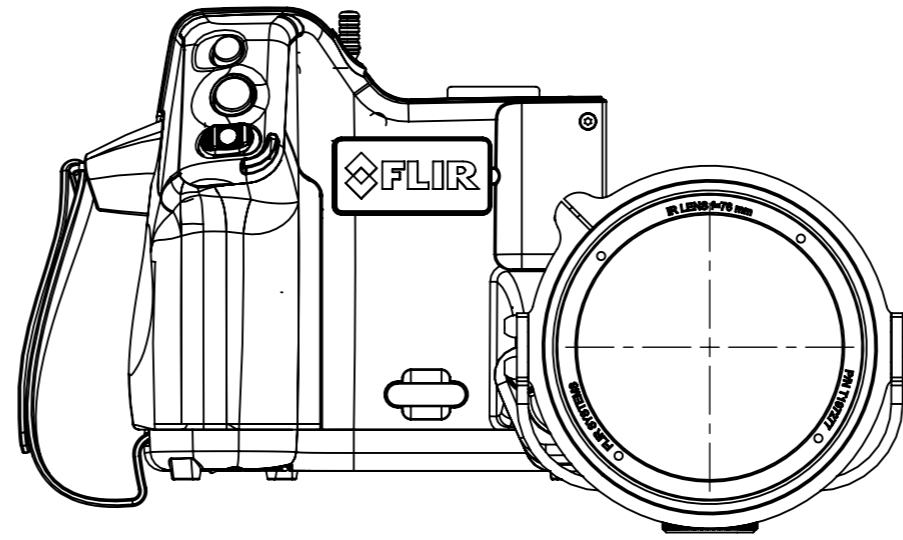
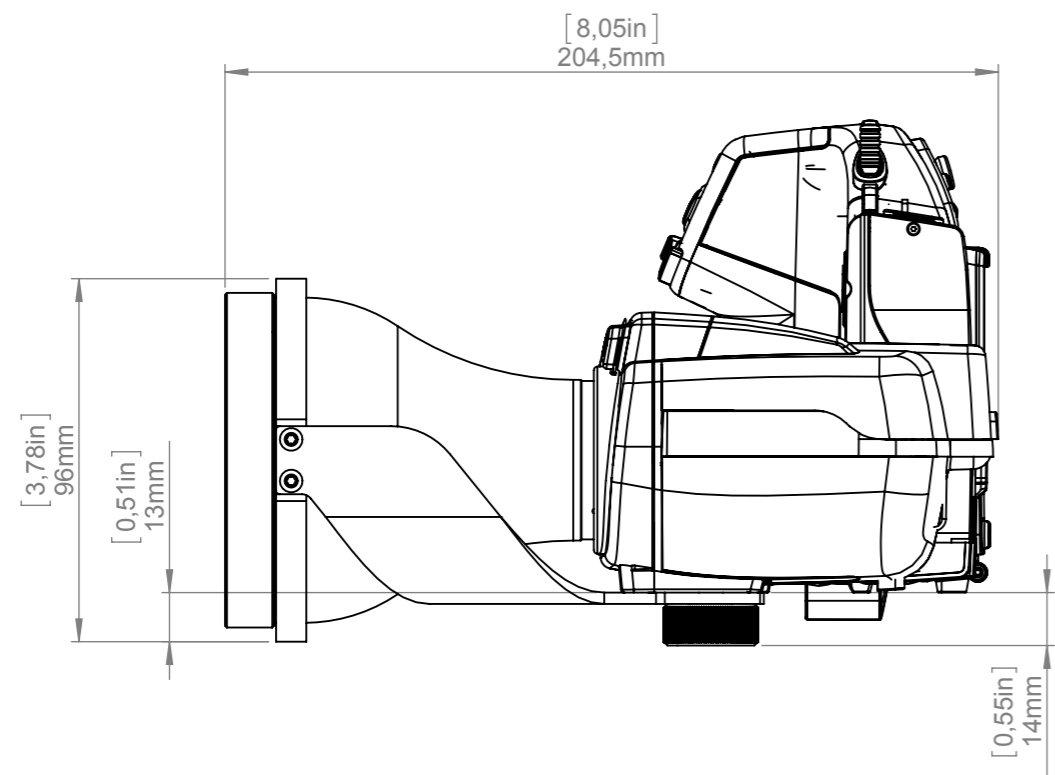
Licensing and classification

Field of view (FOV)	6° × 4.5°
Minimum focus distance	4 m (13.11 ft.)
Focal length	76 mm (3.0 in.)
Spatial resolution (IFOV)	Depends on the IR resolution of the camera: 0.66 mrad for 160 × 120 pixels 0.53 mrad for 200 × 150 pixels 0.44 mrad for 240 × 180 pixels 0.33 mrad for 320 × 240 pixels
F-number	1.3
Number of lenses	3 (3 asph)
MTF @ 70% of FOV	Normal requirements (52%)
Distortion	3%
Weight	Lens: 0.328 kg (0.723 lb.) Support: 0.099 kg (0.218 lb.)
Size (L × D)	106 × 89 mm (4.17 × 3.48 in.), excluding support

Shipping information

<ul style="list-style-type: none"> • Lens • Lens case • Mounting support 	
Packaging, weight	1.211 kg
Packaging, size	385 x 308 x 165 mm
EAN-13	7332558004524
UPC-12	845188004491

Camera with Lens IR f=76 mm (6°) incl support

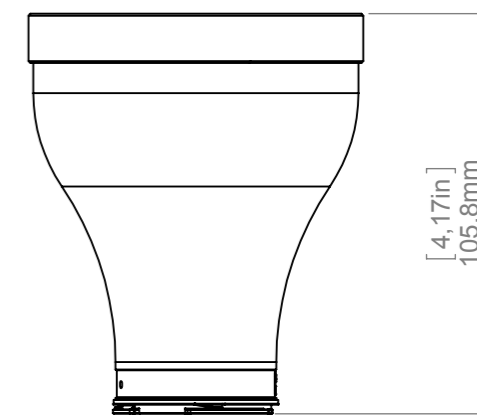
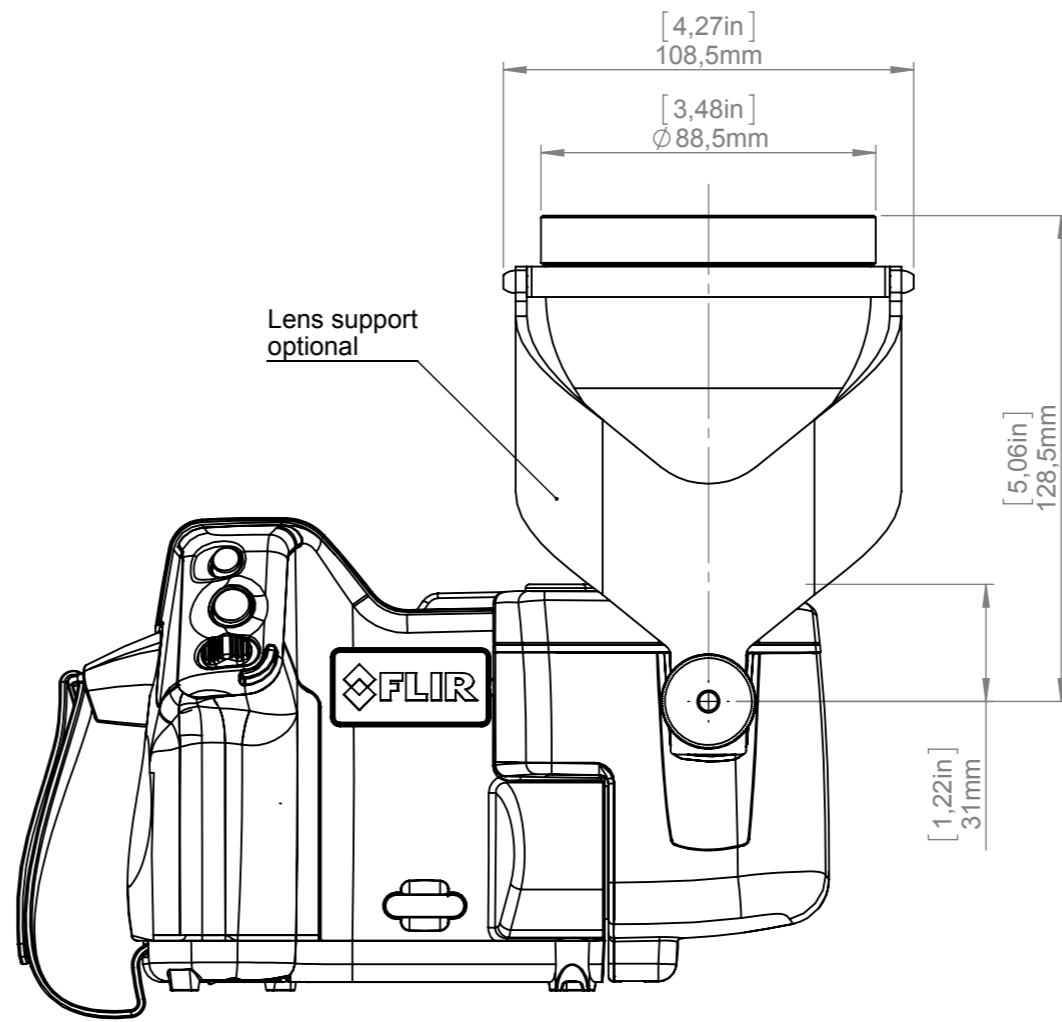
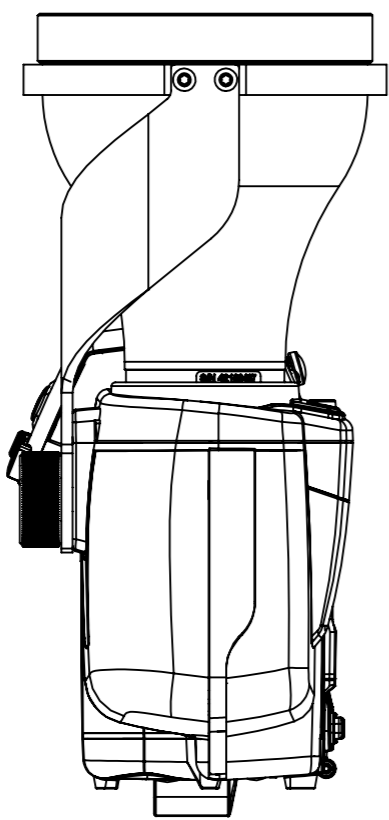
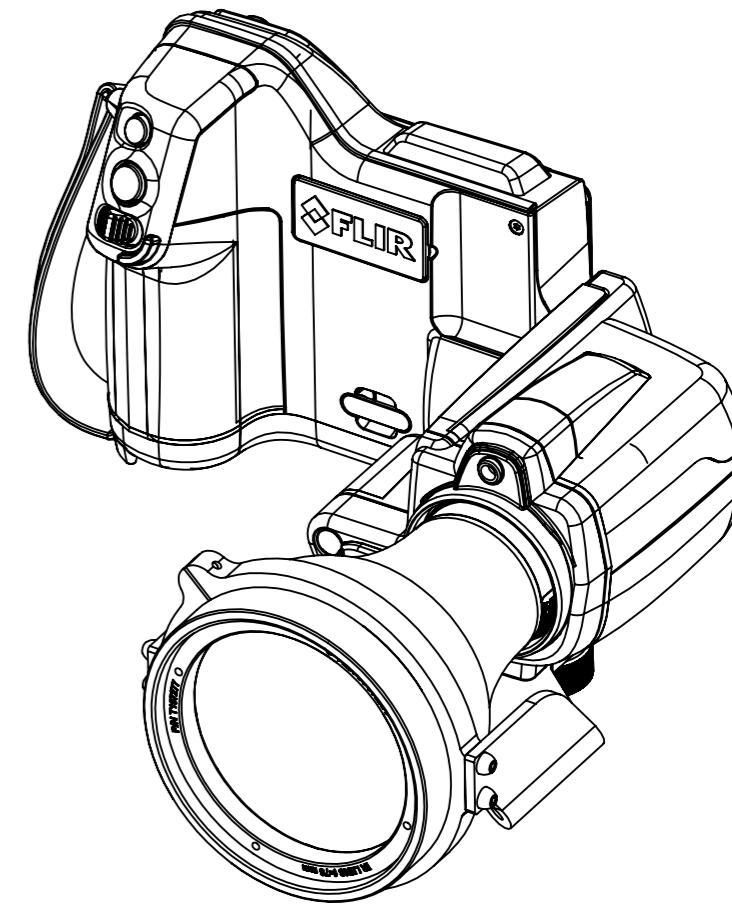
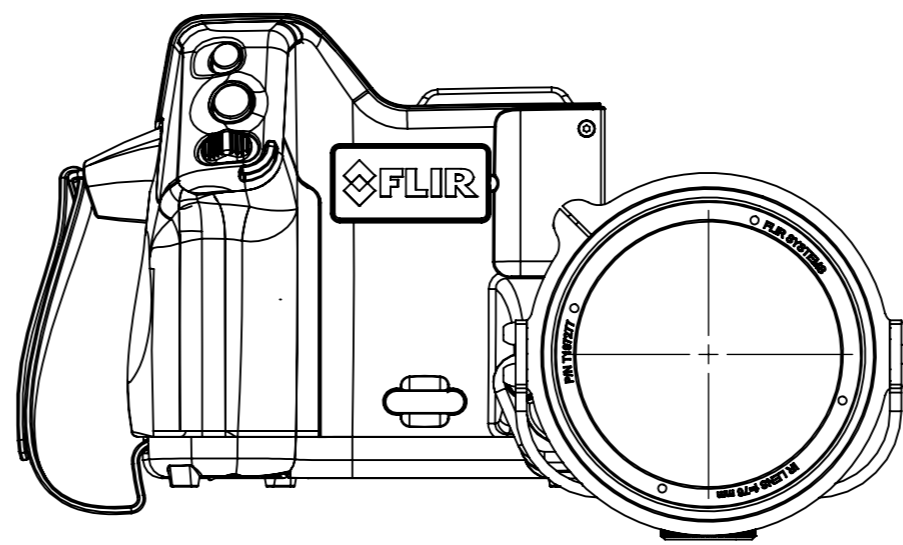
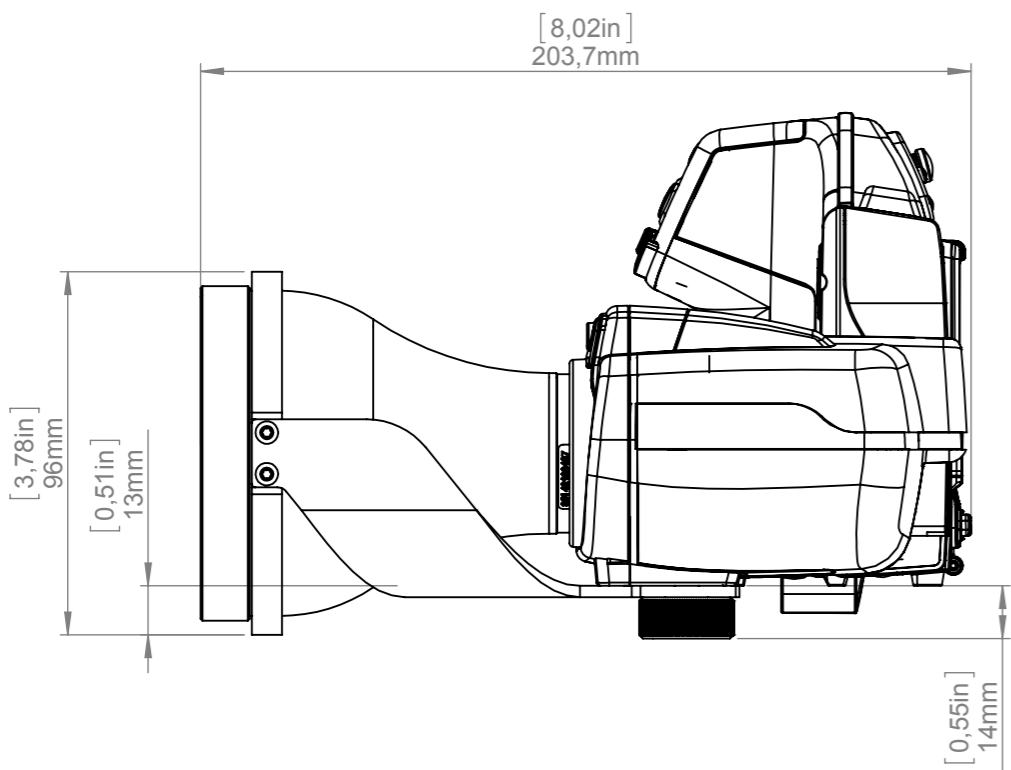


For additional dimensions see page 1

Modified 2012-04-18	Check CAHA	Drawn by R&D Thermography	
Denomination			
Basic dimensions FLIR Txxx/Bxxx			Scale 1:2
Drawing No. T197905			Sheet 5(7)
			Size B

© 2012 FLIR Systems, Inc. All rights reserved worldwide. No part of this drawing may be reproduced, stored in a retrieval system, or transmitted in any form, or by any means, electronic, mechanical, photocopying, recording, or otherwise without written permission from FLIR Systems, Inc. Specifications subject to change without further notice. Dimensional data is based on nominal values. Products may be subject to regional market considerations. License procedures may apply. Product may be subject to US Export Regulations. Please refer to exportquestions@flir.com with any questions. Diversion contrary to US law is prohibited.

Camera with Lens IR f=76 mm (6°) incl support



© 2012 FLIR Systems, Inc. All rights reserved worldwide. No part of this drawing may be reproduced, stored in a retrieval system, or transmitted in any form, or by any means, electronic, mechanical, photocopying, recording, or otherwise without written permission from FLIR Systems, Inc. Specifications subject to change without further notice. Dimensional data is based on nominal values. Products may be subject to regional market considerations. License procedures may apply. Product may be subject to US Export Regulations. Please refer to exportquestions@flir.com with any questions. Diversion contrary to US law is prohibited.

Modified 2012-06-07	Check JOTA	Drawn by R&D Thermography	
Denomination			
Basic Dimensions FLIR T4xx			Size A3
			Scale 1:2
Drawing No. T127604		Sheet 5(7)	Size A