

# Round Style Analog Panel Meters



- Glass window for optimum viewing
- Rugged black plastic case
- Black spade-type pointer for easy distant reading

## Specifications

**Accuracy:** ±2% F.S. (Iron-Vane), ±3% F.S. (Rectifier)  
**Frequency models:** 45-55Hz ±0.3Hz (120V-240V)  
 55-65Hz ±0.3Hz (120V-240V)  
 380-420Hz ±1.2Hz (120V-240V)

**Wattmeters:** ±2% F.S.; Compensated Meters: ±3% F.S.

**Movement:** Models 55, 155: Iron-vane, magnetically damped  
 Models 45, 145: Annular, rectifier type  
 Models 85 & 185: small core magnet, self-shielding  
 Models 25, 27, 29, 125: Annular, self-shielding

**Tracking:** ±3%  
**Shielding:** Calibration is unaffected by magnetic panel mounting.  
**Response Time:** 1.5 seconds maximum  
**Overload (1 sec.):** 10 times F. S.  
**Overload (Continuous):** 1.5 times F. S.  
**Repeatability:** 2%  
**Dial:** Sharp clear scale. Each dial arc is calibrated to track the specific type of movement used.  
**Case:** High density black plastic  
**Resistance:** ±15%  
**Operating Temp:** -4°F to +149°F (-20°C to +65°C)  
**Pointer:** Models 85 & 185: knife edge, black finish  
 All others: spade pointer with black matte finish  
**Scale Length:** Model 155 & 185: 1.6" (40.6mm)  
 Models 125 & 145: 1.8" (45.7mm)  
 Model 55: 2.3" (58.4mm)  
 Models 25, 27, 45 & 85: 2.5" (63.5mm)  
 Model 29: 3.80" (96.5mm)  
**Net Weight:** Models 55, 155 & 185: 5oz (0.14kg)  
 Models 85, 125, 145 & 45: 7oz (0.20kg)  
 Models 25 & 27: 8oz (.23kg)  
 Model 29: 11oz. (.31kg)

## Ordering Information

### AC Microammeters Rectifier Type, Self Shielding Movement

Range	Approx. Impedance (ohms)	Model/Size and Catalog Number	
		3-1/2" Model 45	
0-100	3400	04080	

### AC Milliammeters, Iron Vane & Rectified Movement

Range	Approx. Impedance (ohms) @ 60 Hz	Model/Size and Catalog Number		
		2-1/2" Model 155	3-1/2" Model 55	4-1/2" Model 45
0-1	600	<>	<>	06820*
0-5	200	<>	<>	06840*
0-10	887.0	<>	05380	<>
0-15	80.0	<>	05400	<>
0-100	717.2	<>	05410	<>
0-150	8.76	<>	35069	<>
0-250	3.1	06080	05420	<>
0-500	.9	<>	05430	<>

\* Rectified Models

### AC Ammeters, Iron Vane Movement

Range	Approx. Impedance (ohms) @ 60 Hz	Model/Size and Catalog Number	
		2-1/2" Model 155	3-1/2" Model 55
0-1	.213	02100	00950
0-1.5	.105	<>	00960
0-2	.065	02120	00970
0-3	.028	02130	00980
0-5	.008	02140	00990
0-10	.004	02150	01001
0-15	.0025	02160	01010
0-25	.002	02170	01020
0-30	.0015	02180	01030
0-50	.001	02190	01040
0-75	.0002	<>	03432
0-75	.008	02200*	<>
0-100	.008	02210*	01060*
0-150	.008	02220*	01070*
0-200	.008	<>	01080*
0-250	.008	02240*	01090*
0-300	.008	<>	01100*
0-500	.008	02260*	01110*

<> Available on special order.

\* These meters require use of an external current transformer from page C4-C6

### 4-20mA Process Meters, Dial indicates 0-100 Percent

Range	Approx. Impedance (Ohms)	Model/Size and Catalog number
4-20	5.0	35022

more >>



# Round Style Analog Panel Meters

## Ordering Information

### AC Voltmeters, Iron Vane Movement

Range	Approx. Impedance (Ohms) @ 60 Hz	Model/Size and Catalog Number	
		2-1/2" Model 155	3-1/2" Model 55
0-5	33	<>	08410
0-10	133	<>	08420
0-15	300	<>	08430
0-25	833	<>	08440
0-50	3,333	09290	08450
0-100	16,166	<>	08460
0-150	25,000	09310	08470
0-250	41,166	09320	08480
0-300	50,000	09330	08490
0-500	83,333	09340*	08500*
0-750	125,000	<>	08510*

\* External multipliers (model 183) are furnished on AC meters having a range of 500 volts or higher.

<> Available on special order

### AC Volt Meters Rectifier Type, Self Shielding Movement

Range	Approx. Impedance (ohms) @ 60 Hz	Model/Size and Catalog Number	
		3-1/2" Model 45	
0-150	300K	08010	

### DC Microammeters, Self Shielding Movement

Range	Approx. Impedance (ohms) @ 60 Hz	Model/Size and Catalog Number	
		2-1/2" Model 125	3-1/2" Model 25
0-50	1800	04210	03760
0-100	1800	04220	03770
0-200	1100	04230	03780
0-500	90	04240	03790
50-0-50	1800	04194	03810
100-0-100	1100	04196	03820
500-0-500	43	<>	03830

<> Available on special order

### DC Taut-Band Microammeters, Self-Shielding Movement

Range	Approx. Impedance(ohms) @ 60 Hz	Model/Size and Catalog Number	
		2-1/2" Model 125T	3-1/2" Model 25T
0-10	4900	04197	<>
0-15	1960	<>	03741
0-25	1960	04201	03751
0-50	960	<>	03761
0-100	500	<>	03771

<> Available on special order

### DC Milliammeters, Self Shielding Movement

Range	Approx. Impedance (ohms) @ 60 Hz	Model/Size and Catalog Number	
		2-1/2" Model 125	3-1/2" Model 25
0-1	43.0	05580	04610
0-1.5	43.0	<>	04620
0-5	2.0	05610	04640
0-10	10.0	05620	04650
0-15	6.6	05630	04660
0-25	4.0	05650	04680
0-50	2.0	<>	04690
0-75	1.3	05670	<>
0-100	1.0	05680	04710
0-150	.66	05690	04720
0-200	.5	05700	04730
0-250	.5	05710	<>
0-300	.33	<>	04750
0-500	.2	05730	04760
0-1000	.05	<>	04780

<> Available on special order.

### Wattmeters - Dynamometer Type

Range	Maximum		Model/Size and Catalog Number	
	Volts	Amps	3-1/2" Model 75	
0-300	150	4.0	10600	

### DC Ammeters, Self Shielding Movement

Range	Approx. Impedance (Ohms) @ 60 Hz	Model/Size and Catalog Number	
		2-1/2" Model 125	3-1/2" Model 25
0-1	.050	01460	00005
0-2	.025	<>	00030
0-3	.0166	01490	00040
0-5	.010	01500	00050
0-10	.005	01510	00060
0-15	.0033	01520	00070
0-25	.002	01530	00080
0-30	.0017	01540	00090
0-50	.001	01550	00099
0-75	10.0	01560*	00110*
0-100	10.0	01570*	00120*
0-150	10.0	01580*	00130*
0-200	10.0	01590*	00140*
0-250	10.0	<>	00151*
0-300	10.0	01610*	00160*
0-500	10.0	01620	00170*
0-750	10.0	<>	00177*
0-1000	10.0	<>	00188*
15-0-15	.0033	<>	00200
30-0-30	.0017	01660	00210
50-0-50	.001	016670	00220
75-0-75	20.0	35066	35037*

\* DC current meters are self-contained for ranges up to and including 50 amperes. Higher range DC current meters (50 mV) listed above are calibrated for 5' leads and require external shunts.

<> Available on special order.

### DC Millivoltmeters, Self Shielding Movement

Range	Approx. Impedance (ohms) @ 60 Hz	Model/Size and Catalog Number	
		2-1/2" Model 125	3-1/2" Model 25
0-50	10.0	06970	06910
0-100	20.0	<>	35093

<> Available on special order.

### DC Voltmeters, Self Shielding Movement

Range	Approx. Impedance (Ohms) @ 60 Hz	Model/Size and Catalog Number	
		2-1/2" Model 125	3-1/2" Model 25
0-1.5		08850	<>
0-3		<>	07070
0-5		08870	07080
0-10		08890	07100
0-15	1000	08900	07110
0-25	Ohms	08910	07120
0-30	Per Volt	08920	07130
0-50		08930	07140
0-100		08940	07150
0-150		08950	07160
0-200		08960	07170
0-250		08970	07180
0-300		<>	07190
0-500		<>	07200
0-750		<>	07210
0-1000	2000	<>	07220*
0-2000	Per Volt	<>	07240*
0-3000		<>	07260*
0-5000		<>	07280*

\*External multipliers, Model 183, are furnished on 2-1/2" DC meters 750 volts or higher.

<> Available on special order.

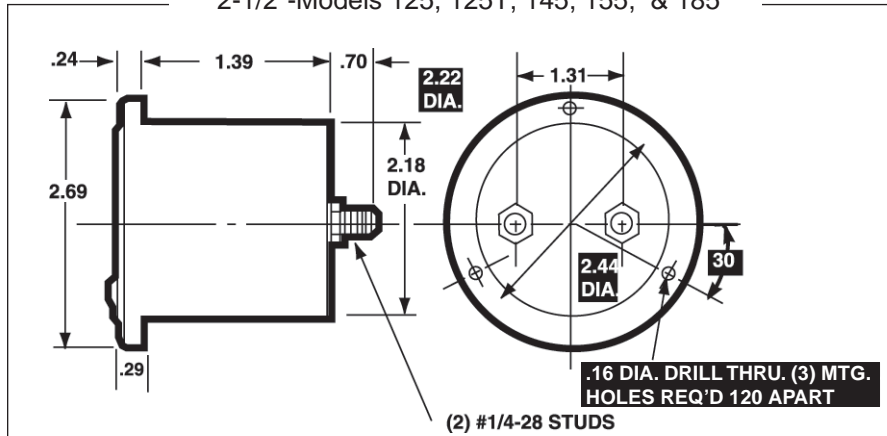
### Frequency Meters, Self-Shielding Movement

Range	Voltage	Model/Size and Catalog Number	
		2-1/2" Model 185	3-1/2" Model 85
45-55 Hz	120V	35154	35160
55-65 Hz	120V	35156	35162
380-420 Hz	120V	35158	35164
45-55 Hz	240V	35155	35161
55-65 Hz	240V	35157	35163
380-420 Hz	240V	35159	35165

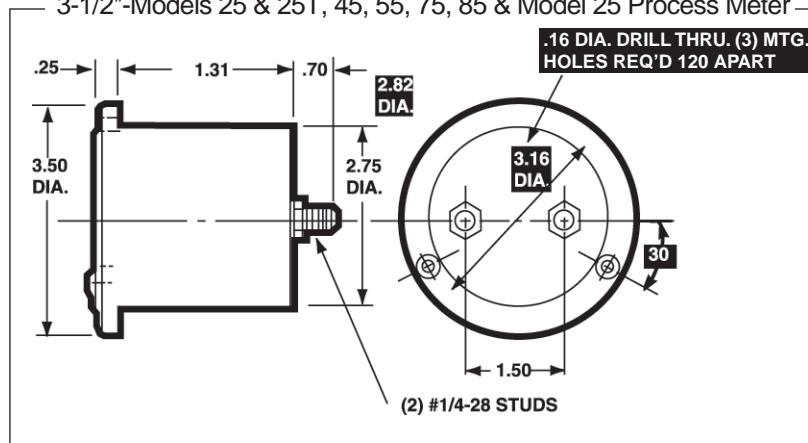
# Round Style Analog Panel Meters



2-1/2"-Models 125, 125T, 145, 155, & 185



3-1/2"-Models 25 & 25T, 45, 55, 75, 85 & Model 25 Process Meter



1 = Panel Meter Cut-out Dimensions

NOTE: "T" model suffix used for Taut-Band movement

3-1/2"-Model 75

