

SANMOTION

New Product Information

IP65 splash proof & dust resistant 2-phase Stepping Motor F2

SANYO DENKI EUROPE SA. is pleased to introduce its new IP65 splash proof and dust resistant 2-phase stepping motors «SANMOTION F2 - SP» serie, measuring 56 & 86mm square. These motors have been designed to be safely used for applications that operate in harsh or wet environment such as food processing machines or solar panels.



56mm

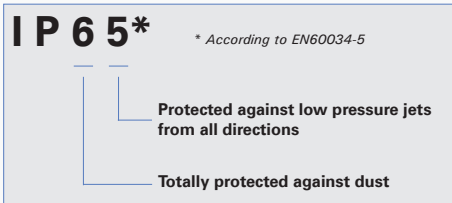
86mm



MAIN FEATURES

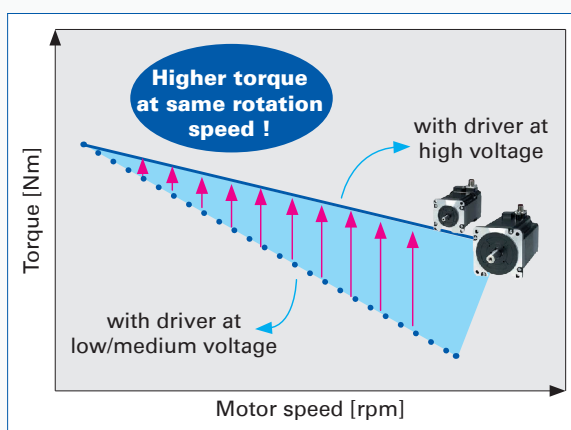
1 Splash proof and dust resistance - IP65 Class

A good protection against dust and water allows safely use for applications that are operated in harsh or wet environment.



2 High insulation voltage

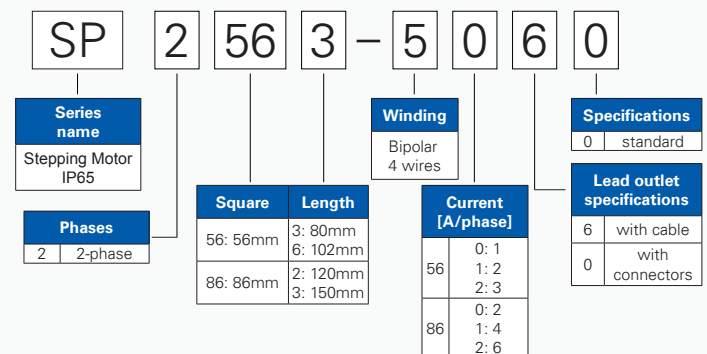
With a maximum input voltage of AC 250V, these motors can be combined with high voltage drivers, providing stronger torques with high gains on the dynamic of the applications.



3 Various Options

- Cable output or waterproof connectors (M12 size)
- Holding brake DC 24V
- Encoder 500PPR - 3 channels - Open collector
- Output shaft with or without oil seal

HOW TO READ MODEL NUMBER (*)



* Contact us for available model numbers and options

COMMON SPECIFICATIONS

Specifications	SP Serie
Basic step angle	1.8°
Winding type	bipolar
Driver input voltage	AC 250V max
Protection	IP65
Insulation class	F (155°C)
Standards	CE, UL and CSA

TARGET APPLICATIONS

Harsh or wet environments, solar panels, food processing machines, factory automation.

SPECIFICATIONS (motor without any option)

56mm 1.8° / Step Bipolar winding

Model No.		Square size [mm]	Holding torque [Nm MIN.]	Rated current [A/phase]	Winding resistance [Ω /phase]	Winding inductance [mH/phase]	Rotor inertia [$\times 10^{-4}$ kg.m ²]	Mass [kg]
With cable	With connector							
SP2563-5060	SP2563-5000	56	1.0	1	5.7	29	0.21	0.9
SP2563-5160	SP2563-5100	56	1.0	2	1.5	7.3	0.21	0.9
SP2563-5260	SP2563-5200	56	1.0	3	0.7	3.4	0.21	0.9
SP2566-5060	SP2566-5000	56	1.7	1	7.7	35.4	0.36	1.2
SP2566-5160	SP2566-5100	56	1.7	2	2.0	9.2	0.36	1.2
SP2566-5260	SP2566-5200	56	1.7	3	0.94	4.4	0.36	1.2

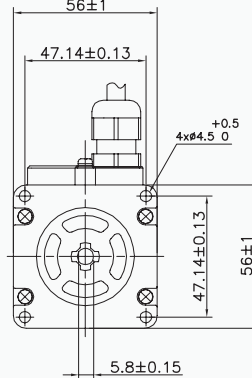
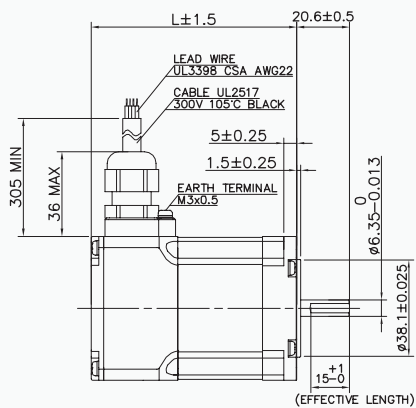
86mm 1.8° / Step Bipolar winding

Model No.		Square size [mm]	Holding torque [Nm MIN.]	Rated current [A/phase]	Winding resistance [Ω /phase]	Winding inductance [mH/phase]	Rotor inertia [$\times 10^{-4}$ kg.m ²]	Mass [kg]
With cable	With connector							
SP2862-5060	SP2862-5000	86	6.4	2	3.2	25.0	3.0	3.1
SP2862-5160	SP2862-5100	86	6.4	4	0.83	6.4	3.0	3.1
SP2862-5260	-	86	6.4	6	0.36	2.8	3.0	3.1
SP2863-5060	SP2863-5000	86	9.0	2	4.0	32.0	4.5	4.2
SP2863-5160	SP2863-5100	86	9.0	4	1.0	7.9	4.5	4.2
SP2863-5260	-	86	9.0	6	0.46	3.8	4.5	4.2

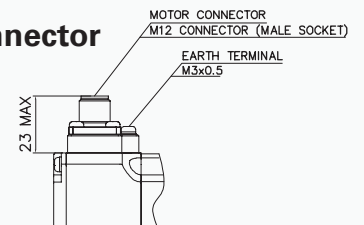
DIMENSIONS [unit: mm]

56mm

With cable



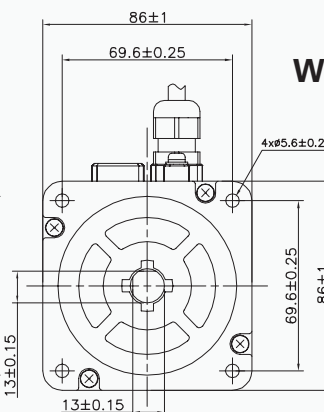
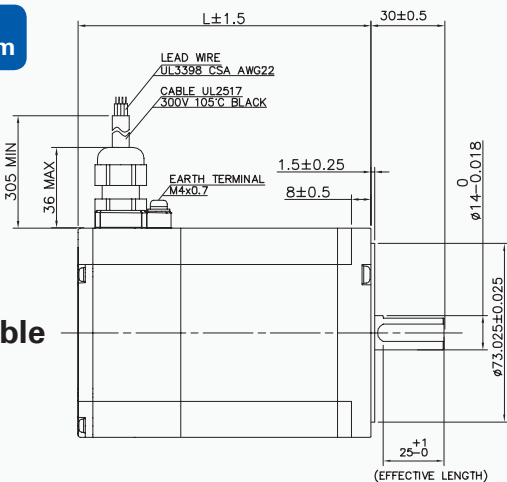
With connector



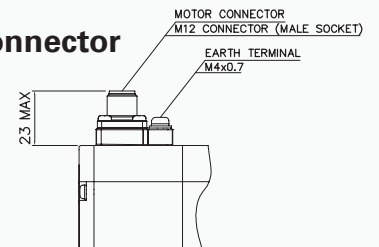
Model No.		L [mm]
with cable	with connector	
SP2563-5x60	SP2563-5x00	80
SP2866-5x60	SP2566-5x00	102

86mm

With cable



With connector



Model No.		L [mm]
with cable	with connector	
SP2862-5x60	SP2862-5x00	120
SP2863-5x60	SP2863-5x00	150

For further information on Sanyo Denki «SANMOTION F2 - SP serie», please contact us at +33 1 48 63 26 61 or email us at info@sanyodenki.eu.

SANYO DENKI EUROPE SA.

P.A. PARIS NORD II 48 Allée des Erables-VILLEPINTE BP. 57286 F-95958 ROISSY CDG CEDEX France

<http://www.sanyodenki.eu>

Phone : + 33 1 48 63 26 61

NPI0067_RevA_en