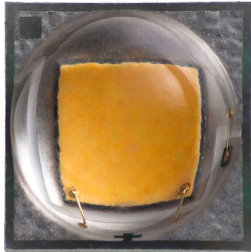


# Cree® XLamp® XP-G2 LEDs



## PRODUCT DESCRIPTION

The XLamp® XP-G2 LED builds on the unprecedented performance of the original XP-G by increasing lumen output up to 20% while providing a single die LED point source for precise optical control. The XP-G2 LED shares the same footprint as the original XP-G, providing a seamless upgrade path and shortening the design cycle.

XLamp XP-G2 LEDs are the ideal choice for lighting applications where high light output and maximum efficacy are required, such as LED light bulbs, outdoor lighting, portable lighting, indoor lighting and solar-powered lighting.

## FEATURES

- Available in white, outdoor white and 80-, 85- and 90-CRI white
- ANSI-compatible chromaticity bins
- Binned at 85 °C
- Maximum drive current: 1500 mA
- Low thermal resistance: 4 °C/W
- Wide viewing angle: 115°
- Unlimited floor life at ≤ 30 °C/85% RH
- Reflow solderable - JEDEC J-STD-020C
- Electrically neutral thermal path
- RoHS- and REACH-compliant
- UL-recognized component (E349212)

## TABLE OF CONTENTS

Characteristics .....	2
Flux Characteristics.....	3
Relative Spectral Power Distribution.....	5
Relative Flux vs. Junction Temperature .....	5
Electrical Characteristics .....	6
Relative Flux vs. Current .....	6
Relative Chromaticity vs Current and Temperature .....	7
Typical Spatial Distribution.....	8
Thermal Design .....	8
Reflow Soldering Characteristics ..	9
Notes.....	10
Mechanical Dimensions.....	11
Tape and Reel .....	12
Packaging.....	13



**CHARACTERISTICS**

Characteristics	Unit	Minimum	Typical	Maximum
Thermal resistance, junction to solder point	°C/W		4	
Viewing angle (FWHM)	degrees		115	
Temperature coefficient of voltage	mV/°C		-1.8	
ESD withstand voltage (HBM per Mil-Std-883D)	V			8000
DC forward current	mA			1500
Reverse voltage	V			5
Forward voltage (@ 350 mA, 85 °C)	V		2.8	3.15
Forward voltage (@ 700 mA, 85 °C)	V		2.9	
Forward voltage (@ 1000 mA, 85 °C)	V		3.0	
Forward voltage (@ 1500 mA, 85 °C)	V		3.1	
LED junction temperature	°C			150

## FLUX CHARACTERISTICS (T<sub>j</sub> = 85 °C)

The following table provides several base order codes for XLamp XP-G2 LEDs. It is important to note that the base order codes listed here are a subset of the total available order codes for the product family.

Color	CCT Range		Base Order Codes Min. Luminous Flux @ 350 mA			Calculated Minimum Luminous Flux (lm)** @ 85 °C			Order Code
	Min.	Max.	Group	Flux (lm) @ 85 °C	Flux (lm) @ 25 °C*	700 mA	1.0 A	1.5 A	
Cool White	5000 K	8300 K	R3	122	138	223	297	402	XPGBWT-L1-0000-00F51
			R4	130	147	237	316	429	XPGBWT-L1-0000-00G51
			R5	139	158	254	338	458	XPGBWT-L1-0000-00H51
			S2	148	168	271	360	488	XPGBWT-L1-0000-00J51
Outdoor White	3200 K	5300 K	R2	114	129	208	277	376	XPGBWT-01-0000-00EC2
			R3	122	138	223	297	402	XPGBWT-01-0000-00FC2
			R4	130	147	237	316	429	XPGBWT-01-0000-00GC2
			R5	139	158	254	338	458	XPGBWT-01-0000-00HC2
Neutral White	3700 K	5300 K	Q5	107	121	195	260	353	XPGBWT-L1-0000-00DE4
			R2	114	129	208	277	376	XPGBWT-L1-0000-00EE4
			R3	122	138	223	297	402	XPGBWT-L1-0000-00FE4
			R4	130	147	237	316	429	XPGBWT-L1-0000-00GE4
80-CRI White	2600 K	4300 K	Q4	100	113	182	243	330	XPGBWT-H1-0000-00CE7
			Q5	107	121	195	260	353	XPGBWT-H1-0000-00DE7
			R2	114	129	208	277	376	XPGBWT-H1-0000-00EE7
			R3	122	138	223	297	402	XPGBWT-H1-0000-00FE7
			R4	130	147	237	316	429	XPGBWT-H1-0000-00GE7
Warm White	2600 K	3700 K	Q4	100	113	182	243	330	XPGBWT-L1-0000-00CE7
			Q5	107	121	195	260	353	XPGBWT-L1-0000-00DE7
			R2	114	129	208	277	376	XPGBWT-L1-0000-00EE7
			R3	122	138	223	297	402	XPGBWT-L1-0000-00FE7
			R4	130	147	237	316	429	XPGBWT-L1-0000-00GE7

**Notes:**

- Cree maintains a tolerance of ±7% on flux and power measurements, ±0.005 on chromaticity (CCx, CCy) measurements and ±2 on CRI measurements.
  - Typical CRI for Cool White (5000 K - 8300 K CCT) is 70.
  - Typical CRI for Neutral White (3700 K - 5300 K CCT) is 75.
  - Typical CRI for Outdoor White (4000 K - 5300 K CCT) is 70.
  - Typical CRI for Warm White (2600 K - 3700 K CCT) is 80.
  - Flux values @ 25 °C are calculated and for reference only.
  - Minimum CRI for 80-CRI White is 80.
  - Minimum CRI for 85-CRI White is 85.
  - Minimum CRI for 90-CRI White is 90.
- \*\* Calculated flux values at 700 mA, 1 A and 1.5 A are for reference only.

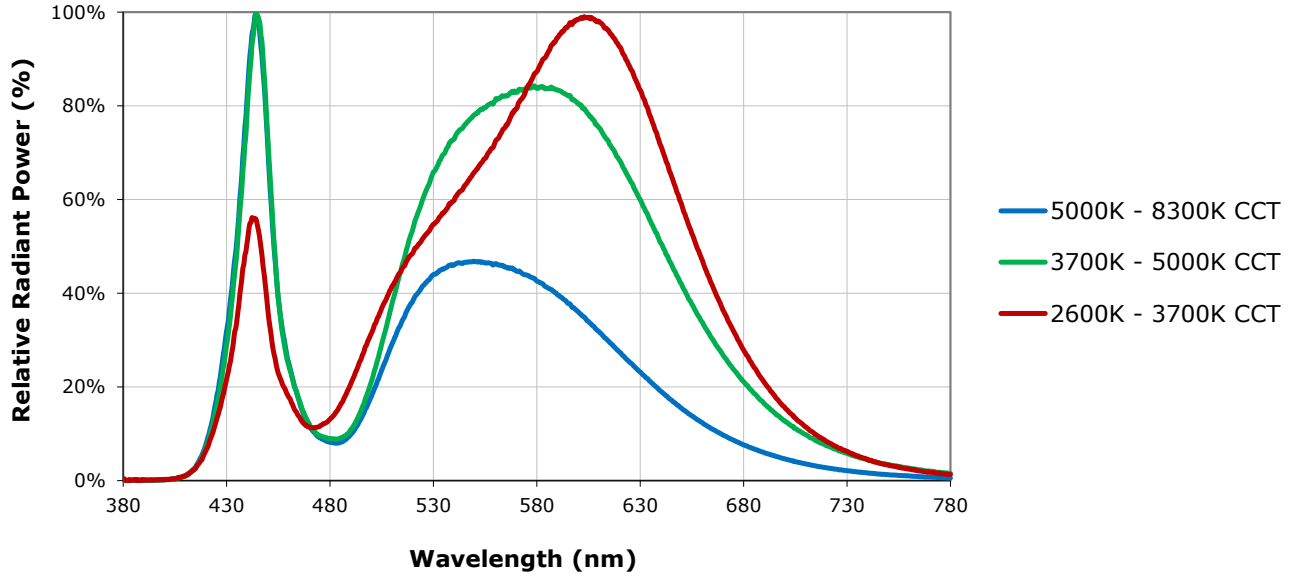
**FLUX CHARACTERISTICS (T<sub>j</sub> = 85 °C) - CONTINUED**

Color	CCT Range		Base Order Codes Min. Luminous Flux @ 350 mA			Calculated Minimum Luminous Flux (lm)** @ 85 °C			Order Code
	Min.	Max.	Group	Flux (lm) @ 85 °C	Flux (lm) @ 25 °C*	700 mA	1.0 A	1.5 A	
85-CRI White	2600 K	3200 K	P3	73.9	83.8	135	180	244	XPGBWT-P1-0000-008E7
			P4	80.6	91.4	147	196	266	XPGBWT-P1-0000-009E7
			Q2	87.4	99.1	160	213	288	XPGBWT-P1-0000-00AE7
			Q3	93.9	106	172	228	310	XPGBWT-P1-0000-00BE7
90-CRI White	2600 K	3200 K	P3	73.9	83.8	135	180	244	XPGBWT-U1-0000-008E7
			P4	80.6	91.4	147	196	266	XPGBWT-U1-0000-009E7
			Q2	87.4	99.1	160	213	288	XPGBWT-U1-0000-00AE
			Q3	93.9	106	172	228	310	XPGBWT-U1-0000-00BE7

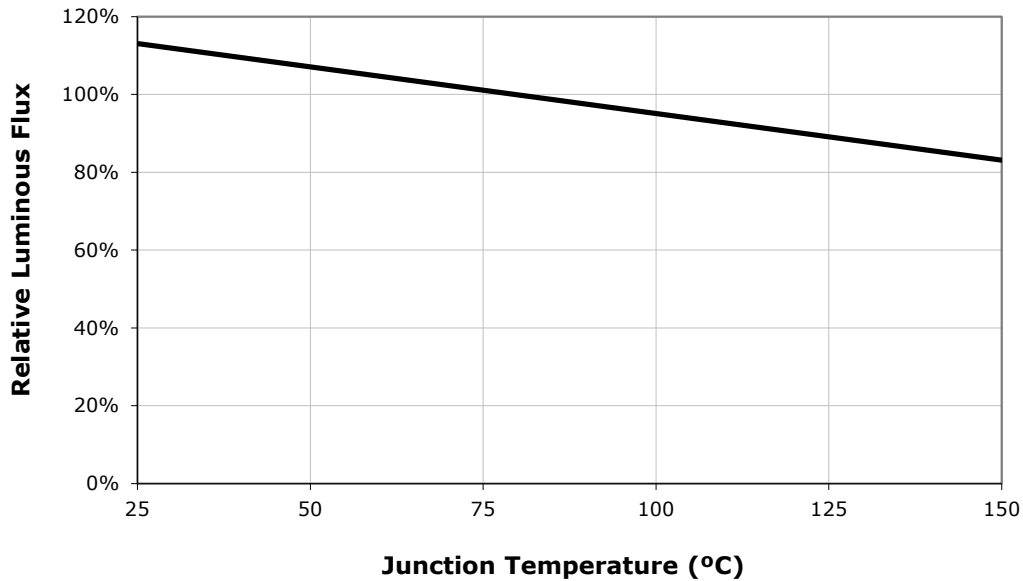
**Notes:**

- Cree maintains a tolerance of ±7% on flux and power measurements, ±0.005 on chromaticity (CCx, CCy) measurements and ±2 on CRI measurements.
  - Typical CRI for Cool White (5000 K - 8300 K CCT) is 70.
  - Typical CRI for Neutral White (3700 K - 5300 K CCT) is 75.
  - Typical CRI for Outdoor White (4000 K - 5300 K CCT) is 70.
  - Typical CRI for Warm White (2600 K - 3700 K CCT) is 80.
  - Flux values @ 25 °C are calculated and for reference only.
  - Minimum CRI for 80-CRI White is 80.
  - Minimum CRI for 85-CRI White is 85.
  - Minimum CRI for 90-CRI White is 90.
- \*\* Calculated flux values at 700 mA, 1 A and 1.5 A are for reference only.

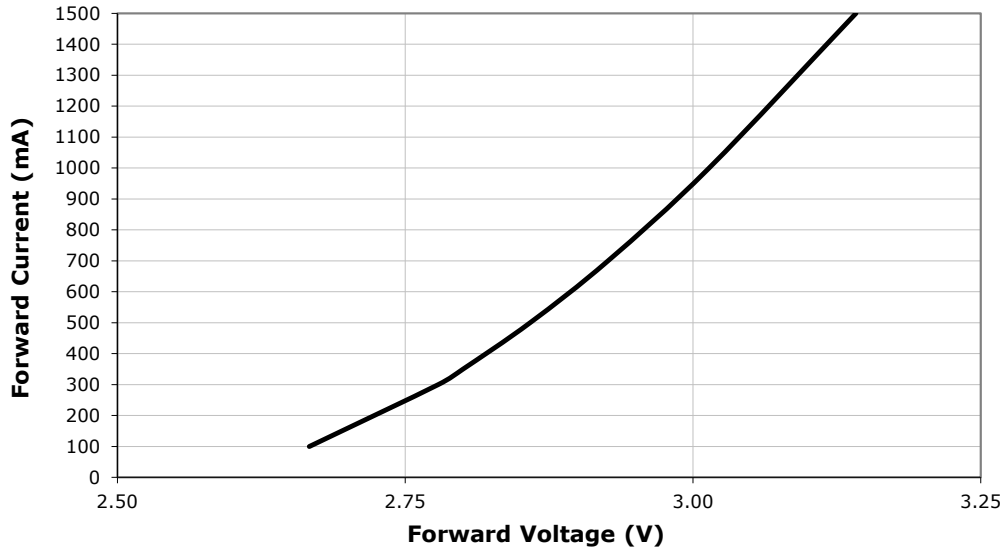
**RELATIVE SPECTRAL POWER DISTRIBUTION**



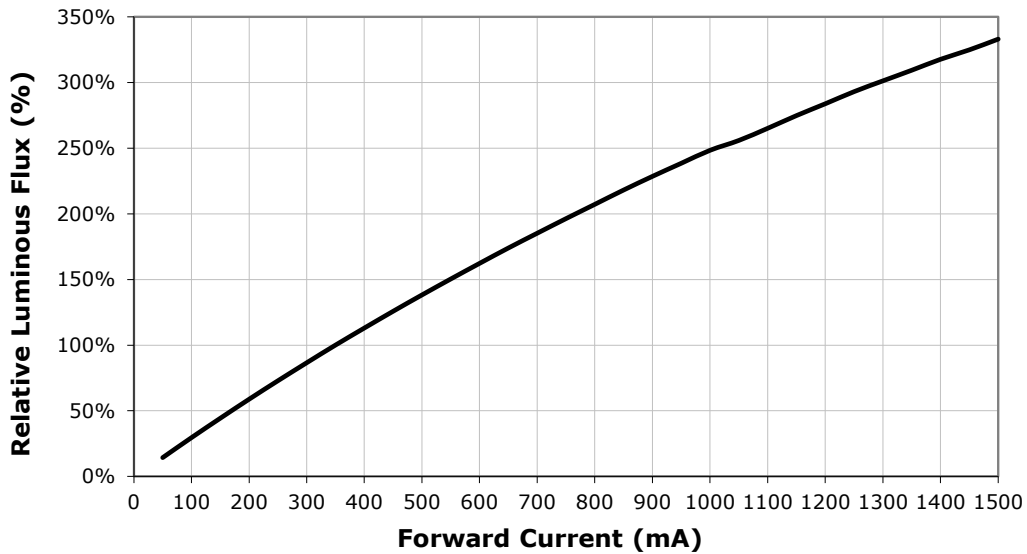
**RELATIVE FLUX VS. JUNCTION TEMPERATURE ( $I_f = 350$  mA)**



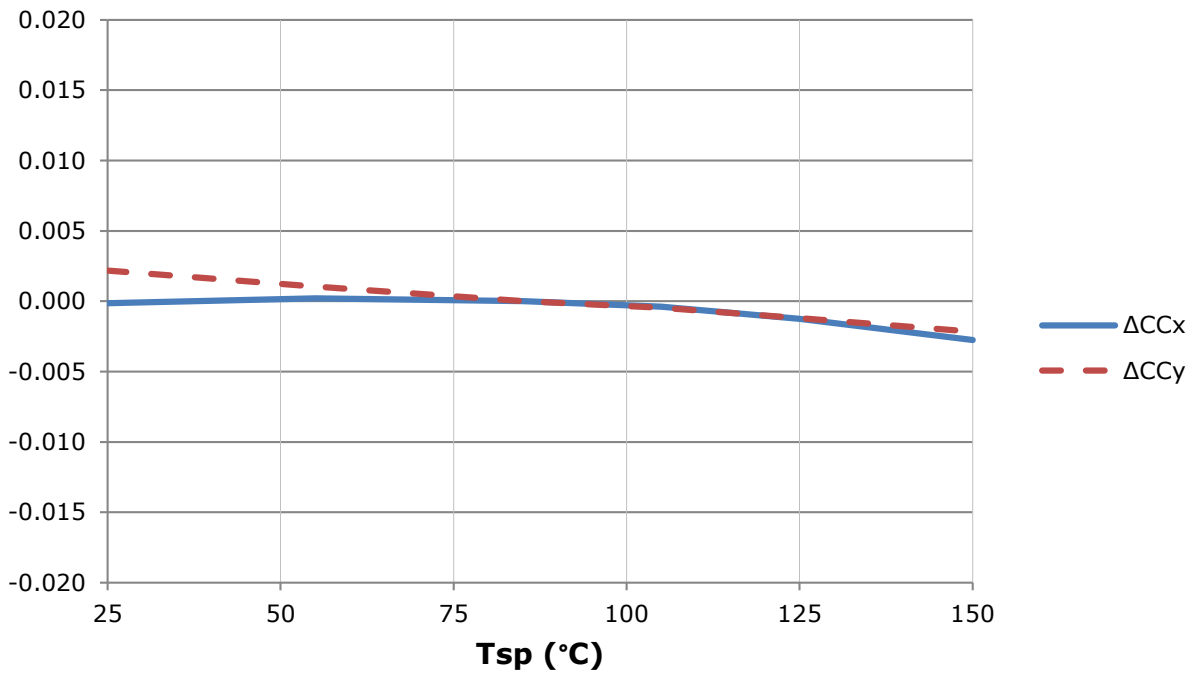
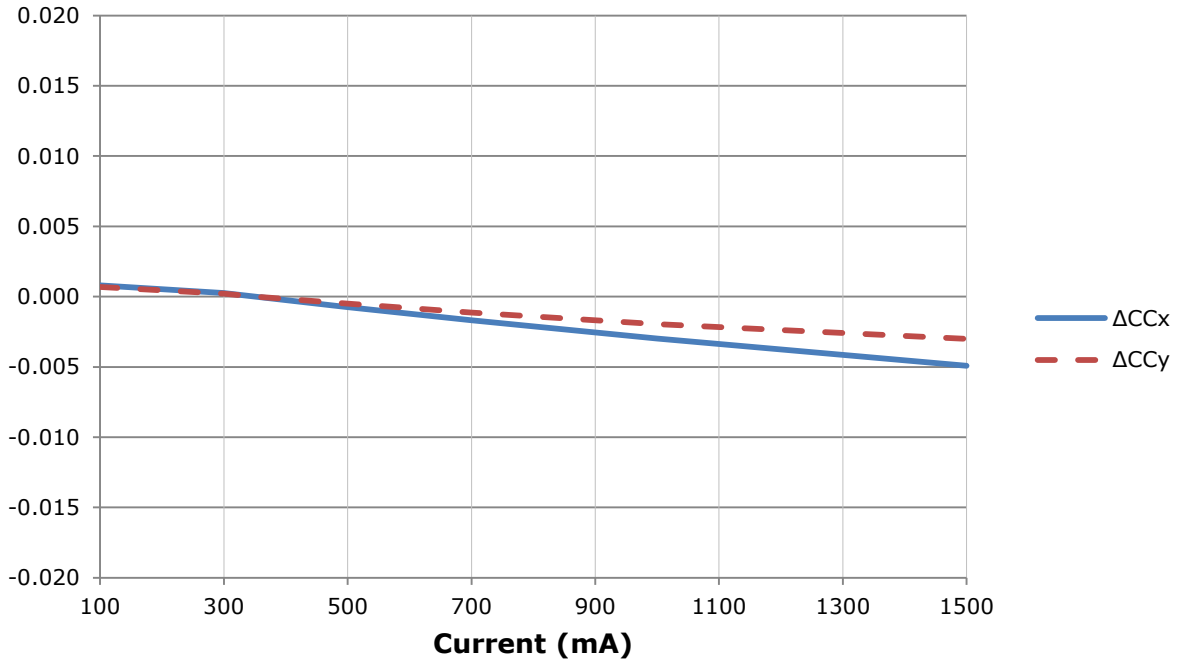
**ELECTRICAL CHARACTERISTICS ( $T_j = 85\text{ }^\circ\text{C}$ )**



**RELATIVE FLUX VS. CURRENT ( $T_j = 85\text{ }^\circ\text{C}$ )**

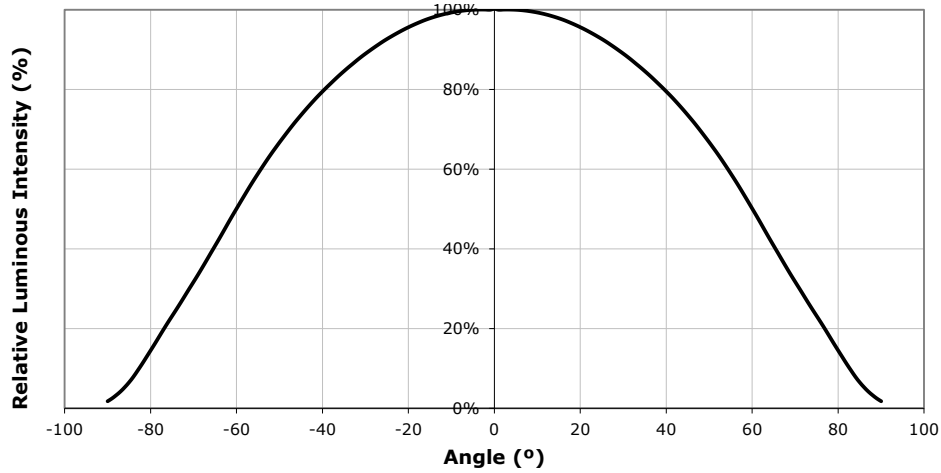


**RELATIVE CHROMATICITY VS CURRENT AND TEMPERATURE (WARM WHITE\*)**



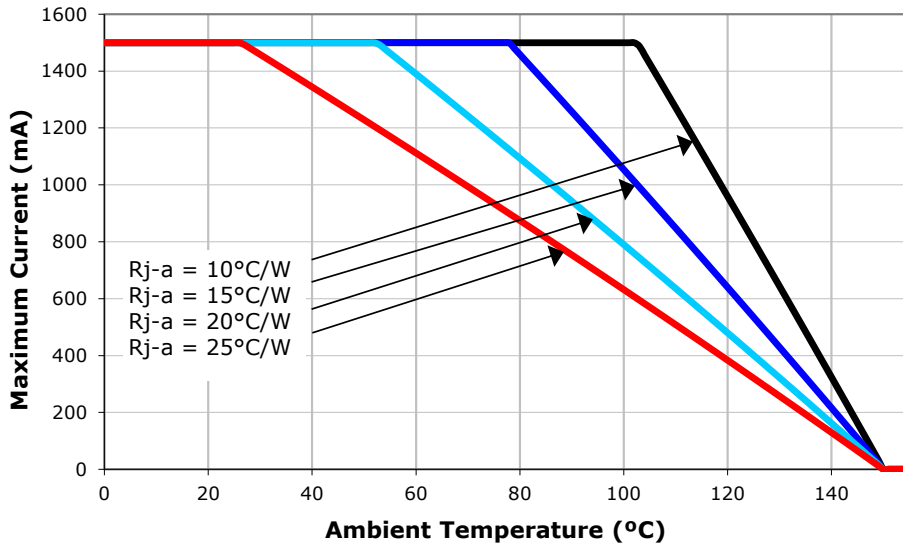
\* Warm White XLamp XP-G2 LEDs have a typical CRI of 80.

**TYPICAL SPATIAL DISTRIBUTION**



**THERMAL DESIGN**

The maximum forward current is determined by the thermal resistance between the LED junction and ambient. It is crucial for the end product to be designed in a manner that minimizes the thermal resistance from the solder point to ambient in order to optimize lamp life and optical characteristics.

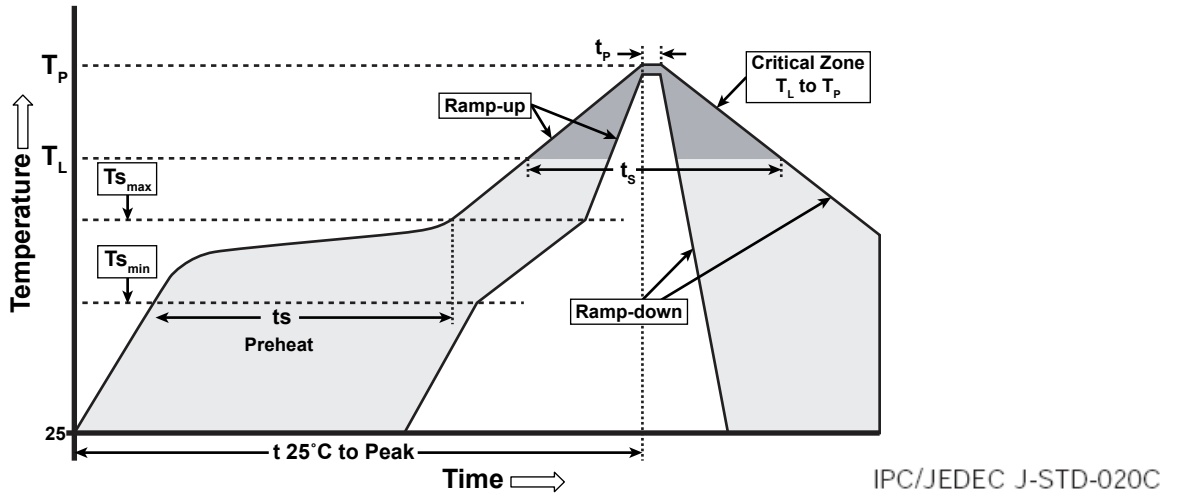




## REFLOW SOLDERING CHARACTERISTICS

In testing, Cree has found XLamp XP-G2 LEDs to be compatible with JEDEC J-STD-020C, using the parameters listed below. As a general guideline, Cree recommends that users follow the recommended soldering profile provided by the manufacturer of solder paste used.

Note that this general guideline may not apply to all PCB designs and configurations of reflow soldering equipment.



Profile Feature	Lead-Based Solder	Lead-Free Solder
Average Ramp-Up Rate ( $T_{s_{max}}$ to $T_P$ )	3 °C/second max.	3 °C/second max.
Preheat: Temperature Min ( $T_{s_{min}}$ )	100 °C	150 °C
Preheat: Temperature Max ( $T_{s_{max}}$ )	150 °C	200 °C
Preheat: Time ( $t_{s_{min}}$ to $t_{s_{max}}$ )	60-120 seconds	60-180 seconds
Time Maintained Above: Temperature ( $T_L$ )	183 °C	217 °C
Time Maintained Above: Time ( $t_L$ )	60-150 seconds	60-150 seconds
Peak/Classification Temperature ( $T_P$ )	215 °C	260 °C
Time Within 5 °C of Actual Peak Temperature ( $t_p$ )	10-30 seconds	20-40 seconds
Ramp-Down Rate	6 °C/second max.	6 °C/second max.
Time 25 °C to Peak Temperature	6 minutes max.	8 minutes max.

Note: All temperatures refer to topside of the package, measured on the package body surface.

## NOTES

---

### **Lumen Maintenance Projections**

Cree now uses standardized IES LM-80-08 and TM-21-11 methods for collecting long-term data and extrapolating LED lumen maintenance. For information on the specific LM-80 data sets available for this LED, refer to the public [LM-80 results document](#).

Please read the [Long-Term Lumen Maintenance application note](#) for more details on Cree's lumen maintenance testing and forecasting. Please read the [Thermal Management application note](#) for details on how thermal design, ambient temperature, and drive current affect the LED junction temperature.

### **Moisture Sensitivity**

In testing, Cree has found XLamp XP-G2 LEDs to have unlimited floor life in conditions  $\leq 30$  °C/85% relative humidity (RH). Moisture testing included a 168-hour soak at 85 °C/85% RH followed by 3 reflow cycles, with visual and electrical inspections at each stage.

Cree recommends keeping XLamp LEDs in their sealed moisture-barrier packaging until immediately prior to use. Cree also recommends returning any unused LEDs to the resealable moisture-barrier bag and closing the bag immediately after use.

### **RoHS Compliance**

The levels of RoHS restricted materials in this product are below the maximum concentration values (also referred to as the threshold limits) permitted for such substances, or are used in an exempted application, in accordance with EU Directive 2011/65/EC (RoHS2), as implemented January 2, 2013. RoHS Declarations for this product can be obtained from your Cree representative or from the Product Documentation sections of [www.cree.com](http://www.cree.com).

### **REACH Compliance**

REACH substances of high concern (SVHCs) information is available for this product. Since the European Chemical Agency (ECHA) has published notice of their intent to frequently revise the SVHC listing for the foreseeable future, please contact a Cree representative to insure you get the most up-to-date REACH Declaration. REACH banned substance information (REACH Article 67) is also available upon request.

### **UL Recognized Component**

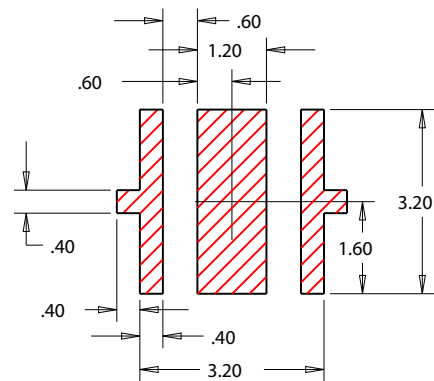
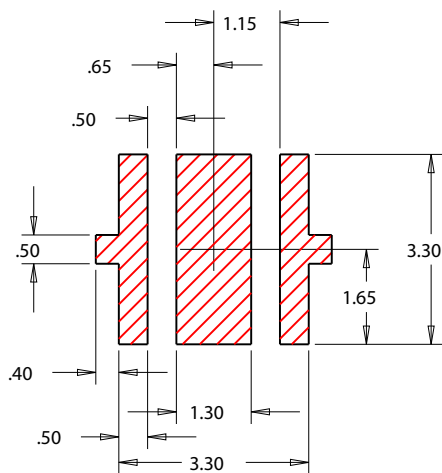
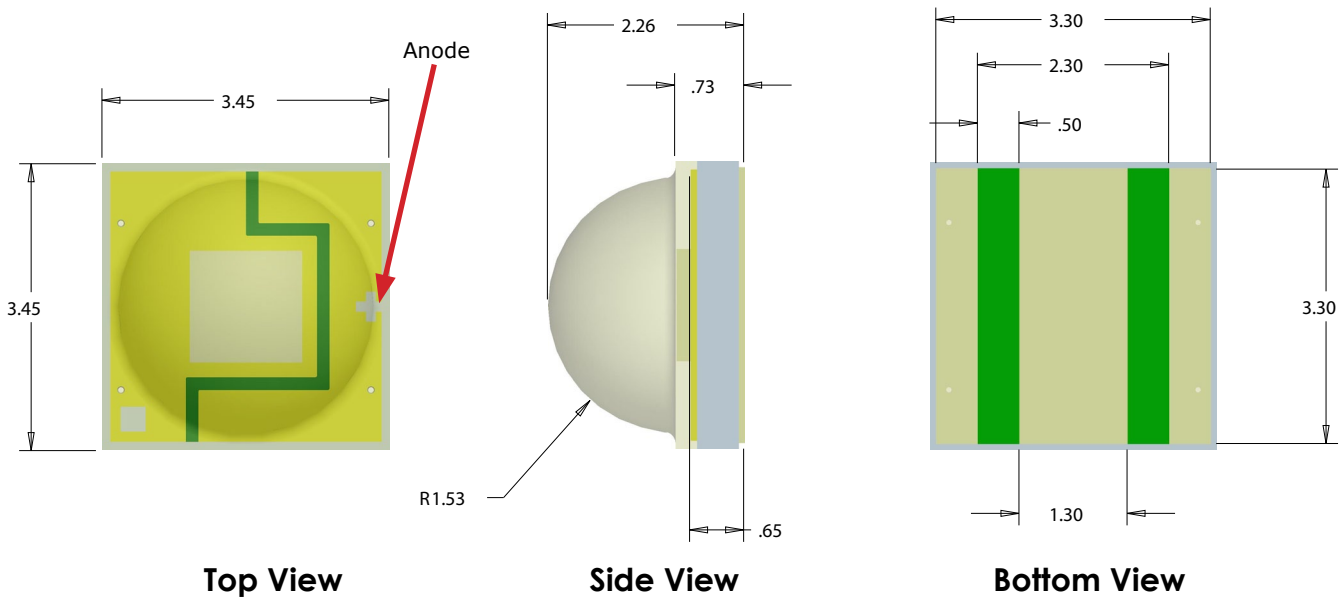
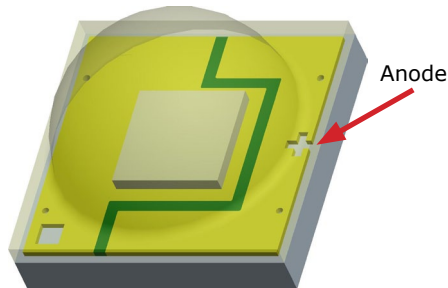
Level 4 enclosure consideration. The LED package or a portion thereof has been investigated as a fire and electrical enclosure per ANSI/UL 8750.

### **Vision Advisory Claim**

**WARNING:** Do not look at exposed lamp in operation. Eye injury can result. For more information about LEDs and eye safety, please refer to the [LED Eye Safety application note](#).

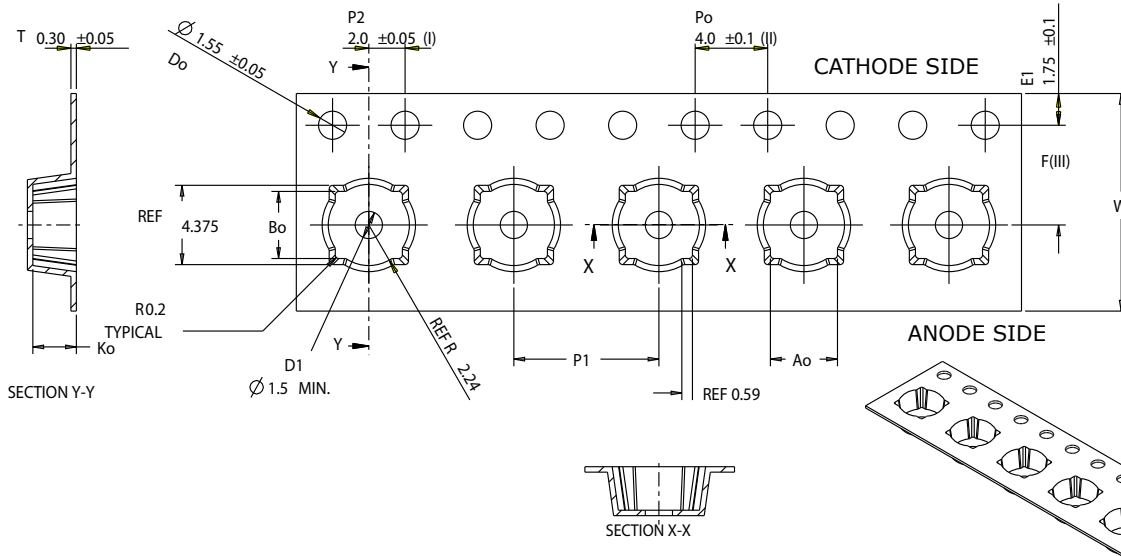
**MECHANICAL DIMENSIONS (T<sub>A</sub> = 25 °C)**

All measurements are ±.13 mm unless otherwise indicated.



**TAPE AND REEL**

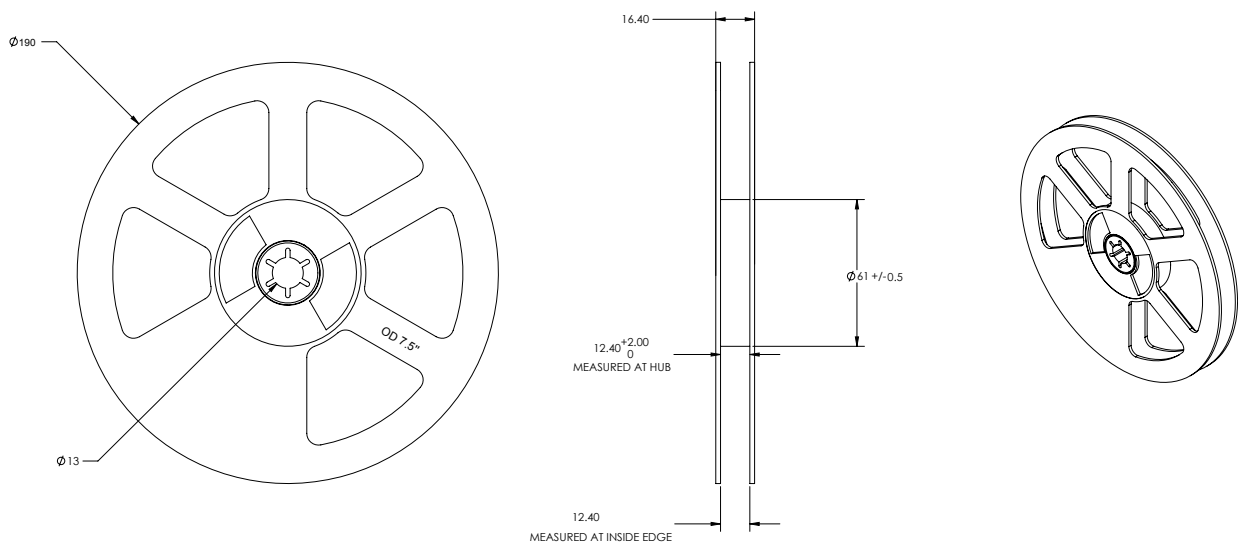
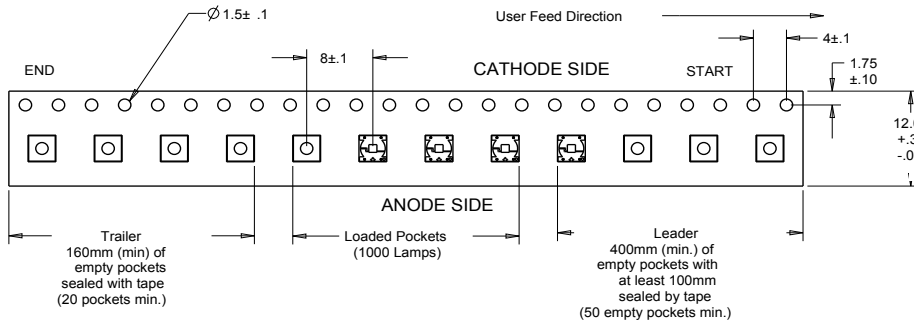
All Cree carrier tapes conform to EIA-481D, Automated Component Handling Systems Standard.



All dimensions in mm.

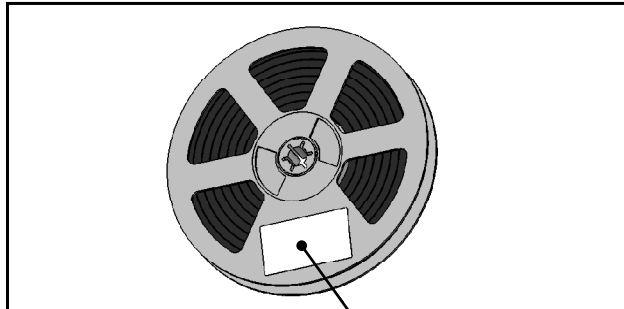
Ao	3.70	+/- 0.1
Bo	3.70	+/- 0.1
Ko	2.40	+0.0/-0.1
F	5.50	+/- 0.05
P 1	8.00	+/- 0.1
W	12.00	+0.3/-0.1

- (I) Measured from centerline of sprocket hole to centerline of pocket.
- (II) Cumulative tolerance of 10 sprocket holes is ±0.20.
- (III) Measured from centerline of sprocket hole to centerline of pocket.
- (IV) Other material available.



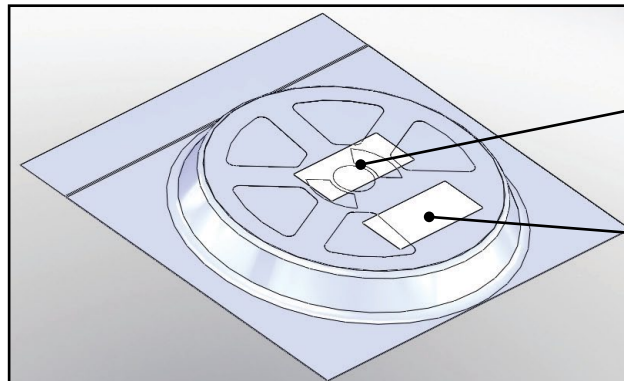
## PACKAGING

### Unpackaged Reel



Label with Cree Bin Code, Qty, Reel ID

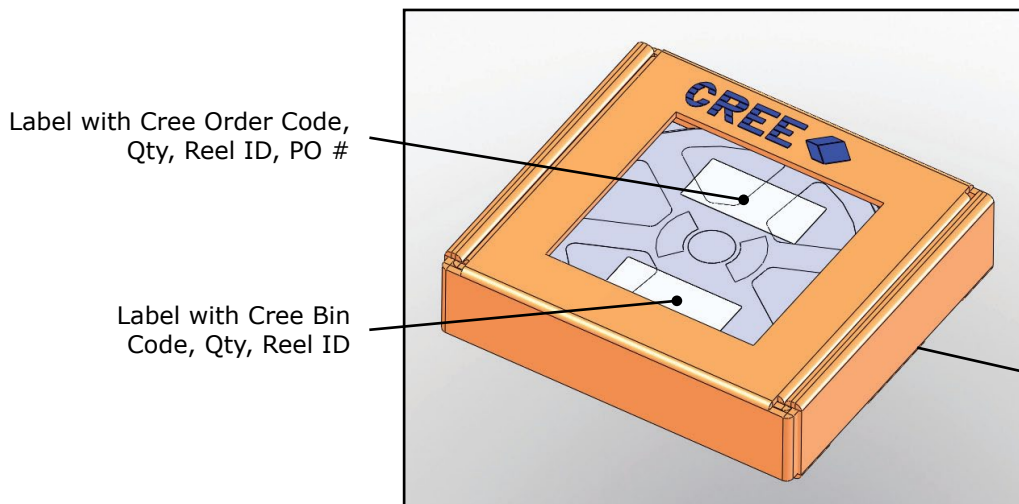
### Packaged Reel



Label with Cree Order Code, Qty, Reel ID, PO #

Label with Cree Bin Code, Qty, Reel ID

### Boxed Reel



Label with Cree Order Code, Qty, Reel ID, PO #

Label with Cree Bin Code, Qty, Reel ID

Patent Label (on bottom of box)