

Voltage selector switch, 2 stages, serie-parallel, panel mounting



Description

- Voltage Selector, 2 stages
- Series-parallel connections
- Solder terminals

Standards

- IEC 61058-2-5
- UL 508
- CSA C22.2 no. 55

References

Alternative: version for PCB mounting [SWA2 \(Print\)](#)

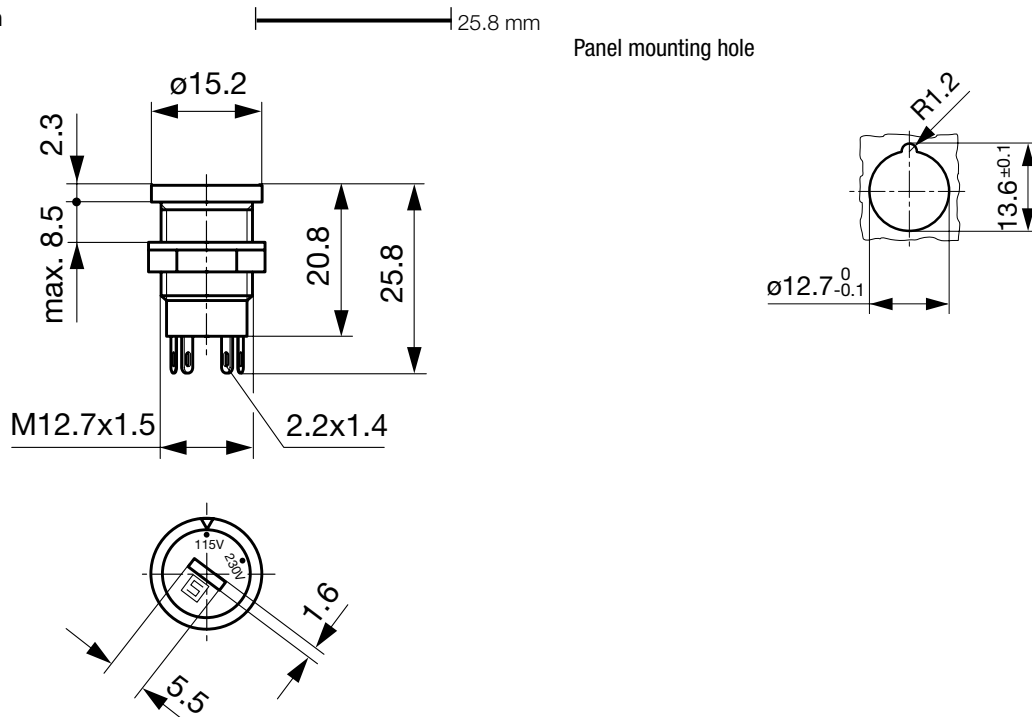
Weblinks

[pdf-datasheet](#), [html-datasheet](#), [General Product Information](#), [Approvals](#), [CE declaration of conformity](#), [RoHS](#), [CHINA-RoHS](#), [e-Shop](#), [SCHURTER-Stock-Check](#), [Distributor-Stock-Check](#), [CAD-Drawings](#), [Detailed request for product](#)

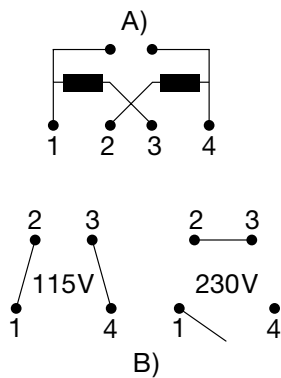
Technical Data

| | | | |
|---------------------------|--|---------------------------------|---|
| Ratings | IEC: 6.3 A / 250 VAC; 50 Hz UL: 6.3 A / 250 VAC; 60 Hz CSA: 6.3 A / 250 VAC; 60 Hz | Solderability | 350 °C / 2 sec acc. to IEC 60068-2-20, Test Ta, method 2 |
| Mounting | Panel Mount from front side | Resistance to Soldering Heat | 350 °C / 10 sec acc. to IEC 60068-2-20, Test Tb, method 2 |
| Fastening | Screw-on mounting | Insulation Resistance | > 10'000M Ω (500VDC; 1min) |
| Terminal | Solder | Contact Resistance | < 10 m Ω at 20 mV |
| Number of Stages | 2 | Dielectric Strength | > 2kVAC between L-N > 4kVAC between L/N-PE (1min; 50Hz) |
| Lifetime | 300 operating cycles (without load) | Clearance and Creepage Distance | > 3mm > 8mm between L/N-PE |
| Degree of Protection | IP 40 | Resistance to Vibration | acc. to IEC 60068-2-6, test Fc |
| Protection Class | Suitable for appliances with protection class II acc. to IEC 61140 | Panel Thickness s | max 8.5 mm |
| Allowable Operation Temp. | -40 °C to 85 °C | | |
| Climatic Category | 25/85/21 acc. to IEC 60068-1 | | |
| Material: Socket | Thermoplastic, black, UL 94V-0 | | |
| Weight | 3.9 g | | |

Dimension



Diagrams



A) Power mains

B) Internal contact arrangement for series-parallel connection

All Variants

| Letterings | | Order Number |
|------------|---------|--------------|
| Stage 1 | Stufe 2 | |
| 110 | 220 | 0033.4501 |
| 115 | 220 | 0033.4502 |
| 120 | 240 | 0033.4503 |
| 115 | 230 | 0033.4504 |
| 220 | 240 | 0033.4505 |
| 50 Hz | 60 Hz | 0033.4508 |
| 230 | 240 | 0033.4510 |
| LO | HI | 0033.4513 |
| | | 0033.4514 |
| 120 | 230 | 0033.4515 |
| 0 | 1 | 0033.4518 |
| A | B | 0033.4521 |
| TEST | RUN | 0033.4524 |

| Letterings | | Order Number |
|------------|---------|--------------|
| Stage 1 | Stufe 2 | |

Most Popular.
Availability for all products
can be searched real-
time:<http://www.schurter.com/en/Stock-Check/Stock-Check-SCHURTER>

| | |
|-----------------------|---------|
| Packaging Unit | 100 Pcs |
|-----------------------|---------|
