

IEC Appliance Inlet C14 with Fuseholder 1- or 2-pole



Snap-In Version



Description

- Panel Mount:
Snap-in version from front side
- 2 Functions:
Appliance Inlet protection class I or II, Fuseholder for fuse-links 5 x 20 mm on the rear-side 1- or 2-pole

Approvals

- VDE Certificate Number: 40024857
- UL File Number: E93617, E96454
- CSA File Number: 38456
- CCC File Number: 2006010204183182

Characteristics

- Two "locking" snappers reinforce connector against repeated or excessive pull out force during plug removal
- All single elements are already wired
- Fuseholder on the inside of the equipment prevents accidental use of incorrect fuse-links by the user
- Suitable for use in equipment according to IEC/UL 60950

Other versions on request

- Ground terminal, solder/quick-connect, 90° to connector axis

Weblinks

[pdf-datasheet](#), [html-datasheet](#), [General Product Information](#), [Approvals](#), [CE declaration of conformity](#), [RoHS](#), [CHINA-RoHS](#), [Mating Connectors](#), [e-Shop](#), [SCHURTER-Stock-Check](#), [Distributor-Stock-Check](#), [CAD-Drawings](#), [Accessories](#), [Detailed request for product](#)

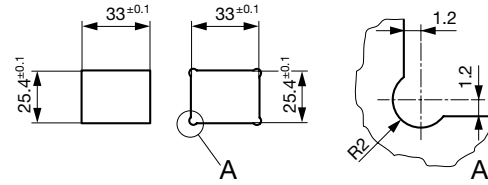
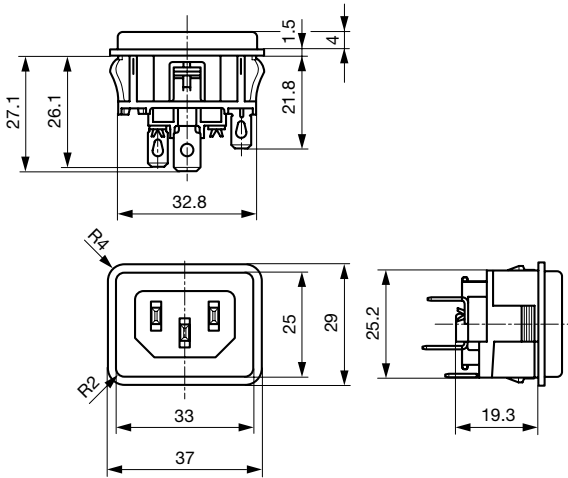
Newly available variants corresponding to V-Lock mating cordset. The connector is equipped with a notch intended for use with the latching cordset. The cord latching system prevents against accidental removal of the cordset.

Technical Data

Ratings IEC	10A / 250VAC; 50Hz	Appliance Inlet	C14 / C18 acc. to IEC 60320, UL 498, CSA C22.2 no. 42 (for cold conditions) pin-temperature 70 °C, 10A, Protection Class I or II
Ratings UL/CSA	10A / 125VAC; 60Hz	Fuseholder	1 or 2 pole, Shocksafe category PC2 acc. to IEC 60127-6, for fuse-links 5 x 20mm
Dielectric Strength	> 2.2kVAC between L-N > 3kVAC between L/N-PE (1 min/50Hz)	Rated Power Acceptance @ Ta 23 °C	5 x 20: 3.15W (1 pole)/ 2.5W (2-pole) per pole
Allowable Operation Temp.	-25 °C to 70 °C	Power Acceptance @ Ta > 23°C	Admissible power acceptance at higher ambient temperature see derating curves
Degree of Protection	from front side IP 40 acc. to IEC 60529		
Protection Class	Suitable for appliances with protection class I or II acc. to IEC 61140		
Terminal	Quick connect terminals 4.8 x 0.8 mm , Ground terminal: Solder terminals or quick connect terminals tin-plated Solder terminal on request		
Panel Thickness s	Snap-in: 1/1.2/1.5/2/2.5/3 mm (other on request) (all steps with one variant)		
Material: Housing	Thermoplastic, black, UL 94V-0		

Dimensions

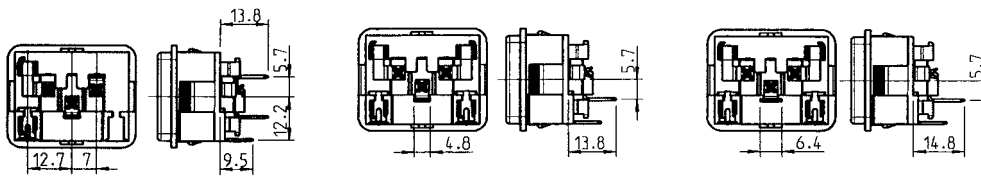
punched / drilled



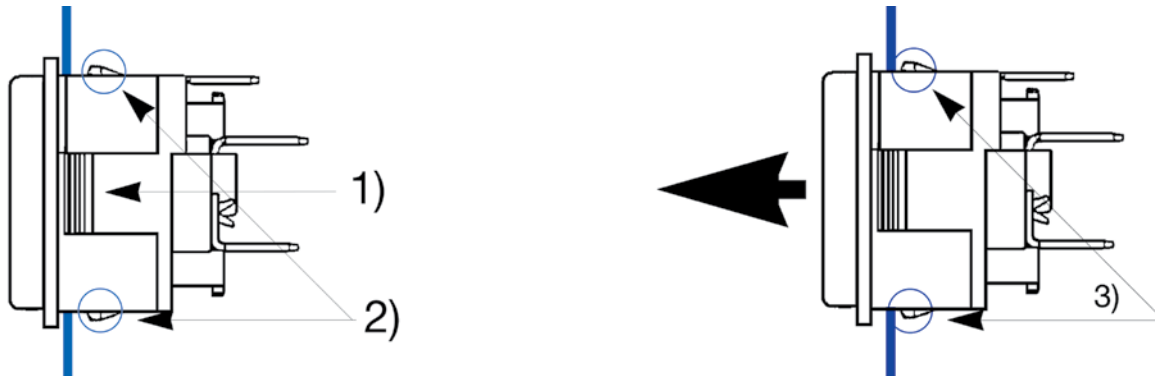
Line and neutral: Quick-connect
Quick connect terminal 4.8 x 0.8 mm

Ground terminal: Quick connect
Quick connect terminal 4.8 x 0.8 mm

Ground terminal: Quick-connect
Quick connect terminal 6.3 x 0.8 mm



Assembly Instructions

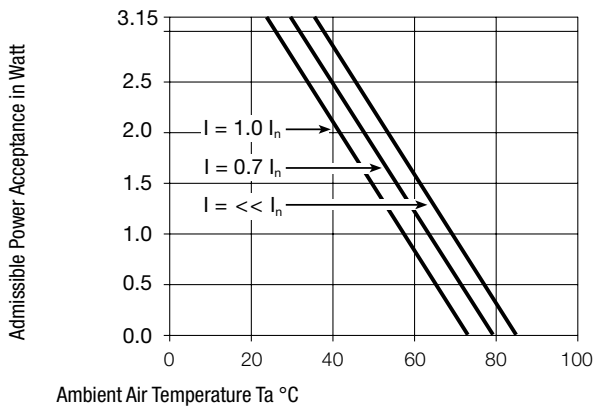


1) Main snappers for snap-in mounting
2) Additional safety snappers not in use

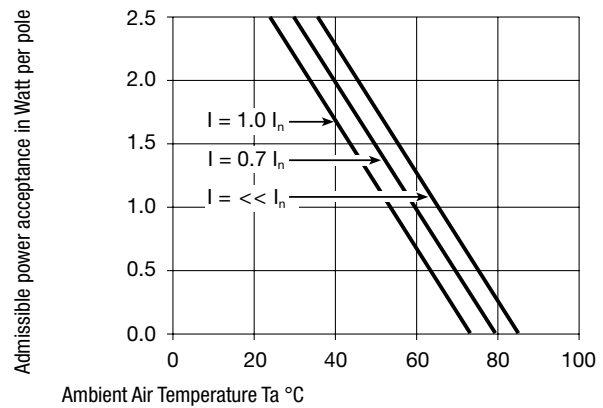
3) Additional safety snappers in use
against excessive pull out force

Derating Curves

1-pole



2-pole



All Variants

Protection Class	Fuseholder	Ground terminal	Order Number
I	-	Quick connect terminals 4.8 x 0.8 mm	GSF2.0011.01
I	1-pole	Quick connect terminals 4.8 x 0.8 mm	GSF2.1011.01
I	1-pole	Quick connect terminals 4.8 x 0.8 mm	GSF2.1022.01
I	1-pole	Quick connect terminals 6.3 x 0.8 mm	GSF2.1013.01
I	2-pole	Quick connect terminals 4.8 x 0.8 mm	GSF2.2011.01
I	2-pole	Quick connect terminals 4.8 x 0.8 mm	GSF2.2022.01
I	2-pole	Quick connect terminals 6.3 x 0.8 mm	GSF2.2013.01
II	1-pole		GSF2.1010.01
II	1-pole		GSF2.1010.A1
II	2-pole		GSF2.2010.01

Most Popular.

Availability for all products can be searched real-time: <http://www.schurter.com/en/Stock-Check/Stock-Check-SCHURTER>

Suffix ".21" corresponds to the version with V-Lock mating cordset. The connector is equipped with a notch intended for use with the latching cordset. The cord latching system prevents against accidental removal of the cordset.

Packaging unit 50 Pcs

Mating Outlets/Connectors

Category / Description

[Connector Overview complete](#)



IEC Connector C15A, Rewireable, Straight	0102
IEC Connector C15A, Rewireable, Straight	0102-G
IEC Connector C15A, Rewireable, Angled	0112
IEC Connector C13, Rewireable, Angled	4012
IEC Connector C13, Rewireable, Straight	4022

[Connector further types to GSF2](#)

...

[Interconnection Cord Overview complete](#)



Interconnection Cord C13, 10 A	6007.0212
Interconnection Cord C13, 10 A	6007.0214

[Interconnection Cord further types to GSF2](#)

Category / Description



[Power Cord Overview complete](#)

Power Supply Cord with IEC plug C14, stripped end 6007.0204

[Power Cord further types to GSF2](#)

[Power Supply Cord Overview complete](#)



Power Supply Cord with IEC Connector C13 straight, stripped end 6000.0214

Power Supply Cord with IEC Connector C13 angled, stripped end 6000.0224

EU Power Supply Cord with IEC Connector C13, straight 6003.0215

EU Power Supply Cord with IEC Connector C13, straight 6004.0215

US Power Supply Cord with IEC Connector C13, straight 6009.1315

[Power Supply Cord further types to GSF2](#) ...

[Power Supply or Interconnection Cord Overview complete](#)

Diverse Power Supply and Interconnection Cords 10 A 6003.0204

Diverse Power Supply and Interconnection Cords 10 A 6003.0205

Diverse Power Supply and Interconnection Cords 10 A 6026.0205

UK Power Supply Cord with stripped ends 6044.0204

Diverse Power Supply and Interconnection Cords 10 A 6045.0114

[Power Supply or Interconnection Cord further types to GSF2](#) ...

Mating Outlets/Connectors shuttered



[Power Cord Overview complete](#)

Overview Power Supply Cord with IEC Connector C13, V-Lock, straight VAC13KS

[Power Cord further types to GSF2](#)