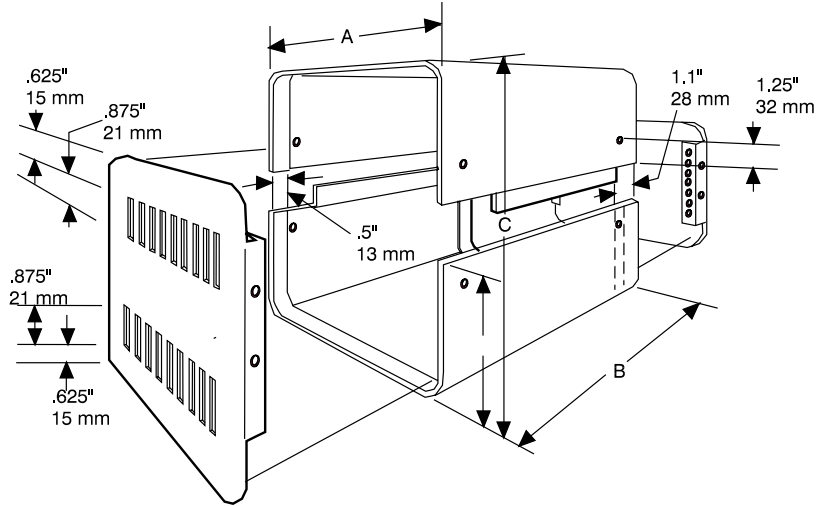


# Instrument Case (1401 Series)



## KEY FEATURES

- 18 gauge steel top & bottom halves finished in contemporanea grey powder paint.
- 0.064" (1.6 mm) thick aluminum panels, front finished in satin black and vented back finished in contemporanea grey powder paint.
- Rear panel is vented top and bottom.
- 6-32 Philips nickel plated screws and self-adhesive rubber feet included.
- Replacement screws **1421J6** (Pkg. of 6, 6-32 Philips head screws).

Metal

Part Number	Units	Dimensions		
		A	B	C
<b>1401AAA</b>	inch mm	4 101	6 152	4 101
<b>1401AA</b>	inch mm	6 152	6 152	5 127
<b>1401A</b>	inch mm	6 152	10 254	5 127
<b>1401C</b>	inch mm	8 203	10 254	9 229
<b>1401E</b>	inch mm	8 203	8 203	8 203
<b>1401G</b>	inch mm	10 254	12 305	9 229
<b>1401K</b>	inch mm	10 254	14 356	6.5 165
<b>1401M</b>	inch mm	12 305	8 203	9 229
<b>1401N</b>	inch mm	14 356	8 203	9 229
<b>1401P</b>	inch mm	14 356	10 254	5 127