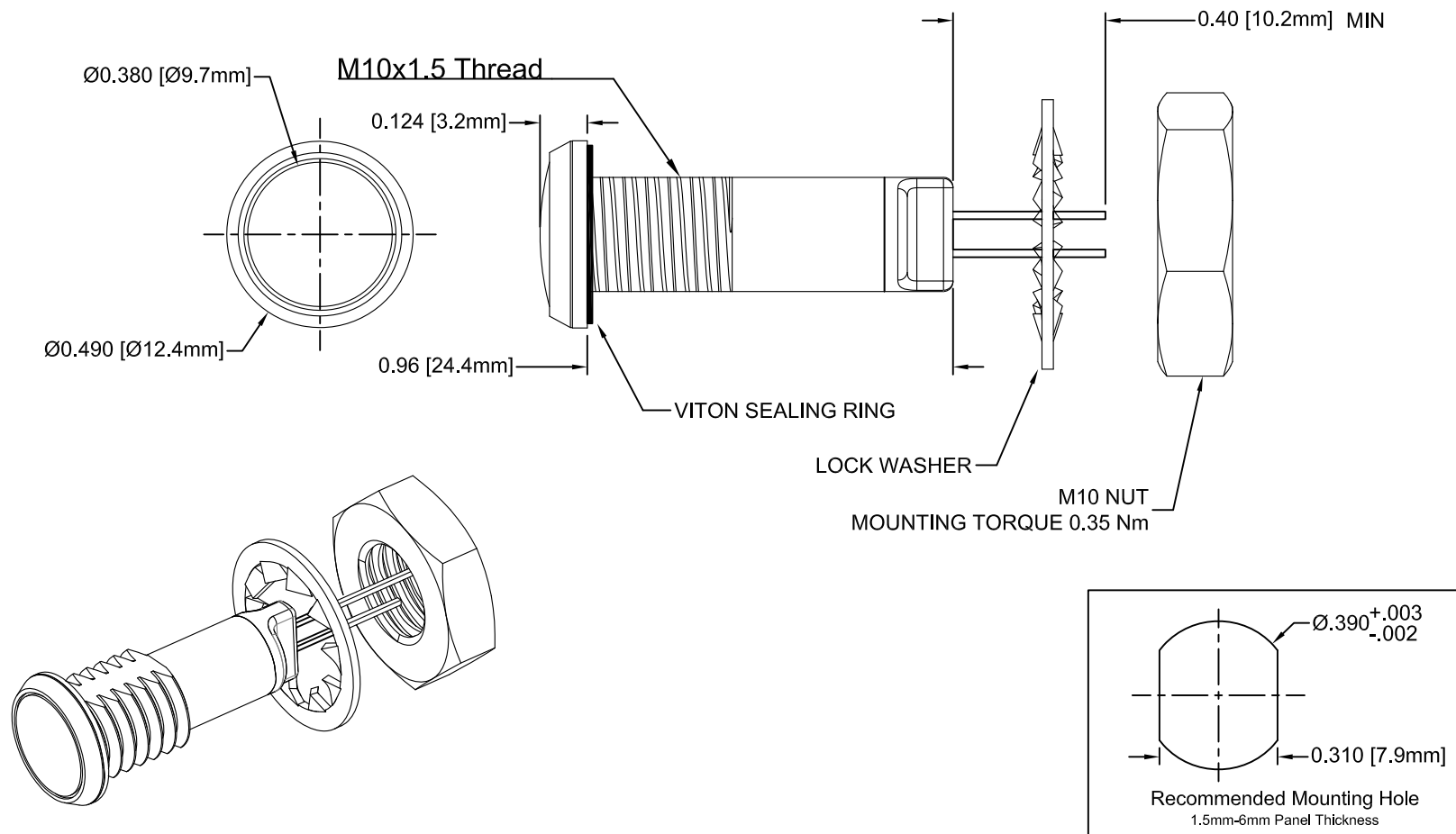


661 Series

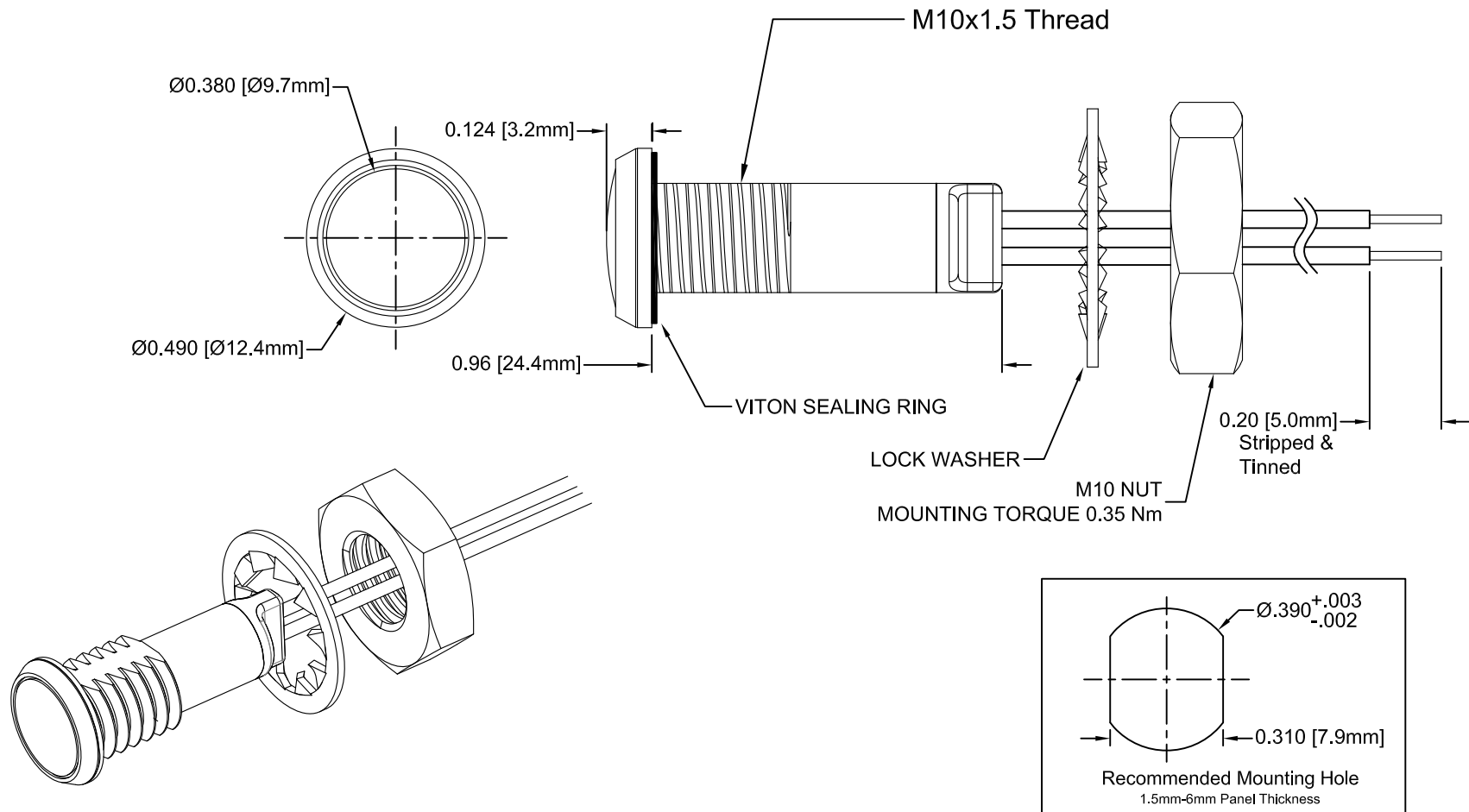


NOTES:

1. SEALED TO IP67 RATING
2. WIDE RANGE VOLTAGE INPUT, 8-48 VAC/VDC
3. BI-POLAR OPERATION
4. ROHS COMPLIANT
5. MOUNTING HARDWARE SHIPPED NON-ASSEMBLED
6. INSERT VITON RING ON PANEL MOUNT PRIOR TO PANEL INSERTION

STANDARD TOLERANCE (UNLESS OTHERWISE SPECIFIED)		MARL	MARL BUSINESS PARK, ULVERSTON, UK. LA12 9BN Tel: +44 (0)1229 582 430. Web: www.leds.co.uk
DECIMALS	ANGULAR		
.X ± .1	X° ± 1°		
.XX ± .02		⊕ □	TITLE: IP67 Rated Panel Mount Indicator
.XXX ± .010			PART NO: 661 Series
Provisional		SHEET # 1 OF 3	
<small>CAD GENERATED DOCUMENT, DO NOT MEASURE DRAWING.</small>			

661 Series (Flying Leads version)



NOTES:

1. SEALED TO IP67 RATING
2. WIDE RANGE VOLTAGE INPUT, 8-48 VAC/VDC
3. BI-POLAR OPERATION
4. ROHS COMPLIANT
5. MOUNTING HARDWARE SHIPPED NON-ASSEMBLED
6. INSERT VITON RING ON PANEL MOUNT PRIOR TO PANEL INSERTION

STANDARD TOLERANCE (UNLESS OTHERWISE SPECIFIED)		MARL	MARL BUSINESS PARK, ULVERSTON, UK. LA12 9BN Tel: +44 (0)1229 582 430. Web: www.leds.co.uk
<u>DECIMALS</u>	<u>ANGULAR</u>		
.X ± .1	X° ± 1°		
.XX ± .02		TITLE: IP67 Rated Panel Mount Indicator	
.XXX ± .010		PART NO: 661 Series	
Provisional		SHEET # 2 OF 3	
<small>CAD GENERATED DOCUMENT, DO NOT MEASURE DRAWING.</small>			

Marl Part No.	LED Part Number	Peak Wave Length λ_p (nm)	Emitted Colour	Lens Appearance	Electro-Optical Data @ 20mA		Viewing Angle	Termination
					Typ Vf (VAC/VDC)	LED Iv (mcd)		
					TYP	TYP		
661-508-64	508	605	AMBER	WHITE DIFFUSED	8-48	25	120	PINS
661-508-64-40								12IN FLYING LEADS
661-520-64	520	430	BLUE	WHITE DIFFUSED	8-48	200	120	PINS
661-520-64-40								12IN FLYING LEADS
661-514-64	514	568	GREEN	WHITE DIFFUSED	8-48	30	120	PINS
661-514-64-40								12IN FLYING LEADS
661-502-64	502	625	HE RED	WHITE DIFFUSED	8-48	25	120	PINS
661-502-64-40								12IN FLYING LEADS
661-505-64	505	645	RED	WHITE DIFFUSED	8-48	40	120	PINS
661-505-64-40								12IN FLYING LEADS
661-511-64	511	590	YELLOW	WHITE DIFFUSED	8-48	300	120	PINS
661-511-64-40								12IN FLYING LEADS

Marl Part No.	LED Part Number	Colour Temperature	Emitted Colour	Lens Appearance	Electro-Optical Data @ 20mA		Viewing Angle	Termination
					Typ Vf (VAC/VDC)	LED Iv (mcd)		
					TYP	TYP		
661-997-64	997	5000K	NEUTRAL WHITE	WHITE DIFFUSED	8-48	600	120	PINS
661-997-64-40								12IN FLYING LEADS

ABSOLUTE MAXIMUM RATINGS (Ta = 25°C)

MAXIMUM POWER DISSIPATION _____ 400 mW
 OPERATING TEMPERATURE RANGE _____ -30°C ~ 85°C
 STORAGE TEMPERATURE _____ -40°C ~ 85°C

STANDARD TOLERANCE (UNLESS OTHERWISE SPECIFIED)		MARL	MARL BUSINESS PARK, ULVERSTON, UK. LA12 9BN Tel: +44 (0)1229 582 430. Web: www.leds.co.uk
DECIMALS	ANGULAR		
.X ± .1	X° ± 1°		TITLE: IP67 Rated Panel Mount Indicator
.XX ± .02			PART NO: 661 Series
.XXX ± .010		Provisional	SHEET # 3 OF 3
CAD GENERATED DOCUMENT, DO NOT MEASURE DRAWING.			