

Shock-Safe Fuseholder, 5 x 20 mm, Slot, IP 40 / IP 65



Variant 2

250 VAC · 2.5W/10A (VDE)10A (UL/CSA)



Description

- IP 40 or IP 65 from frontside
- Screw type fuse carrier

Standards

- IEC 60127-6
- UL 4248-1 / UL 512
- CSA C22.2 no. 39

Approvals

- VDE Certificate Number: 133472
- UL File Number: E39328
- CSA File Number: 38456

Weblinks

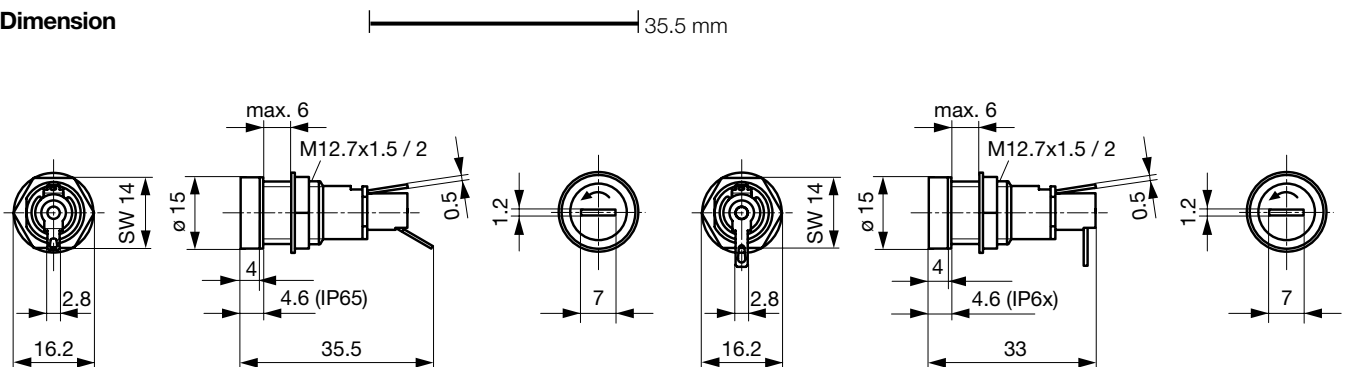
[pdf-datasheet](#), [html-datasheet](#), [General Product Information](#), [Approvals](#), [CE declaration of conformity](#), [RoHS](#), [CHINA-RoHS](#), [e-Shop](#), [SCHURTER-Stock-Check](#), [Distributor-Stock-Check](#), [Detailed request for product](#)

Technical Data

| | |
|------------------------------|---|
| Shock-Safe Category | PC2 |
| Fuse-Link | 5 x 20 mm |
| Mounting | Panel Mount, Front Side |
| Mounting | Fixing Nut |
| Terminal | Solder or Quick-Connect 2.8 x 0.5 mm |
| Rated Voltage | 250 VAC |
| Rated current | 10A (VDE), 10A (UL/CSA) |
| Rated Power Acceptance IEC | 2.5W / 10A @ Ta 23°C Admissible power acceptance at higher ambient temperature see derating curves |
| Degree of Protection | IP 40 / IP 65 |
| Protection Class | Suitable for appliances with protection class I or II acc. to IEC 61140 |
| Admissible Ambient Air Temp. | -40°C to 85°C |
| Climatic Category | 40/085/21 acc. to IEC 60068-1 |
| Material: Socket | Thermoset, black, UL 94V-0 |
| Material: Terminals | Tin-Plated Copper Alloy |
| Unit Weight (Socket/Cap) | 5.95 g |
| Storage Conditions | 0°C to 60°C, max. 70% r.h. |
| Product Marking | Type, Rated voltage, Current, Approvals |

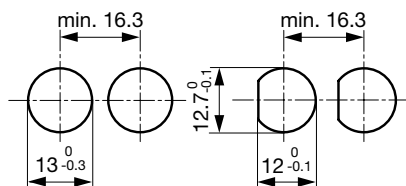
| | |
|---------------------------------|---|
| Soldering Methods | Iron |
| Solderability | 350°C / 2 sec acc. to IEC 60068-2-20, Test Ta, method 2 |
| Resistance to Soldering Heat | 350°C / 10 sec acc. to IEC 60068-2-20, Test Tb, method 2 |
| Contact Resistance | < 5 mΩ at 20 mV |
| Dielectric Strength | > 3kV > 4kV between L/N-PE (50Hz; 1 min) |
| Impulse Withstand Voltage | > 4kV between L-N > 6kV between L/N-PE |
| Insulation Resistance | > 10 MΩ between L-N > 100 MΩ between L/N-PE (500 VDC; 1 min) |
| Overvoltage Category | I - III acc. to IEC 60664-1 |
| Pollution Degree | 1 - 3 acc. to IEC 60664-1 |
| Admissible Torque on Fixing Nut | max 1.2 Nm |
| Panel Thickness s | max 6 mm |

Dimension



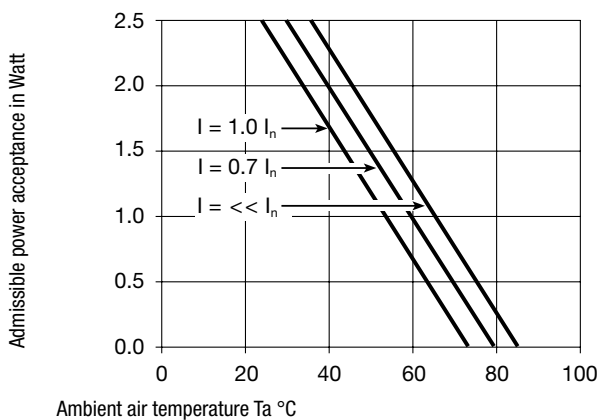
Variants 0031.1361 and 0031.1381

Variants 0031.1363 and 0031.1383



Mounting holes

Derating Curves



All Variants

| Holder | Cap | Terminal | Position End-Terminal | Degree of Protection | Order Number |
|--------|-----------|----------|-----------------------|----------------------|--------------|
| ● | Slot Knob | Solder | 30° to Fuse Axis | IP 65 | 0031.1361 |
| ● | Slot Knob | Solder | 90° to Fuse Axis | IP 65 | 0031.1363 |
| ● | Slot Knob | Solder | 30° to Fuse Axis | IP 40 | 0031.1381 |
| ● | Slot Knob | Solder | 90° to Fuse Axis | IP 40 | 0031.1383 |

Most Popular.

Availability for all products can be searched real-time: <http://www.schurter.com/en/Stock-Check/Stock-Check-SCHURTER>

Quick-Connect Terminals on Request

Packaging Unit Bulk (100 pcs.)