

Voltage selector switch with fuseholder, 6 stages, step switch, panel mounting



Description

- Voltage Selector, with fuseholder, 6 stages
- Step switch
- For 5 x 20 mm fuse-links
- Solder terminals

Standards

- IEC 61058-2-5
- UL 508
- CSA C22.2 no. 55

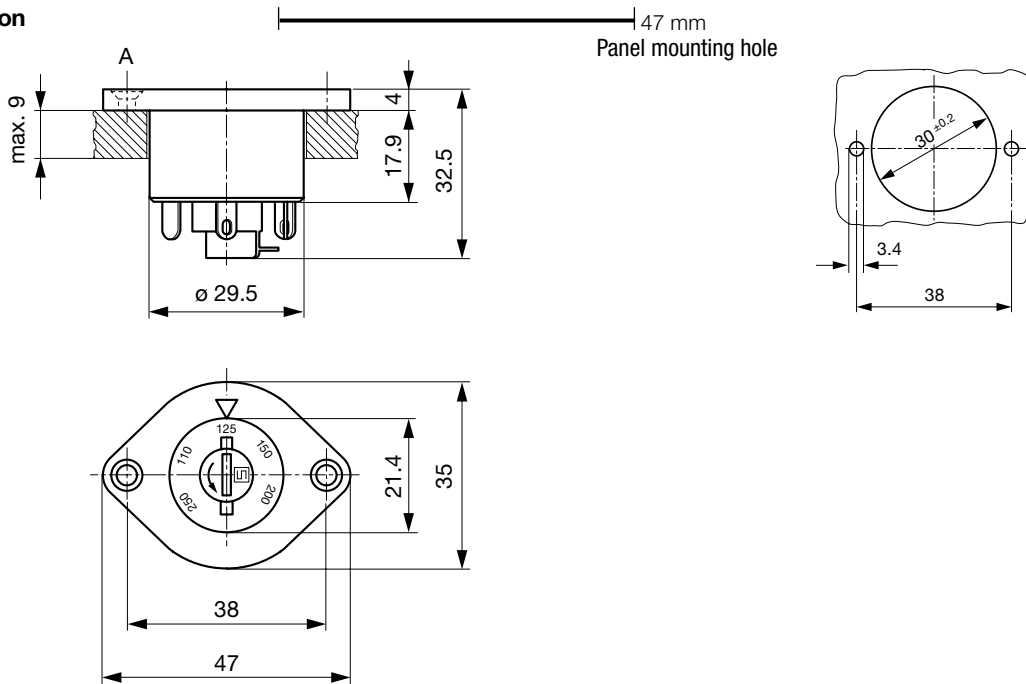
Weblinks

[pdf-datasheet](#), [html-datasheet](#), [General Product Information](#), [Approvals](#), [CE declaration of conformity](#), [RoHS](#), [CHINA-RoHS](#), [e-Shop](#), [SCHURTER-Stock-Check](#), [Distributor-Stock-Check](#), [CAD-Drawings](#), [Detailed request for product](#)

Technical Data

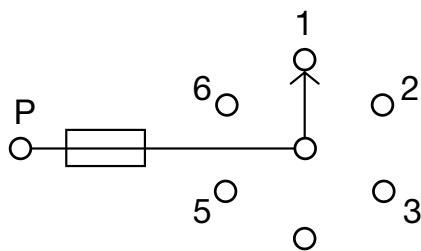
Ratings	IEC: 6.3 A / 250 VAC; 50 Hz	Solderability	350 °C / 2 sec acc. to IEC 60068-2-20, Test Ta, method 2	
	UL: 6.3 A / 250 VAC; 60 Hz		Resistance to Soldering Heat	350 °C / 10sec acc. to IEC 60068-2-20, Test Tb, method 2
	CSA: 10 A / 250 VAC; 60 Hz			Insulation Resistance
Mounting	Panel Mount from front side	Contact Resistance	< 10mΩ at 20 mV	
Fastening	Screw-on mounting	Dielectric Strength	> 2kVAC between L-N > 4kVAC between L/N-PE (1min; 50Hz)	
Terminal	Solder	Clearance and Creepage Distance	> 3mm > 8mm between L/N-PE	
Number of Stages	6	Resistance to Vibration	acc. to IEC 60068-2-6, test Fc	
Lifetime	300 operating cycles (without load)			
Degree of Protection	IP 40			
Shock-Safe Category	PC2			
Protection Class	Suitable for appliances with protection class II acc. to IEC 61140			
Allowable Operation Temp.	-40 °C to 70 °C			
Climatic Category	25/85/21 acc. to IEC 60068-1			
Material: Socket	Thermoplastic, black, UL 94V-0			
Weight	20.4 g			

Dimension



A) Hole for M3

Diagrams



All Variants

Letterings						Order Number
Stage 1	Stage 2	Stage 3	Stage 4	Stage 5	Stage 6	
110	125	150	200	220	250	0033.1500
			220	230	240	0033.1502
100	110	120	200	220	240	0033.1504
1	2	3	4	5	6	0033.1510
100	110	120	220	230	240	0033.1511
200	208	220	230	240		0033.1513
						0033.1514
110	130	220	240			0033.1515
100	120	220	240			0033.1517
	100	120	220	240		0033.1518
100	115	220	240			0033.1520
100 V	120 V	200 V	220 V	230 V	240 V	0033.1523

Letterings						Order Number
Stage 1	Stage 2	Stage 3	Stage 4	Stage 5	Stage 6	
200	220	230	240	250		0033.1525

Availability for all products
can be searched real-
time:<http://www.schurter.com/en/Stock-Check/Stock-Check-SCHURTER>

Packaging Unit 50 Pcs
