

IEC Appliance Inlet C8, Screw-on Mounting, Front Side, Solder or Quick-connect or Print Terminal



C8  
  
70° C



**Description**

- Panel Mount:  
Screw-on mounting, from front side
- 1 Function:

- Appliance Inlet, Pin temperature 70 °C, Protection class II
- Solder, Quick Connect or PCB Terminal

**Approvals**

- VDE Certificate Number: 40002274
- UL File Number: E96454
- CSA File Number: 27324

**Characteristics**

- Contact pins are turned from solid material

**Weblinks**

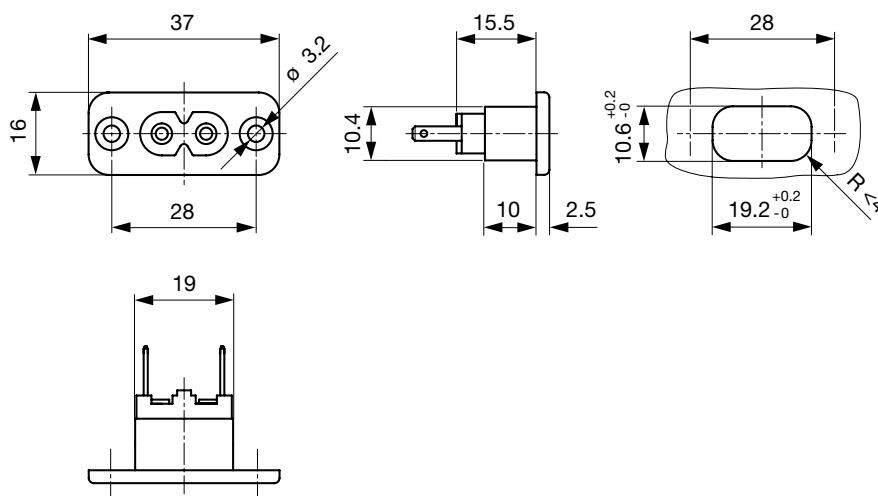
[pdf-datasheet](#), [html-datasheet](#), [General Product Information](#), [Approvals](#), [CE declaration of conformity](#), [RoHS](#), [CHINA-RoHS](#), [Mating Connectors](#), [e-Shop](#), [SCHURTER-Stock-Check](#), [Distributor-Stock-Check](#), [CAD-Drawings](#), [Accessories](#), [Detailed request for product](#)

**Technical Data**

|                           |  |
|---------------------------|--|
| Ratings IEC               | 2.5 A / 250 VAC; 50 Hz   |
| Ratings UL/CSA            | 2.5 A / 250 VAC; 60 Hz   |
| Dielectric Strength       | > 3 kVAC between L-N<br>> 1.5 kVAC between L/N-PE<br>(1 min/50 Hz) |
| Allowable Operation Temp. | -25 °C to 70 °C  |
| Degree of Protection      | from front side IP 20 acc. to IEC 60529                            |
| Protection Class          | Suitable for appliances with protection class II acc. to IEC 61140 |
| Material: Housing         | PA6, black or grey, UL 94V-0                                       |

|                 |  |
|-----------------|--|
| Appliance Inlet | C8 acc. to IEC 60320<br>UL 498, CSA C22.2 no. 42 (for cold conditions) pin-temperature 70 °C, 2.5 A, Protection Class II |
|-----------------|--|

**Dimensions**



Length of the terminal please find at the order code configuration table

**Config. Code**


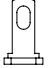



2571 - H - A B C 0 - D - E G F

The characters are placeholders for the correspondingly keys of selections from the key tables.

2571 - H - A B C 0 - D - E G F = Type

| Type               | Configuration key |
|--------------------|-------------------|
| protection class 2 | X                 |

2571 - H - A B C 0 - D - E G F = Terminals

| Terminal L   | Configuration key |
|--|-------------------|
| short solder terminal (L = 4.8 mm)  | 2                 |
| long solder terminal (L = 8.5 mm)   | 3                 |
| PCB-terminal (short)                | 5                 |
| PCB-terminal (long)                 | 6                 |
| Blade terminal (2.8 x 0.8 mm)       | 7                 |

2571 - H - A B C 0 - D - E G F = Terminals

| Terminal N                         | Configuration key |
|------------------------------------|-------------------|
| short solder terminal (L = 4.8 mm) | 2                 |
| long solder terminal (L = 8.5 mm)  | 3                 |
| PCB-terminal (short)               | 5                 |
| PCB-terminal (long)                | 6                 |
| Blade terminal (2.8 x 0.8 mm)      | 7                 |

Symbols similar as in table A

2571 - H - A B C 0 - D - E G F = Terminals

| Terminal Ground  | Configuration key |
|------------------|-------------------|
| without terminal | 0                 |

Symbols similar as in table A

2571 - H - A B C 0 - D - E G F = Color

| Color | Configuration key |
|-------|-------------------|
| Black | A                 |
| Grey  | B                 |

2571 - H - A B C 0 - D - E G F = Style

| Style                         | Configuration key |
|-------------------------------|-------------------|
| flange with countersunk holes | 1                 |
| flange with through holes     | 2                 |

2571 - H - A B C 0 - D - E G F = Dimension X

| Dimension "X" | Configuration key |
|---------------|-------------------|
| 00            |                   |

The dimension "X" is displayed in (1/10 mm). This information is also valid for the order code

2571 - H - A B C 0 - D - E G F = Orientation of Terminals

| Orientation of Terminals | Configuration key |
|--------------------------|-------------------|
| horizontal               | A                 |
| vertical                 | B                 |

All Variants

| Config. Code       | Description  | Order Number |
|--------------------|--|--------------|
| 2571-X-2200-A-100B | 2571, IEC Appliance Inlet C8, 70°C, , version: II, L: short solder terminal (L = 4.8 mm), N: short solder terminal (L = 4.8 mm), ground: without terminal, color: Black, design: flange with countersunk holes, dimension X: | 6160.0004    |
| 2571-X-3300-A-200B | 2571, IEC Appliance Inlet C8, 70°C, , version: II, L: long solder terminal (L = 8.5 mm), N: long solder terminal (L = 8.5 mm), ground: without terminal, color: Black, design: flange with through holes, dimension X:       | 6160.0006    |
| 2571-X-7700-A-100B | 2571, IEC Appliance Inlet C8, 70°C, , version: II, L: Blade terminal (2.8 x 0.8 mm), N: Blade terminal (2.8 x 0.8 mm), ground: without terminal, color: Black, design: flange with countersunk holes, dimension X:           | 6160.0007    |

The listed variants should be available from stock Other versions on request [www.schurter.com/contact](http://www.schurter.com/contact)

Most Popular.

Availability for all products can be searched real-time: <http://www.schurter.com/en/Stock-Check/Stock-Check-SCHURTER>

Packaging unit 100 Pcs