

IEC Appliance Inlet C22, Screw-on or Snap-in Mounting, Front Side, Quick connect, Solder or Screw Terminal



**Description**

- Panel Mount
- Snap-in or screw-on mounting, from front side
- 1 Function:
- Appliance Inlet, Pin temperature 155 °C, Protection class I
- Meets the requirements of IEC 60335-1 for appliances in unattended use. This includes the enhanced requirements of glow wire tests acc. to IEC 60695-2-12 and -13.
- Solder, Quick Connect or Screw Terminals

**Approvals**

- VDE Certificate Number: 2121405
- UL File Number: E96454

**References**

Alternative: version with line filter [C22F](#)

**Weblinks**

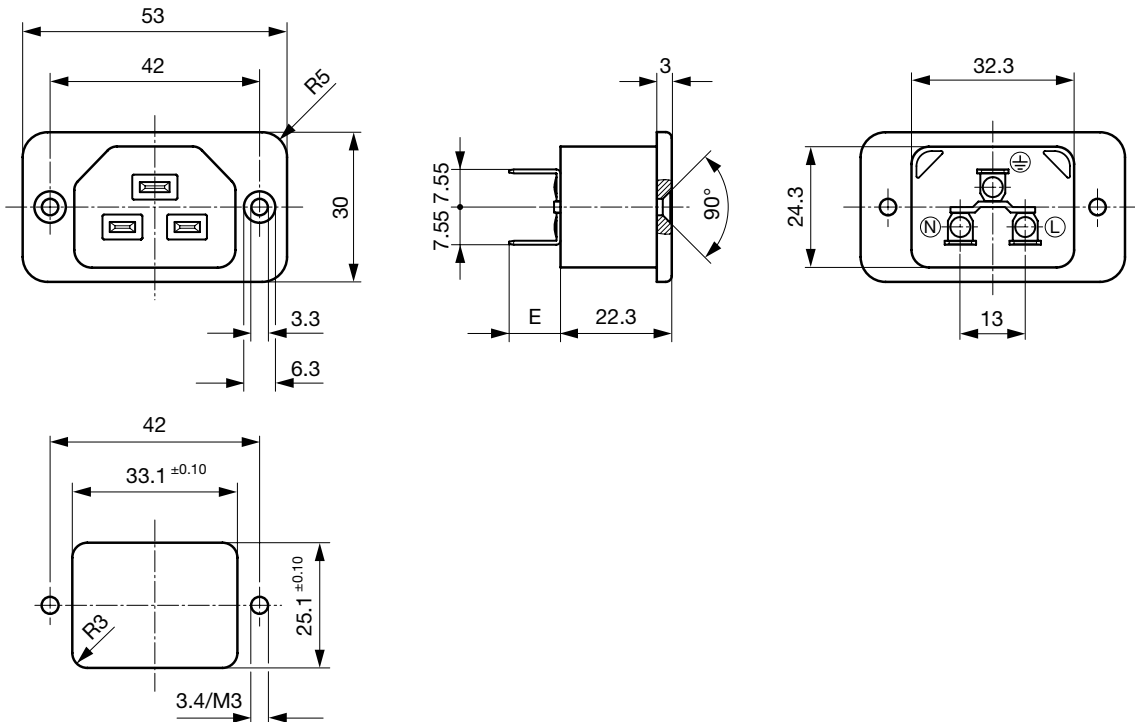
[pdf-datasheet](#), [html-datasheet](#), [General Product Information](#), [Approvals](#), [CE declaration of conformity](#), [RoHS](#), [CHINA-RoHS](#), [Mating Connectors](#), [e-Shop](#), [SCHURTER-Stock-Check](#), [Distributor-Stock-Check](#), [CAD-Drawings](#), [Accessories](#), [Detailed request for product](#)

**Technical Data**

Ratings IEC	16A / 250VAC; 50Hz	Appliance Inlet	C22 acc. to IEC 60320
Ratings UL/CSA	20A / 250VAC; 60Hz		UL 498, CSA C22.2 no. 42 (for hot conditions) pin-temperature 155 °C, 16A, Protection Class I
Dielectric Strength	> 6 kVAC between L-N > 4 kVAC between L/N-PE (1 min/50Hz)		
Allowable Operation Temp.	-25 °C to 155 °C		
Degree of Protection	from front side IP 20 acc. to IEC 60529		
Protection Class	Suitable for appliances with protection class I acc. to IEC 61140		
Terminal	Solder, Quick Connect or Screw Terminals		
Panel Thickness s	Snap-in version 1/1.5/2/2.5/3 mm		
Material: Housing	PA, black, UL 94V-0		

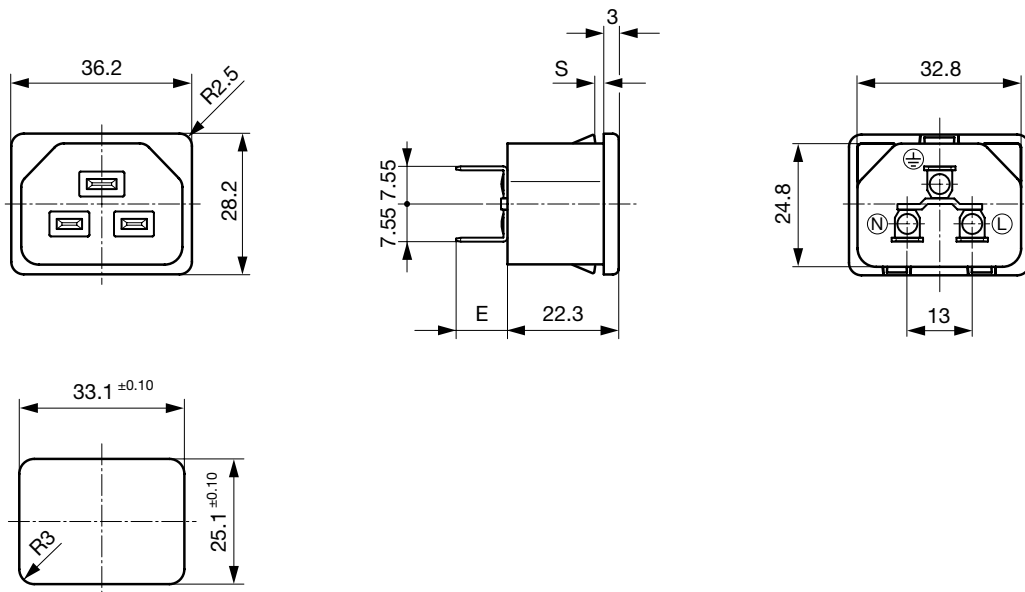
**Dimensions**

Screw-on mounting



- E: Quick-connect terminals 6.3x0.8 mm: 10.3 mm
- E: Quick-connect terminals 4.8x0.8 mm: 9.3 mm
- E: Solder terminals: 5.1 mm
- E: Screw terminals: 10.3 mm

Snap-in mounting



- E: Quick-connect terminals 6.3x0.8 mm: 10.3 mm
- E: Quick-connect terminals 4.8x0.8 mm: 9.3 mm
- E: Solder terminals: 5.1 mm
- E: Screw terminals: 10.3 mm

## Config. Code


1681 - H - A B C 0 - D - E G

The characters are placeholders for the correspondingly keys of selections from the key tables.

1681 - H - A B C 0 - D - E G = Type

Type	Configuration key
protection class 1	X

1681 - H - A B C 0 - D - E G = Terminals

Terminal L	Configuration key
Blade terminal (6.3 x 0.8 mm) 	9
screw terminal	A
solder terminal (L = 5.1 mm)	D

1681 - H - A B C 0 - D - E G = Terminals

Terminal N	Configuration key
Blade terminal (6.3 x 0.8 mm)	9
screw terminal	A
solder terminal (L = 5.1 mm)	D

Symbols similar as in table A

1681 - H - A B C 0 - D - E G = Terminals

Terminal Ground	Configuration key
Blade terminal (6.3 x 0.8 mm)	9
screw terminal	A

Symbols similar as in table A

Terminal Ground	Configuration key
solder terminal (L = 5.1 mm)	D

Symbols similar as in table A

1681 - H - A B C 0 - D - E G = Color

Color	Configuration key
Black	A

1681 - H - A B C 0 - D - E G = Style

Style	Configuration key
flange with countersunk holes	1
snap-in (x=panel thickness)	4

1681 - H - A B C 0 - D - E G = Dimension X

Dimension "X"	Configuration key
10	
15	
20	
25	
30	

The dimension "X" is displayed in ( $1/10$  mm). This information is also valid for the order code

## All Variants

Config. Code	Description	Order Number
1681-X-DDD0-A-1	1681, IEC Appliance Inlet C22, 155°C, version: I, L: solder terminal (L = 5.1 mm), N: solder terminal (L = 5.1 mm), ground: solder terminal (L = 5.1 mm), color: Black, design: flange with countersunk holes, dimension X:	6173.0001
1681-X-9990-A-1	1681, IEC Appliance Inlet C22, 155°C, version: I, L: Blade terminal (6.3 x 0.8 mm), N: Blade terminal (6.3 x 0.8 mm), ground: Blade terminal (6.3 x 0.8 mm), color: Black, design: flange with countersunk holes, dimension X:	6173.0003
1681-X-AAA0-A-1	1681, IEC Appliance Inlet C22, 155°C, version: I, L: screw terminal, N: screw terminal, ground: screw terminal, color: Black, design: flange with countersunk holes, dimension X:	6173.0004
1681-X-DDD0-A-410	1681, IEC Appliance Inlet C22, 155°C, version: I, L: solder terminal (L = 5.1 mm), N: solder terminal (L = 5.1 mm), ground: solder terminal (L = 5.1 mm), color: Black, design: snap-in (x=panel thickness), dimension X: 10	6173.0009
1681-X-DDD0-A-415	1681, IEC Appliance Inlet C22, 155°C, version: I, L: solder terminal (L = 5.1 mm), N: solder terminal (L = 5.1 mm), ground: solder terminal (L = 5.1 mm), color: Black, design: snap-in (x=panel thickness), dimension X: 15	6173.0010
1681-X-DDD0-A-420	1681, IEC Appliance Inlet C22, 155°C, version: I, L: solder terminal (L = 5.1 mm), N: solder terminal (L = 5.1 mm), ground: solder terminal (L = 5.1 mm), color: Black, design: snap-in (x=panel thickness), dimension X: 20	6173.0011
1681-X-DDD0-A-425	1681, IEC Appliance Inlet C22, 155°C, version: I, L: solder terminal (L = 5.1 mm), N: solder terminal (L = 5.1 mm), ground: solder terminal (L = 5.1 mm), color: Black, design: snap-in (x=panel thickness), dimension X: 25	6173.0012
1681-X-DDD0-A-430	1681, IEC Appliance Inlet C22, 155°C, version: I, L: solder terminal (L = 5.1 mm), N: solder terminal (L = 5.1 mm), ground: solder terminal (L = 5.1 mm), color: Black, design: snap-in (x=panel thickness), dimension X: 30	6173.0013
1681-X-9990-A-410	1681, IEC Appliance Inlet C22, 155°C, version: I, L: Blade terminal (6.3 x 0.8 mm), N: Blade terminal (6.3 x 0.8 mm), ground: Blade terminal (6.3 x 0.8 mm), color: Black, design: snap-in (x=panel thickness), dimension X: 10	6173.0019
1681-X-9990-A-415	1681, IEC Appliance Inlet C22, 155°C, version: I, L: Blade terminal (6.3 x 0.8 mm), N: Blade terminal (6.3 x 0.8 mm), ground: Blade terminal (6.3 x 0.8 mm), color: Black, design: snap-in (x=panel thickness), dimension X: 15	6173.0020

Config. Code	Description	Order Number
1681-X-9990-A-420	1681, IEC Appliance Inlet C22, 155°C, version: I, L: Blade terminal (6.3 x 0.8 mm), N: Blade terminal (6.3 x 0.8 mm), ground: Blade terminal (6.3 x 0.8 mm), color: Black, design: snap-in (x=panel thickness), dimension X: 20	6173.0021
1681-X-9990-A-425	1681, IEC Appliance Inlet C22, 155°C, version: I, L: Blade terminal (6.3 x 0.8 mm), N: Blade terminal (6.3 x 0.8 mm), ground: Blade terminal (6.3 x 0.8 mm), color: Black, design: snap-in (x=panel thickness), dimension X: 25	6173.0022
1681-X-9990-A-430	1681, IEC Appliance Inlet C22, 155°C, version: I, L: Blade terminal (6.3 x 0.8 mm), N: Blade terminal (6.3 x 0.8 mm), ground: Blade terminal (6.3 x 0.8 mm), color: Black, design: snap-in (x=panel thickness), dimension X: 30	6173.0023

The listed variants should be available from stock. Other versions on request: [www.schurter.com/contact](http://www.schurter.com/contact)

Availability for all products can be searched real-time: <http://www.schurter.com/en/Stock-Check/Stock-Check-SCHURTER>

**Packaging unit** 50 Pcs

## Mating Outlets/Connectors

### Category / Description



[Interconnection Cord Overview complete](#)

IEC Interconnection cord with IEC Connector C21, straight

6051.5003

[Interconnection Cord further types to 1681](#)



[Power Supply Cord Overview complete](#)

EU Power Supply Cord with IEC Connector C21, straight

6051.5001

US Power Supply Cord with IEC Connector C21, straight

6051.5002

CN Power Supply Cord with IEC Connector C21, straight

6051.5004

[Power Supply Cord further types to 1681](#)