

Ground wire choke, open design



**Description**

- Ground wire chokes (earth line chokes)
- THT-terminals

**Standards**

- EN 60938

**Applications**

- Separating the main earth line to periphery devices
- This type of chokes permits the building of a system free of ground wire loops

**Weblinks**

[pdf-datasheet](#), [html-datasheet](#), [General Product Information](#), [Approvals](#), [CE declaration of conformity](#), [RoHS](#), [CHINA-RoHS](#), [e-Shop](#), [SCHURTER-Stock-Check](#), [Distributor-Stock-Check](#), [Detailed request for product](#)

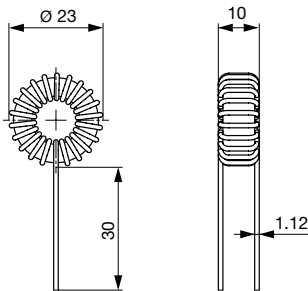
**Technical Data**

Rated Current	16 - 25A @ Ta 40 °C
Rated inductance	2 - 4mH
Power Operating Frequency	< 5MHz
Terminal technic	THT
Material: Housing	UL 94V-0
Sealing Compound	UL 94V-0

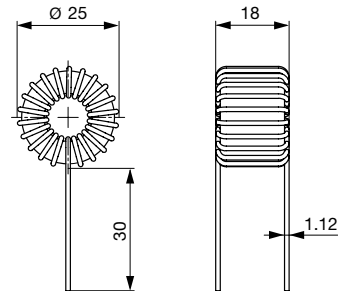
Isolation Voltage	2kV eff., winding to ambient
Climatic Category	25/100/21 acc. to IEC 60068-1
Allowable Operation Temp.	-25 °C to 100 °C

**Dimension**

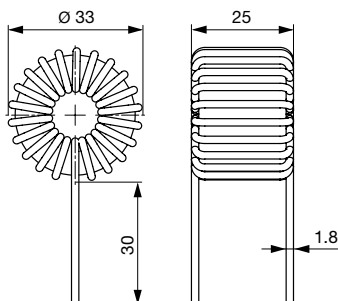
DENO-23-0001



DENO-25-0001



DENO-40-0001



## All Variants

$I_n$ [A]	$L_n$ [mH]	$R_{cu}$ [mΩ]	$f_{RES}$ [MHz]	Weight [g]	Packing unit [pcs.]	Order Number	
16	2	15	0.3	13 g	100	DENO-23-0001	■
16	4	27	0.3	25 g	50	DENO-25-0001	■
25	4	10	0.3	20 g	50	DENO-40-0001	

■ Most Popular.

Availability for all products can be searched real-time:<http://www.schurter.com/en/Stock-Check/Stock-Check-SCHURTER>