

Fuse Carriage with Handle for OGN, OGN-SMD

new



2.5W/10A



Description

- Better access to fuse-links on PCB's

Applications

- Printed circuit boards with tightly packed components. Colour coding allows for quick and safe replacement of fuses.

References

Mating adapter to [OGN](#); [OGN-SMD](#)
Last order date for color blue: 31.12.2014

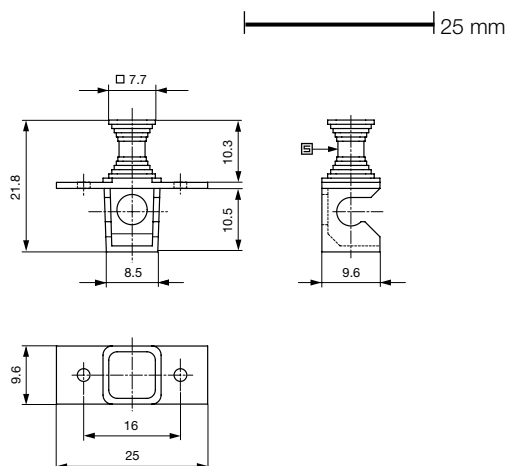
Weblinks

[pdf-datasheet](#), [html-datasheet](#), [General Product Information](#), [Approvals](#), [CE declaration of conformity](#), [RoHS](#), [CHINA-RoHS](#), [e-Shop](#), [SCHURTER-Stock-Check](#), [Distributor-Stock-Check](#), [Detailed request for product](#)

Technical Data

Fuse-Link	5 x 20 mm
Rated Power Acceptance IEC	2.5 W / 10 A @ Ta 23 °C
Admissible Ambient Air Temp.	-40 °C to 85 °C
Material: Cover	Thermoplastic black / white / blue UL 94V-0
Storage Conditions	0 °C to 60 °C, max. 70% r.h.

Dimension



All Variants

Color	Order Number
black	0853.1201
white	0853.1202
blue	0853.1203

Most Popular.

Availability for all products can be searched real-time: <http://www.schurter.com/en/Stock-Check/Stock-Check-SCHURTER>

Packaging Unit	Bulk (100 pcs.)
-----------------------	-----------------
