

SPECIFICATION FOR APPROVAL

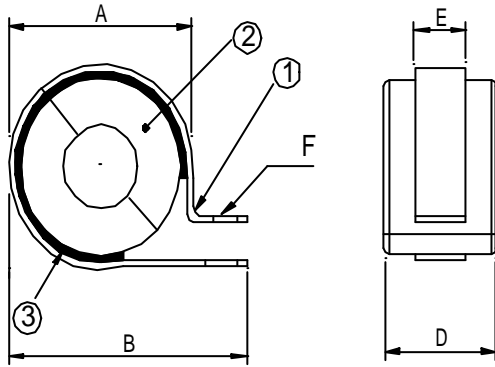
CUSTOMER:

2003/3/3

ITEM: . TRCN-40-27-15

REF NO:

(1) DIMENSION (Unit: mm)



A	45.20	+ -	1.00	mm
B	58.20	+ -	1.00	mm
		+ -		mm
D	15.00	+ -	0.50	mm
E	13.30	+ -	1.00	mm
		+ -		mm
		+ -		mm
		+ -		mm
		+ -		mm

(2) ELECTRICAL REQUIREMENTS:

REMARK:

core material: F5B

Z	40	- 0	TEST FREQ	25 MHz
Z	100	- 0	TEST FREQ	100MHz
Z	140	- 0	TEST FREQ	25 MHz
Z	350	- 0	TEST FREQ	100MHz
			TEST FREQ	
COIL DATA	Qo=		TEST FREQ	
	Lo=	PF		
Winding	0.65	X	120 mm	2U.E.W
	0.65	X	120 mm	2 TS

(3) TEST INSTRUMENTS

1. IMPEDANCE ANALYZER HP4191A

DRAWN 范志榮 2003/3/3	CHECKED DATE	APPROVED 古盛癸 DATE	ISSUE NO. JOX-RC-256
--------------------------	---------------------	-------------------------	-------------------------

INSPECTION DATA

ISSUE NO:J0X-RC-256

CUSTOMER				DATE	2003/3/3	Quantity	pcs
PART NO.	TRCN-40-27-15						
ITEM	.						
COIL SPEC	0.65 X 120 mm 2 U.E.W 1 TS						
COIL DATA	Q0=	CO=	(PF)				
TEST FREQ	F0=	Hz	Ft=25,100 MHz				
TEMPERATURE	25	Humidity	83 %				

	ELECTRIC CHAREC.				DIMENSION(Unit:mm)								
	Z(25)	Z(100)	Z(25)	Z(100)	A	B	C	D	E	F	G	H	I
SP	40.00	100.00	140.0	350.0	45.20	58.20		15.00	13.30				
+					1.00	1.00		0.50	1.000				
-	0	0	0	0	1.00	1.00		0.50	1				
1	50.77	122.0	170.5	406.0									
2	50.49	123.0	168.0	412.0									
3	49.50	122.3	173.0	409.0									
4	49.60	120.7	172.0	408.0									
5	49.80	122.0	169.0	412.0									
6	50.40	122.4	169.0	405.0									
7	50.15	122.0	171.0	406.0									
8	50.46	121.5	170.0	409.0									
9	50.22	122.4	172.0	405.0									
10	49.98	121.9	169.0	405.0									
X	50.14	122.0	170.4	407.7									
R	1.27	2.30	5.00	7.00									

TEST INSTRUMENTS

1. IMPEDANCE ANALYZER HP4191A

INSP No:

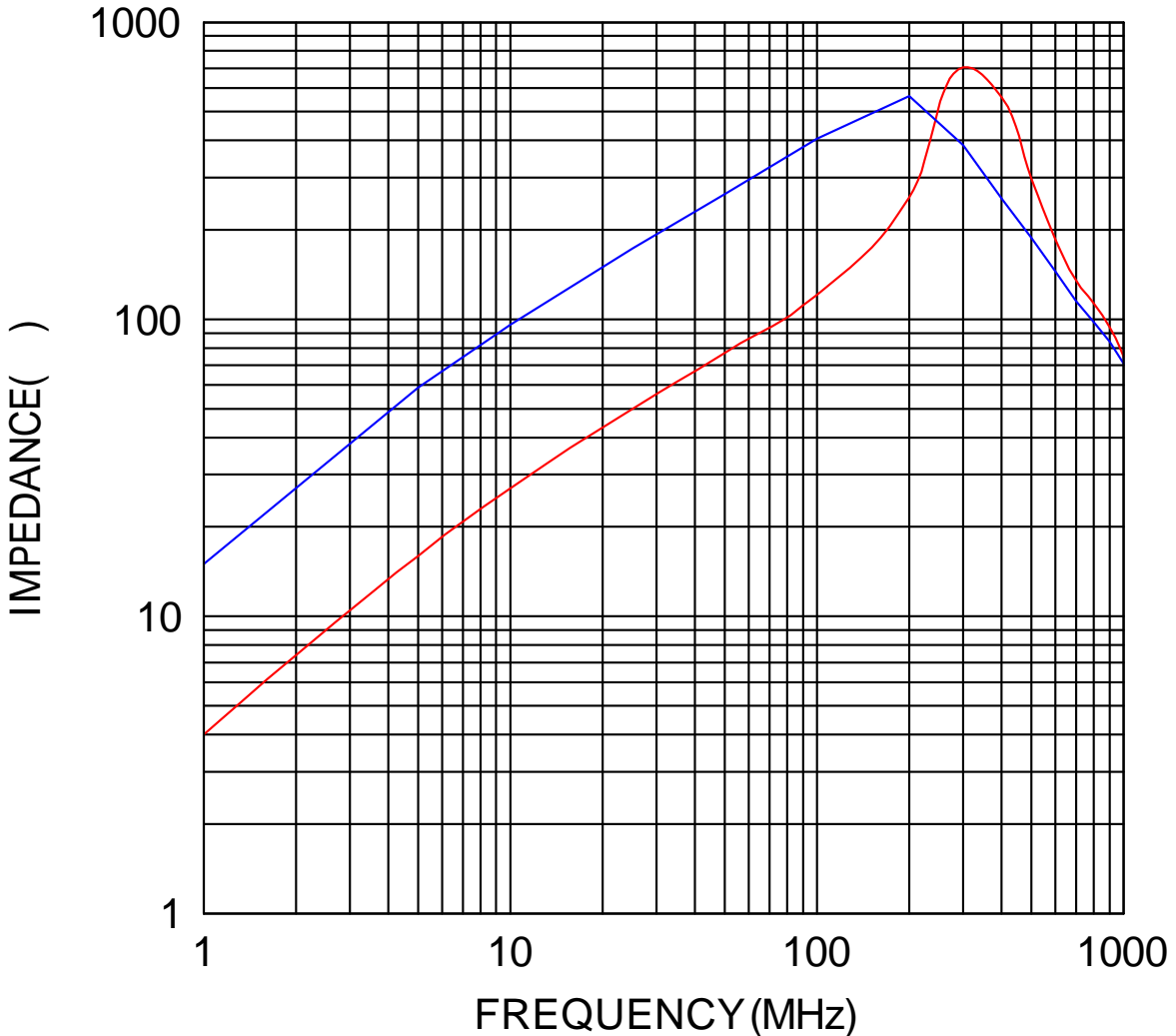
REMARK:

Inspected	Checked	Approved
范志榮 2003/3/3		古盛癸

Z-F RESPONSE

1. TEST INSTRUMENT:HP4191A

2. WINDING:0.65X120 mm 2 U.E.W 1Ts/ 2Ts



	1	5	10	25	50	100	200	300	400	500	600	700	800	900	1000
Z(2Ts) —	15	59	96	173	264	405	563	386	255	188	145	115	98	84	71
Z(1Ts) —	4	16	27	50	77	121	257	705	559	298	186	135	113	94	75

(DATA BETWEEN 500MHz AND 1000MHz ARE FOR REFERENCE ONLY)