

Euro Power Supplies - 6W to 24W **PowerPax**



Features:

- Universal / Full range AC input
- Fixed Euroean pins
- Fully enclosed attractive plastic case
- Small & Compact design
- Cost effective and high reliability
- Protections Over Voltage, Short circuit & Over Current
- Safety approved & Energy Efficient
- Level V ErP/EuP efficiency compliant
- MTBF >50,000 hours
- Also available as UK, USA and Australian versions

Safety & Emissions:

CE, TUV GS, LPS

EMI Conduction & Radiation: Compliance to EN55022 Class B

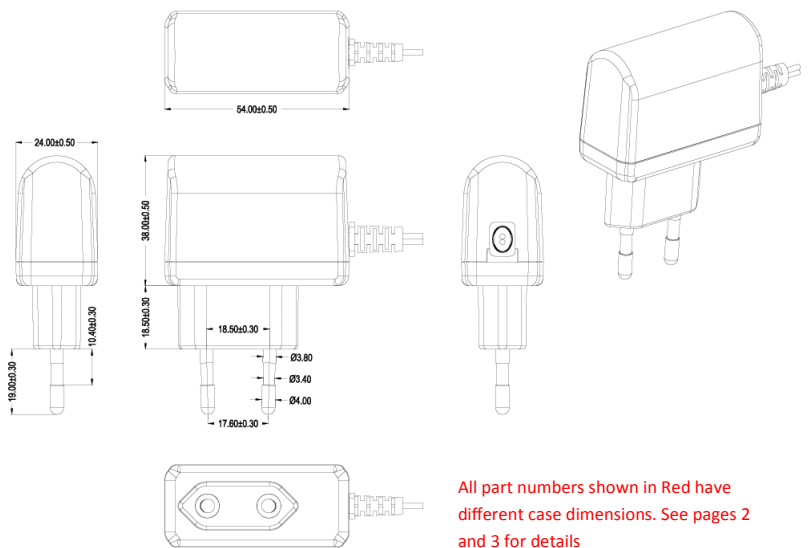
Harmonic current: Compliance to EN61000-3-2, 3

EMS Immunity: Compliance to EN61000-4-2, 3, 4, 5, 6, 8, 11

Efficiency: Energy Star level V, Erp Stage 2, gems & NRCAN certified, CEC V



Current Min.	0.01A
Input current	0.18A max
Load Regulation	+/-5 % Typical
DC Cord	1.8 Metres
DC Plug	See table below
Polarity	+ve centre
Rated Input Voltage	90-264vac Max
Weight	98g to
Hi-Pot Spec	3KVAC 10mA 1 min. (I.P. to O.P.)
No load power consumption	0.1W max
Operating Temperature	0 to 40 degrees C
Storage Temperature	-20 to 80 degrees C
Operating Humidity	10% to 90%
Rated Frequency	50-60Hz (47/63Hz max)
Efficiency	Meets ErP stage 2



All part numbers shown in Red have different case dimensions. See pages 2 and 3 for details

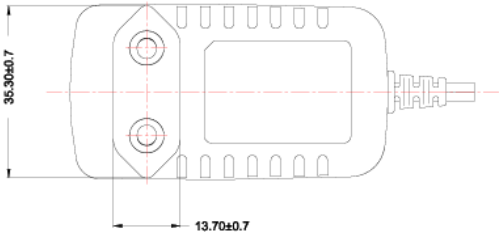
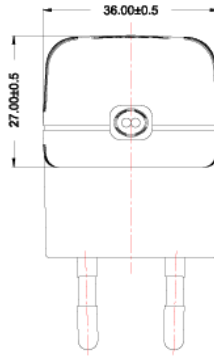
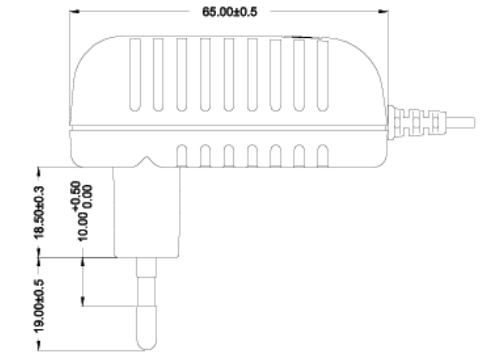
Part number	Output	Power	Input connector	Output connector
SW4304B	5vdc 1 Amp	5 Watts	Euro Fixed	2.5 x 5.5 x 12mm straight Polarity +ve centre
SW4305B	6vdc 1 Amp	5 Watts	Euro Fixed	2.5 x 5.5 x 12mm straight Polarity +ve centre
SW4306-C	9vdc 0.66 Amp	6 Watts	Euro Fixed	2.5 x 5.5 x 12mm straight Polarity +ve centre
SW4307B	12vdc 0.5 Amp	6 Watts	Euro Fixed	2.5 x 5.5 x 12mm straight Polarity +ve centre
SW4308-B	15vdc 0.5 Amp	7.5 Watts	Euro Fixed	2.5 x 5.5 x 12mm straight Polarity +ve centre
SW4309-B	24vdc 0.5 Amp	12 Watts	Euro Fixed	2.5 x 5.5 x 12mm straight Polarity +ve centre
SW4310B	5vdc 1 Amp	5 Watts	Euro Fixed	2.1 x 5.5 x 12mm straight Polarity +ve centre
SW4311B	9vdc 0.66 Amp	6 Watts	Euro Fixed	2.1 x 5.5 x 12mm straight Polarity +ve centre
SW4312-C	12vdc 0.5 Amp	6 Watts	Euro Fixed	2.1 x 5.5 x 12mm straight Polarity +ve centre
SW4313B	15vdc 0.5 Amp	7.5 Watts	Euro Fixed	2.1 x 5.5 x 12mm straight Polarity +ve centre
SW4314B	24vdc 0.5 Amp	12 Watts	Euro Fixed	2.1 x 5.5 x 12mm straight Polarity +ve centre
SW4526	12vdc 1 Amp	12 Watts	Euro Fixed	2.1 x 5.5 x 12mm straight Polarity +ve centre
SW3526	12vdc 1.25 Amp	15 Watts	Euro Fixed	2.1 x 5.5 x 12mm straight Polarity +ve centre
SW4525	12vdc 2 Amp	24 Watts	Euro Fixed	2.1 x 5.5 x 12mm straight Polarity +ve centre



Other DC output connectors and negative centre polarity can be provided on request

Full specification documents on each part included in this data sheet are available on request from PowerPax UK Ltd. PowerPax accepts no responsibility for typographical errors in the production of this datasheet. Product specifications are subject to change without notice. The product image shown is representative of entire range.

Euro Power Supplies - 6W to 24W *PowerPax*

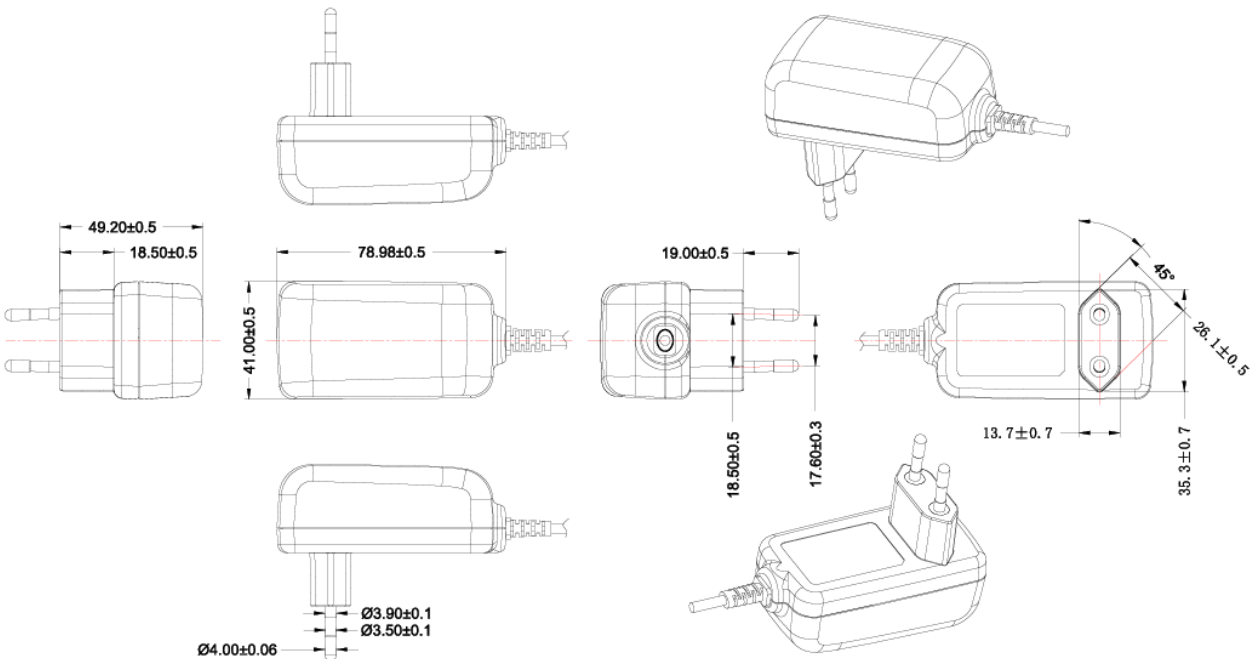


Case dimensions on left for part numbers

SW4308-B

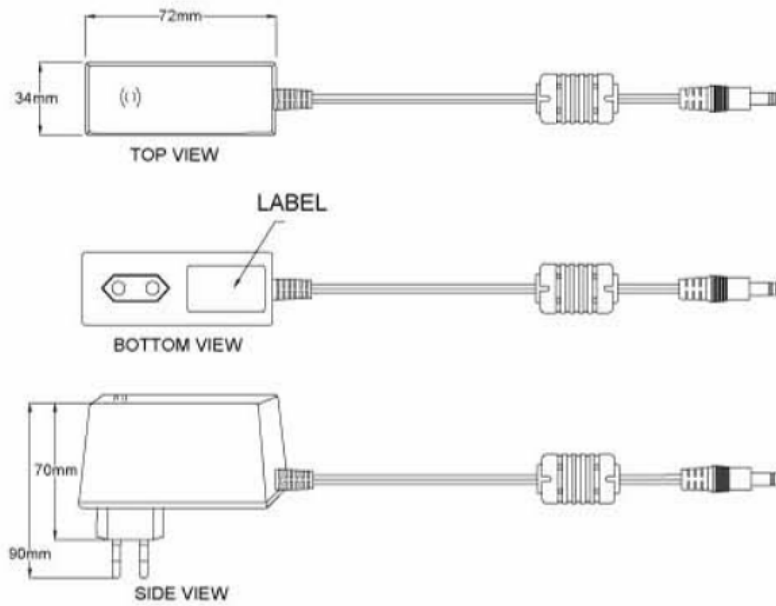
SW4313B

Case dimensions below for part numbers SW4309-B, SW4314B, SW4526,



Euro Power Supplies - 6W to 24W *PowerPax*

Case dimensions below for part number SW3526



Case dimensions below for part number SW4525 (12vdc 2A Euro power supply)

