

Number of contacts

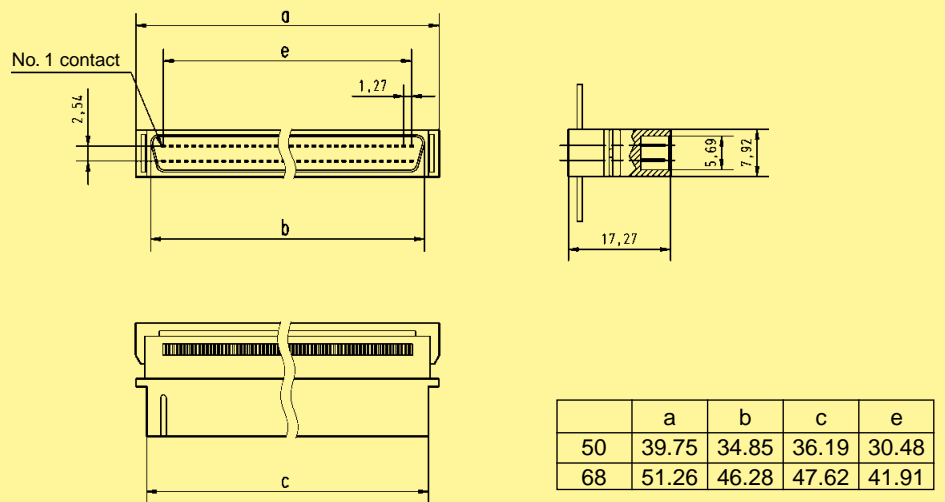
50–68



Connectors with IDC termination

| Identification | No. of contacts | Part No. | |
|--|-----------------|----------------|----------------|
| Male connectors with insulation displacement termination for IDC flat cable pitch 0.635 mm AWG 30 Strain relief order separately | | Male connector | Strain relief |
| | 50 | 60 06 050 5440 | 60 06 050 9001 |
| | 68 | 60 06 068 5440 | 60 06 068 9001 |

Dimensions



Strain relief

